



ECORICH

HYBRID HYDRAULIC UNIT **ECORICH**

New Products

New Launch with
Full Model Change!

Surpassing IE4 class

Excluded from high-efficiency
motor regulations



Debut of NEW ECRICH

Highly efficient IPM motors now incorporated,
for substantial energy-saving effects and low heat generation

DAIKIN INDUSTRIES, LTD.

Oil Hydraulic Division
Oil Hydraulic Equipment

Features

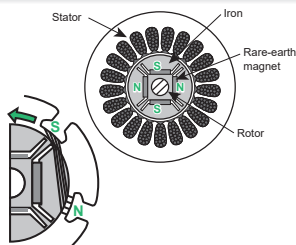
Figures compared to conventional Design 30 series products

- “ECORICH”, a hybrid hydraulic system that realized the world’s first fusion of hydraulics technology with Daikin’s exceptional air conditioning motor/inverter technology, has been a trend setter for energy savings in the hydraulics field.
- “ECORICH” has now undergone a model change involving incorporation of highly efficient IPM motors. The significant improvement in energy savings and low heat generation contribute to greater plant energy savings.

Fundamental principle of the IPM motor

With a rare-earth permanent magnet deeply embedded in the rotor, the IPM motor uses an electromagnetic structure that maximizes magnetic torque (attractive/repulsive force between the coil and permanent magnet) and reluctance torque (force of the coil that attracts iron). This structure achieves high torque and maximum efficiency while suppressing heat generation.

Structure of the IPM motor



IPM motor drive system (Interior permanent magnet synchronous motor)

Since the magnetic field lines at the south pole side are made longer than those at the north pole side, the magnetic field lines at the south pole will try to shorten like a stretched rubber band contracts, resulting in rotational force due to reluctance torque in the direction indicated by arrow.

“Double torque” improves the energy-saving effect.

Combining two rotational forces, “magnetic torque” generated by a powerful neodymium magnet*1 and “reluctance torque”², generates more power with less electricity.

Powerful neodymium magnets, the key to this improved energy-saving effect!

Ferrite magnet



Neodymium magnet



Neodymium magnets provide more power – substantially more than the ferrite magnets in general use.

*1: A compound of neodymium (Nd, rare-earth element), iron (Fe), and boron (B). Neodymium magnets are known to have superior magnetic properties.

*2: Rotational force generated by attractive force (reluctance = magnetic resistance) between iron and a magnet.

Feature 1

Energy savings / low heat generation

Power consumption: reduced 30%

The highly efficient IPM motor surpassing IE4 class further improves the energy-saving effect of the unit.

Oil temperature rise: Reduced by 5 °C

The user-friendly hydraulic unit realized by suppressing oil temperature rise reduces thermal influence on the machine, improves the environment at the machining site, and prevents degradation of hydraulic oil, extending the oil replacement interval.

Feature 2

Compact / lightweight

A more compact and lightweight unit offers a reduced footprint for easier installation.

Footprint: Reduced by 9% (all models)

Mass: Reduced by 40% (EHU1404/2504)

Feature 3

Environmental resistance

A more reliable controller improves environmental adaptability.

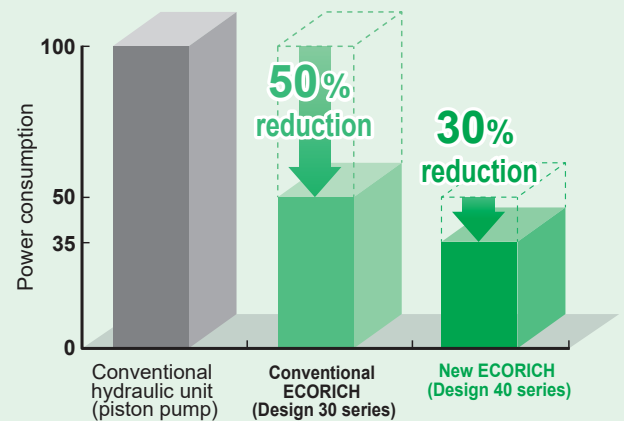
Max. ambient temperature: Increased from 35 °C to 40 °C

Dustproof and waterproof protection rating: IP44

Tank capacity: Increased from 10 L to 18 L

Achieves greater resistance to contamination and reduced oil level fluctuation.

Comparison of power consumption



* Conventional hydraulic unit taken to be 100

Feature 4

Excluded from high-efficiency motor regulations

Hassle-free design is assured by:

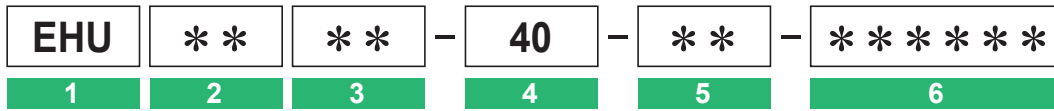
- Eliminating the need to replace motors for each destination
- Eliminating the need for design changes in accordance with amendments to the regulations

Feature 5

All models CE standard compliant

This facilitates CE approval of the machines.

Nomenclature



1 Model No.

- EHU: ECORICH Series

2 Maximum flow rate

- 14: 14 L/min
- 25: 25 L/min
- 30: 28 L/min

3 Maximum operating pressure

- 04: 4 MPa
- 07: 7 MPa

4 Design No.

- Design 40 series (Incremented at model changes)

5 Controller option (s) (in alphabetical order when combined)

- C: With RS422/485 communications function
- S: With separated power supplies for power and control lines
- N: No controller option and with unit options

6 [Unit option (up to 6 letters of the alphabet, a combination of those tabled below, in alphabetical order when combined)] or [Non-standard control number (3-digit number)]

- Unit options

Code	Description	Code	Description
F	Water fill test compliant tank	L	Level switch ("NO" contact)
M	Water leak test compliant tank	H	Level switch ("NC" contact)
J	Magnet separator	P	Temperature switch ("NC" contact)
B	Oil filler port (yellow cap)	K	Thermometer
G	Oil level gauge guard (yellow)	A	Mounting conversion plate for compatibility
E	Oil level gauge guard (black)		

- Examples of model codes

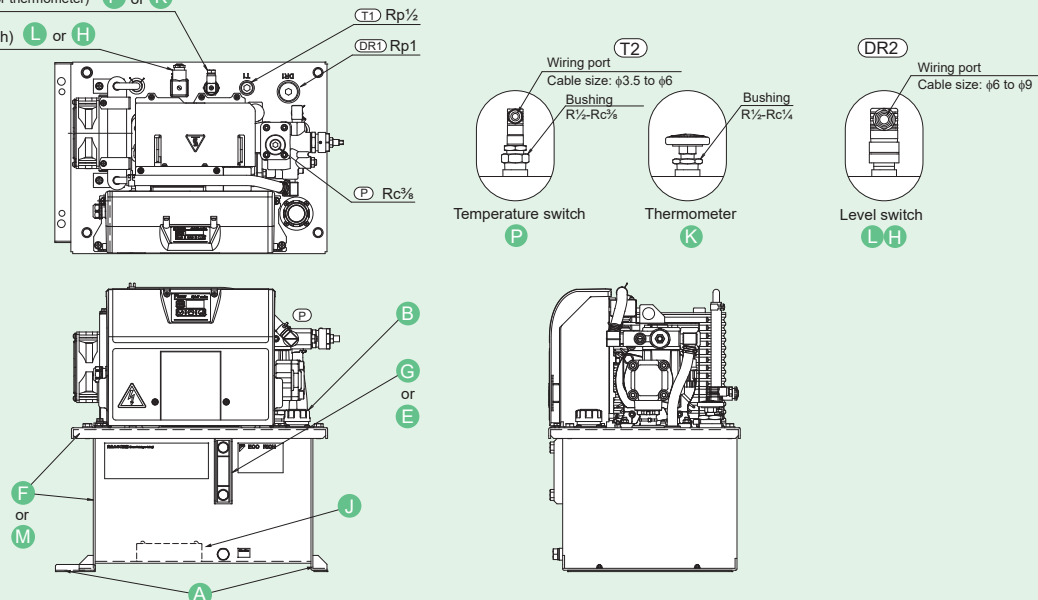
Controller option	Unit option	Model code
None	None	EHU1404-40
Featured	None	EHU1404-40-CS
None	Featured	EHU1404-40-N-AB
Featured	Featured	EHU1404-40-CS-AB

Detailed Explanation of Unit Options

Code	Description	Option model code (sold separately)	Notes
F	Water fill test compliant tank	–	These cannot be retrofitted, so please specify them when ordering the unit.
M	Water leak test compliant tank	–	
J	Magnet separator	E-MSB-110-01	–
B	Oil filler port (yellow cap)	E-MSA-V22-F	The standard color is dark blue.
G	Oil level gauge guard (yellow)	E-GUARD-Y	Select either of these options.
E	Oil level gauge guard (black)	E-GUARD-B	
L	Level switch ("NO" contact, ON when oil level at or below 11 L)	E-DLSN-130L-A-10	Select either of these options. Not mountable on the T port
H	Level switch ("NC" contact, OFF when oil level at or below 11 L)	E-DLSN-130L-B-10	
P	Temperature switch ("NC" contact, OFF when oil temperature is 60°C or lower)	E-MQT83PD-L60X1-10	Select either of these options. Prepare a compatible bushing.
K	Thermometer	E-RBT-ST-R1/4-100-6X150	
A	Mounting conversion plate for compatibility	E-EHUPLATE	Used to secure the body of the unit using the fixing holes for conventional ECORICH units (Design 30 series).

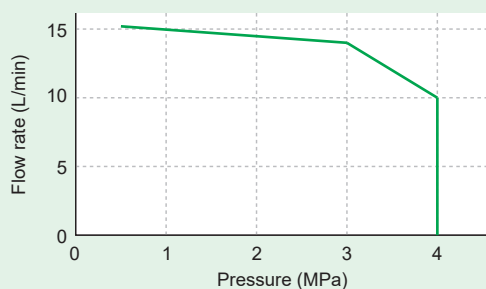
(T2) Rp½ (temperature switch or thermometer) **P** or **K**

(DR2) Rp½ (level switch) **L** or **H**

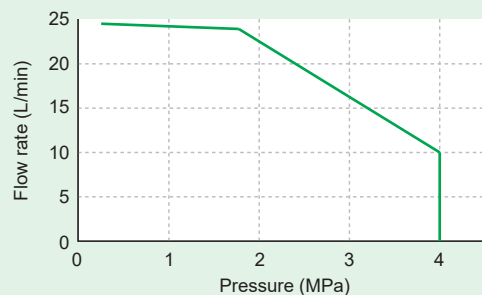


■ Pressure – Flow rate characteristics

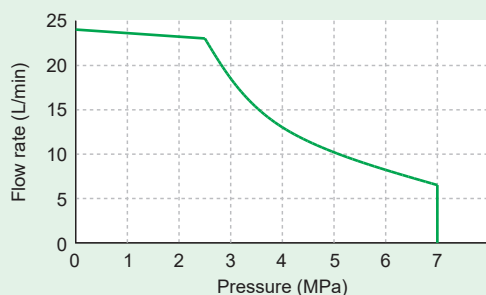
■ EHU1404



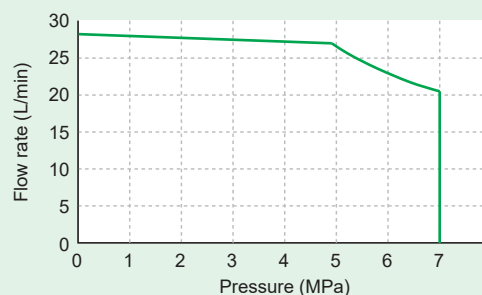
■ EHU2504



■ EHU2507



■ EHU3007



* The graph shows actual flow rates (representative values).

* Operating flow rate at the maximum pressure in continuous operation: 5 L/min maximum

■ Specifications

Model code	EHU1404-40	EHU2504-40	EHU2507-40	EHU3007-40	
Maximum operating pressure (MPa)	4.0		7.0		
Operating pressure adjustment range (MPa)	1.5 to 4.0		1.5 to 7.0		
Maximum flow rate*1 (L/min)	15.2	25.1		28.5	
Operating flow rate range (L/min)	2.5 to 15.2	3.5 to 25.1		3.5 to 28.5	
Motor capacity (equivalent kW)	0.75	1.5	2.2	2.8	
Tank capacity (L)	18				
Power supply	3-phase, AC 200 V (50 Hz), 200 V (60 Hz), 220 V (60 Hz) (Permissible voltage fluctuation: ±10%)				
External input signal	3 channels, photo coupler insulation, DC 24 V, (maximum of DC 27 V), 5 mA per channel				
External output signal	Digital output	1 channel, photo coupler insulation, open collector output, DC 24 V, 50 mA maximum per channel			
	Contact output	1 channel, relay output, contact capacity: DC 30 V, 1 A (resistance load), 1 common contact			
Rated current	200 V/50 Hz (A)	6.0	7.0	4.7	10.3
	200 V/60 Hz (A)	5.9	7.0	4.5	10.3
	220 V/60 Hz (A)	5.5	6.7	4.3	9.7
No-fuse breaker capacity (A)	15				
Mass (hydraulic oil excluded) (kg)	26		29		
Standard coating color	Black				
Usable oil ²	Mineral-oil base hydraulic oil/wear resistance hydraulic oil <ul style="list-style-type: none"> • Viscosity grade: ISO VG32 to 68 • Viscosity range: 15 to 400 mm²/s • Contamination: Within NAS class 10 				
Tank oil temperature	0 to 60°C (Recommended operating temperature range: 15 to 50°C)				
Operating ambient temperature	0 to 40°C				
Storage ambient temperature	-20 to 60°C				
Humidity	85% RH maximum (no condensation)				
Installation site	Indoors (Be sure to secure with bolts, etc.)				
Altitude	1,000 m maximum				

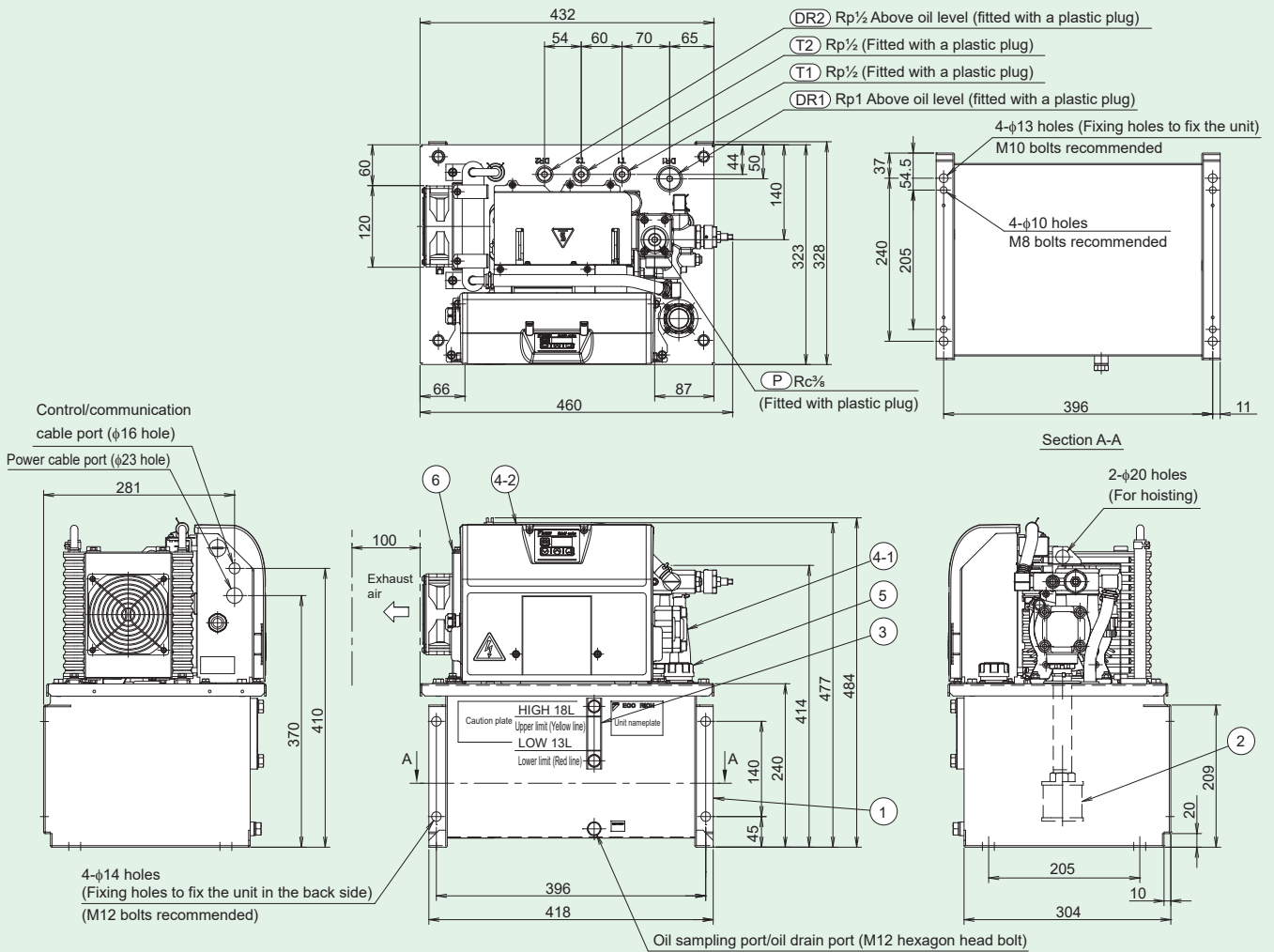
*1: • The maximum flow rate is the theoretical value, not the guaranteed value.

• Refer to the specification sheet (outside drawing) for detailed specifications.

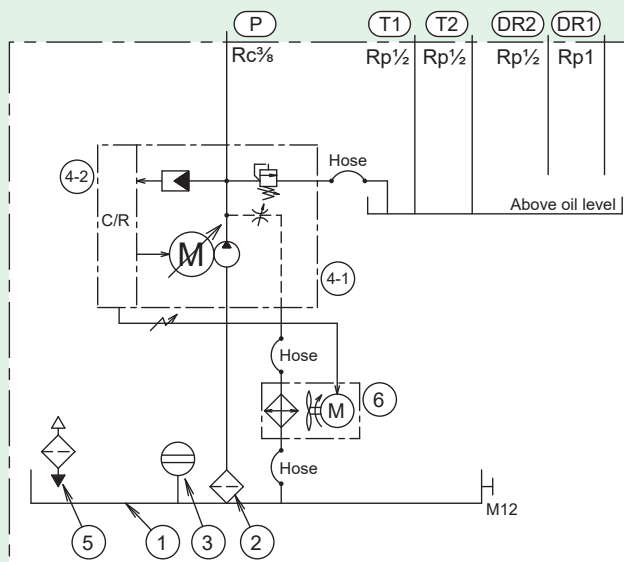
• This hydraulic unit is equipped with built-in safety valves.

*2: • Use of hydraulic oils other than mineral-oil base type (e.g. hydrous/synthetic), water-glycol hydraulic oil for example, is prohibited.

External Dimension Diagram



Hydraulic Circuit Diagram

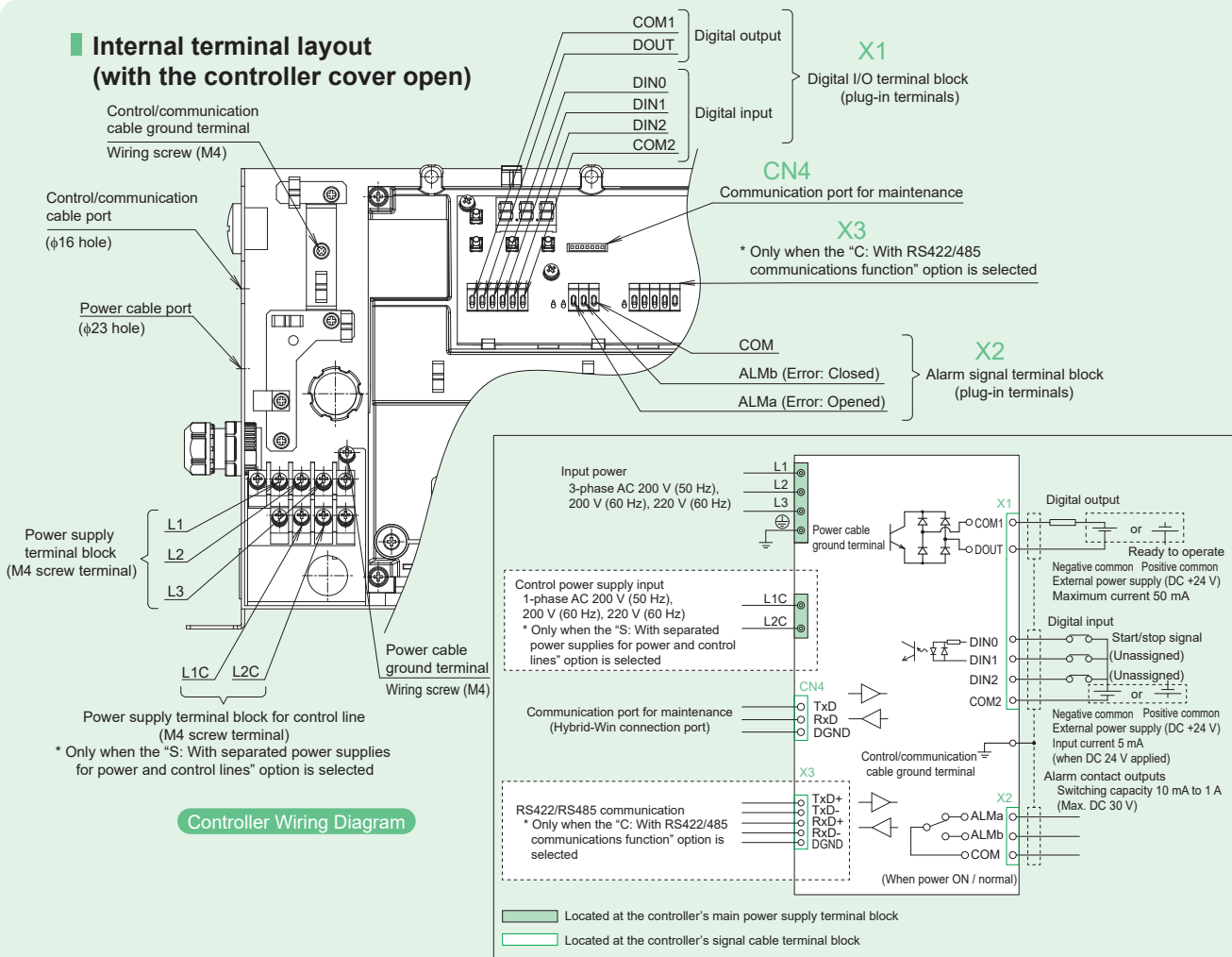


List of parts

Part No.	Name	Quantity
1	Oil tank	1
2	Suction strainer	1
3	Oil level gauge	1
4-1	Inverter driven motor pump	1
4-2	Control unit	1
5	Oil filler port with air breather	1
6	Oil cooler	1

Wiring Guide

Internal terminal layout (with the controller cover open)



Main power supply connections

Connect a 3-phase AC power supply (200 V/50 Hz, 200 V/60 Hz, or 220 V/60 Hz) to the power supply terminals (L1, L2 and L3), and connect the ground cable to the power supply ground terminal.

Cable specifications	Cable size	Recommended cable	Recommended crimp terminal	Recommended cable clamp
CE	1.5 mm ² or greater	CE362 1.5 mm ² × 4 wires (KURAMO ELECTRIC)	RBV2-4	OHM ELECTRIC OA-W1611 Applicable cable outer diameter: φ9 to φ11
VCT	2 mm ² or greater	VCT362 2 mm ² × 4 wires (KURAMO ELECTRIC)		OHM ELECTRIC OA-W1613 Applicable cable outer diameter: φ11 to φ13

I/O signal terminal connections

Connect wires to the I/O signal terminal block as shown in the table below.

Cable size	Recommended cable	Recommended cable clamp
0.3 to 0.5 mm ² (AWG20 to 22)	KVC-36SB 0.3 - 0.5 mm ² (KURAMO ELECTRIC)	OHM ELECTRIC OA-W1611 Applicable cable outer diameter: φ9 to φ11

Digital I/O / alarm signal terminal block

Terminal block	Terminal code	Type	Signal name	Remarks
Digital input/output	COM1	Digital output	Common digital output	This common terminal can be either positive or negative.
	DOUT		Digital output	Outputs completion signals or motor operation signals. (Varies depending on the parameter setting.)
	DIN0	Digital input	Digital input 0	Runs or stops the unit. (Run/stop operation upon signal input can be selected with a parameter.)
	DIN1		Digital input 1	(Reserved)
	DIN2		Digital input 2	(Reserved)
	COM2		Common digital input	This common terminal can be either positive or negative.
Alarm signal	ALMa	Contact output	Alarm output, "NO" contact	When the power supply is ON and the status is normal, this is "closed", and when the pressure switch has actuated or an alarm or warning has occurred, it is "open". (Varies depending on the parameter setting.)
	ALMb		Alarm output, "NC" contact	This is "open" when the status is normal.
	COM		Common alarm output	Common



**These are the minimum requirements for use of the ECORICH.
For details, refer to the unit's Instruction Manual.**

● Ambient conditions

1. Ambient temperature: 0 to 40°C, ambient humidity: 85% RH maximum (with no condensation), altitude: 1,000 m maximum, to be used indoors

● Hydraulic oil

1. Use mineral-oil base hydraulic oil.
Use of hydraulic oils other than mineral-oil based type (e.g. hydrous/synthetic) is prohibited
2. Use hydraulic oil equivalent to ISO VG32 to 68. Keep the viscosity of the hydraulic oil within the range from 15 to 400 mm²/s, and keep tank oil temperatures within the range from 0 to 60°C.
3. Keep contamination within NAS class 10.

● Installation and piping

1. The unit is a stationary type. Fix it with bolts on a level location that is free of vibration.
2. Keep obstacles that will obstruct air intake and emission at least 100 mm away from the end face of the unit.
Install the unit at a location with good air flow so that heated air can be vented.

● Electric wiring

1. Install a no-fuse breaker and a ground fault interrupter compliant with European Standard EN60947-2 in the main power supply of ECORIH, to protect the electrical circuits against shorting and overcurrent, and to prevent electric shocks.
2. Use suitable electric cable in accordance with the power supply capacity. In addition, connect the cables correctly in accordance with the wiring guide.
3. Be sure to provide a ground connection with a grounding resistance of 100 Ω maximum, and connect the grounding wire directly with no breaker in the line.
4. Take care not to allow waste metal such as screws and wiring debris, or combustible matter such as wood waste or oil, to enter inside the control unit.
5. Use a commercial power supply for the power source. The use of an inverter power supply may cause burn damage to the unit.
6. The power supply terminal block has been changed to screw terminals. Use round terminals for the power supply cables.

● Other precautions

1. If a failure occurs in the hydraulic unit, the system indicates an alarm and terminates.
If a failure or malfunction of this unit is expected to cause death or pose a danger to human beings, adopt appropriate safety measures in the facilities.
2. Turning the power supply ON/OFF frequently will significantly shorten the life of the controller. Use the start/stop digital inputs to start/stop this hydraulic unit. Leave an interval of at least 8 minutes between operation stops invoked by turning the power supply ON/OFF. Also, when starting and stopping the unit using the start/stop signals, leave an interval of at least 0.5 seconds between a stop command and restarting.



DAIKIN INDUSTRIES, LTD.

Oil Hydraulic Equipment

Osaka Office

YODOGAWA PLANT

1-1, Nishi-Hitotsuya, Settsu, Osaka 566-8585, Japan

Phone: 81-6-6349-4475

Fax.: 81-6-6349-7862

Home Page: <http://www.daikinpmc.com/en/>