

Data Sheet

# Color Camera

## CCC 102

When connected to a DP600 series graphical display terminal, the CCC 102 Color Camera provides clear and precise video monitoring for your mobile applications.

- Compact design- fits easily in small spaces
- Shockproof, vibration resistant and corrosion resistant camera housing
- Chemically hardened glass resists breakage, scratches and damage
- Auto-activated heated lens prevents frost and fogging

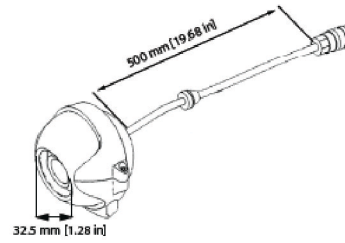
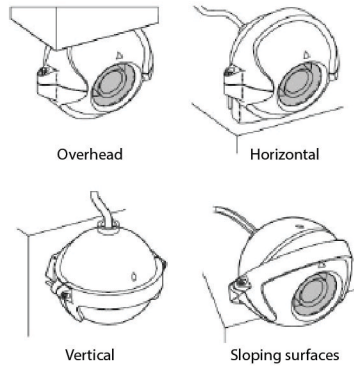
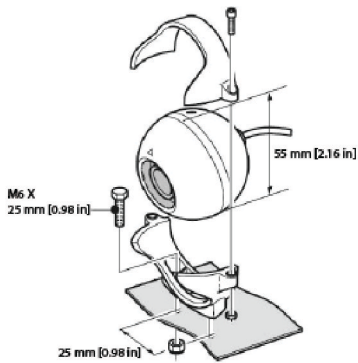


### Features

### Technical Data

<b>Camera/Video</b>	Recording Element	Color ¼ inch solid state CCD (Charge Coupled Device)
	Pixels	542•586 (H•W)
	TV System Type	PAL video standard
<b>Lens/Glass</b>	Lens Type	2.1 mm [0.08 in], fixed focal length; minimum object distance: 0.1 m [3.93 in]
	Lens Glass	Chemically hardened and tempered float glass
	Field of Vision	102° width field of vision; max mounting bracket angle: ± 95° horizontal, ± 71° vertical
	Light Sensitivity	0.5 lux (at f1.2, 5600k)
<b>Housing/Hardware</b>	Housing	Gas filled anodized black aluminum; UV resistant; light fastness: >8; DIN 50021 salt spray tested; waterproof to 25 m [82.02 ft]; able to withstand high-pressure cleaning (according to SAE J1455 & IP69 rating)
	Extension Cable	11 m [36.08 ft.] 75 Ohm cable with 4 pin female connector; cable weight: 1.22 kg [2.69 lb]
	Shock & Vibration	15 g rms (with bracket attached) post-thermal cycle 24–2000 Hz random
	Weight	230 g [8.11 oz] (with bracket); 300 g [10.58 oz] total shipping weight
<b>Power/Temp</b>	Power Input	11.1–16.1 V DC; camera will not function below 10 V DC; extreme voltage protection to 28 V DC
	Power Consumption	Heating off: 100 mA; heating on: 250 mA (heating activated at <15° C [59° F])
	Connectors	0.5m cable with 4–pin male connector (camera power input and video output) IP69 rated connector
	Operating temperature	–40° C – 75° C [–40° F – 167° F]

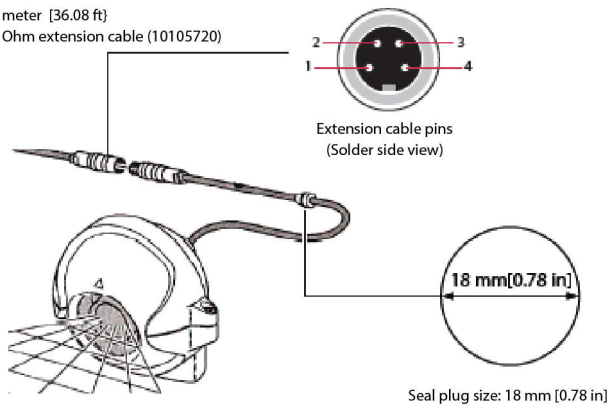
## Installation and Mounting Information



### Pin Breakout

11 meter [36.08 ft]

75 Ohm extension cable (10105720)



### 10105720 Extension Cable Specifications

Item	Description
Wire gauge	5 × 0.25 mm <sup>2</sup>
Composition	14 × 0.15 Cu
Resistance	75 Ω
Insulation	PVC
Temperature range	-5 °C – 70 °C [23 °F– 158 °F]

### Ordering Information

#### CCC102 Color Camera and related accessories

<b>CCC102 Camera</b>	10100831
<b>CCC102 Extension cable (11 m)</b>	10105720
<b>Mating Binder connector</b>	10105940

### Camera Connector Cable Pin Breakout

Pin Number	Wire Color	Description
1	Coaxial core	PAL video signal
2	Coaxial screen	Video ground
3	Red	12V DC feed
4	Black	Ground feed

This camera should only be used as a visual aid and never as a stand-alone safety device. Danfoss assumes no liability for damages caused by misinterpretation, defects or improper functioning.

### 10105720 Extension Cable Wiring Specification

#### Cable Color Coding

Item	Description
1	white
2	brown
3	black
4	blue
5	grey