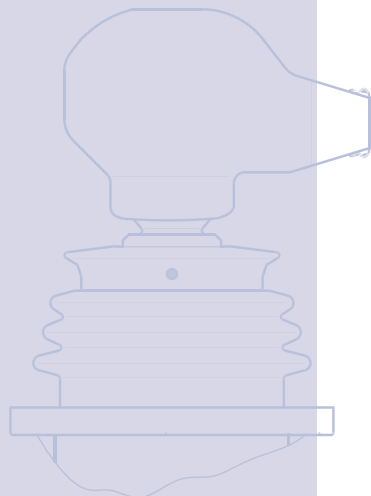
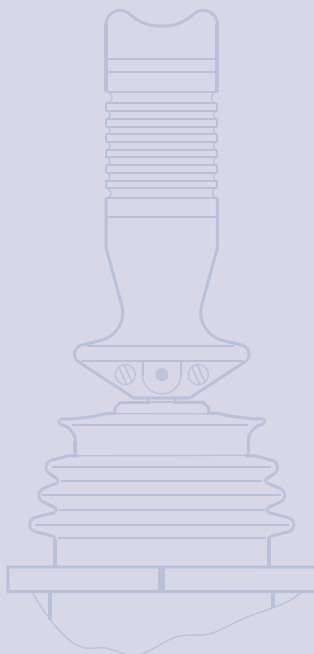


Technical  
Information



Revision History

Table of Revisions

Date	Page	Changed	Rev
Mar 2008	All	First edition	AA
Apr 2010	36	Japan location	AB
Jun 2010	14	Drawing adjusted	AC
Sep 2010	36	New backcover	AD

Contents

**General**..... 3

  Application..... 3

  Mechanical design ..... 3

  Main function module ..... 4

  Connector..... 4

  Direction switches..... 5

  Neutral position switch..... 5

  Cables..... 5

**Prof joysticks**..... 6

  Prof 1 ..... 8

  Colour band ..... 8

  Proportional modules ..... 8

  Push buttons ..... 8

  Location and orientation of modules ..... 9

  Electronic modules ..... 9

  connections – basic version..... 13

  connections – standard, extended versions ..... 14

  Technical data ..... 15

  Dimensions ..... 16

  Examples of use..... 17

  Standard programme ..... 19

  Selection overview ..... 20

  STANDARD PROGRAMME DETAILS..... 22

  Prof 1 Joystick specification ..... 23

**PVRE series 2** ..... 24

  Versions ..... 24

  Location and orientation of functions ..... 25

  Connections..... 26

  Technical data ..... 27

  Dimensions ..... 28

  Examples of use..... 29

**PVRET series 2**..... 30

  Version ..... 30

  Connections..... 30

  Technical data ..... 31

  Dimensions ..... 31

  Examples of use..... 32

© 2010 Sauer-Danfoss. All rights reserved.  
 Sauer-Danfoss accepts no responsibility for possible errors in catalogs, brochures and other printed material.  
 Sauer -Danfoss reserves the right to alter its products without prior notice. This also applies to products already ordered provided that such alterations can be made without affecting agreed specifications. All trademarks in this material are properties of their respective owners. Sauer-Danfoss, the Sauer-Danfoss logotype, the Sauer-Danfoss S-icon, PLUS+1™, What really matters is inside® and Know-How in Motion™ are trademarks of the Sauer-Danfoss Group.  
 Frontpage: F300 746, F300 747, F300 748, F300 749, Drawing 162B96

**Application**

F300 749

PVRE, PVRET and Prof joysticks from Sauer-Danfoss are generally used together with PVGs and PVEs, but can be used in any application. A complete range of joysticks from the simple PVRE handle with X-Y functions to the Prof 1 ergonomic handle with rollers and pushbuttons are available.

**Mechanical Design**

All handle variants share the same mechanical base to which the electronics are mounted. The mounting flange of the joystick is an integrated part of the mechanical base, which also contains a linkage that transfers handle movement to the electronics. The linkage also includes neutral positioning springs.

The neutral positioning springs are designed to ensure a smooth return of the handle into neutral position. The maximum spring force is optimised to be just strong enough to keep the handle in position, even during operation in rough terrain, without interfering with the operation of the joystick or impairing its ergonomic characteristics.

Spring force	8-10 N
--------------	--------

**Main Function Module**

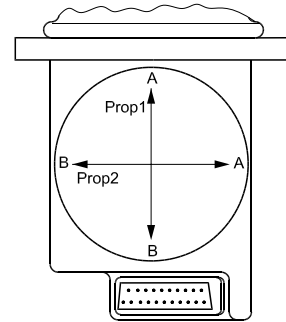
(Prop1 and Prop2)  
 The primary functions of the joystick are defined as its X and Y directions.

Main functions are potentiometers with integrated direction switches.

Each function has a working angle of  $\pm 18^\circ$ .

Signal range	Neutral signal
25% – 75%	50%
of supply voltage	

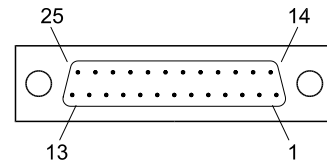
Note: When moving the handle diagonally the maximum signal range is not available.



162B89.10

**Connector**

All joysticks come with a common **25 pin male SUB-D connector** with M3 screws. (MIL - DTL - 24308)



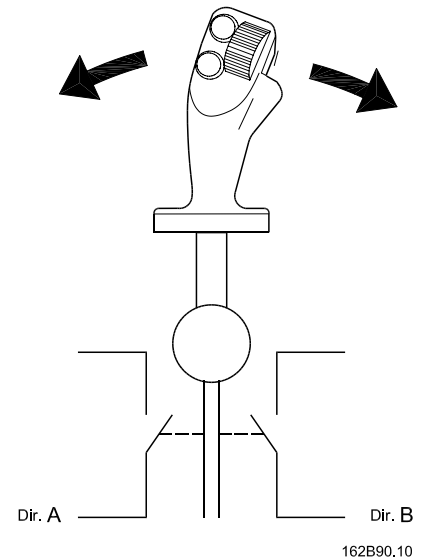
162B78.11

### Direction Switches

Proportional modules have integrated direction switches. One switch is activated when the module is moved in the A direction, the other is activated when the module is moved in the B direction.

The direction switches are used to activate the neutral position switch, and with some electronic modules the direction switch outputs are available in the connector. (See details about electronics.)

There is a dead band in the joystick of approximately 1.5° before the direction switches are activated.



Note: The direction switches are independent from the signal voltage

### Neutral Position Switch

The neutral position switch can supply up to 3 PVEs or other devices (see electrical details), and functions as both a power save and a safety switch. The switch is only activated when one or more of the proportional modules are activated.

The operation of the neutral position switch is dependant on signals from the direction switches.

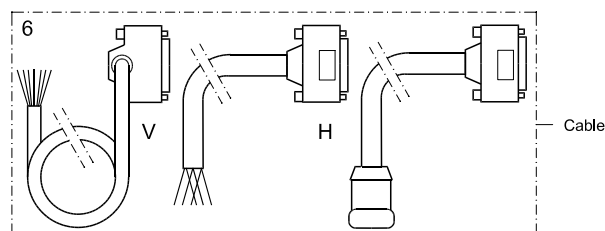
Sauer-Danfoss recommends that the neutral position switch be used to the greatest possible extent.

Note: When using the neutral position switch all three U<sub>DC</sub> wires as well as all three Neutral Switch wires **must** be connected.

### Cables

For compatibility with different applications, a selection of mating cables are available:

Code no. 162B....	Length mm [in]	Plug type	Type
6013	4000 [157]	Leads	Vertical SUB-D
6014	4000 [157]	Leads	Horizontal Sub-D
6015	500 [19]	Clipper	-
6016	230 [9]	TrimTrio	-
6017	230 [9]	Tabs	PVRE compatibility

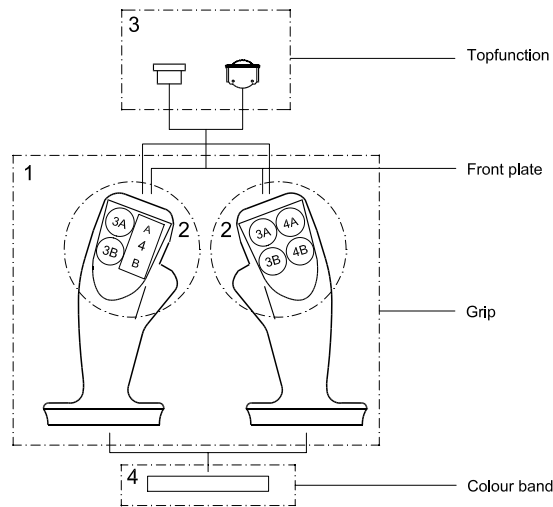


**Prof Joysticks**

The Prof family of joysticks is built around a series of modules that can be combined in various ways to create the joystick that best fits the application. Each joystick has a base module with proportional functions (X & Y); a colour band for decoration and identity, a handle, and depending on handle selection, a number of pushbuttons and/or proportional functions.

**Handle / Top functions**

To provide optimum user comfort, a selection of handles is available. Each handle offers a choice of push buttons and / or proportional functions positioned for ease of use and comfort.

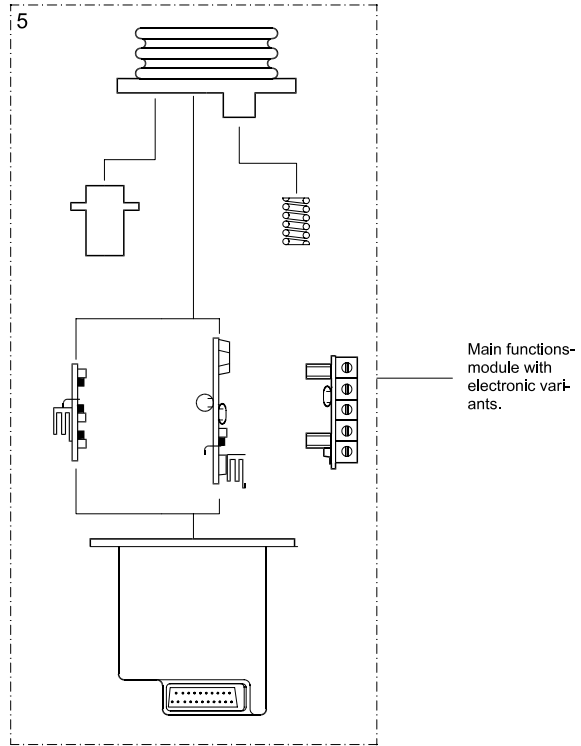


162B91.10.10

**Prof Joysticks**

**Base module**

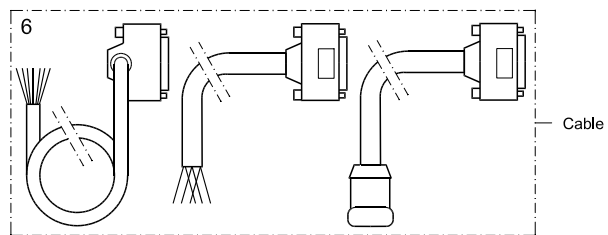
A number of electronic modules provide various performance levels to cater for different needs in different applications.



162B92.10

**Cable**

For easy integration into existing applications cables with different connectors are available as accessories, see page 5.



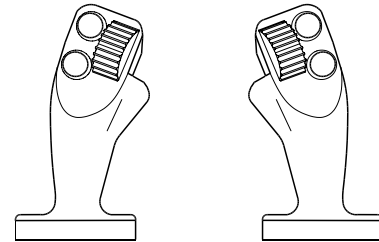
162B93.10

**Prof 1**

A professional handle for intensive operation; with a forward-leaning, curved, ergonomic shape. The leather-like grained surface allows the palm of the hand to breathe during operation.

The Prof 1 handle can be fitted with up to seven push buttons, or up to two proportional functions with up to five push buttons.

For location and combination of function modules see the overview.



LH

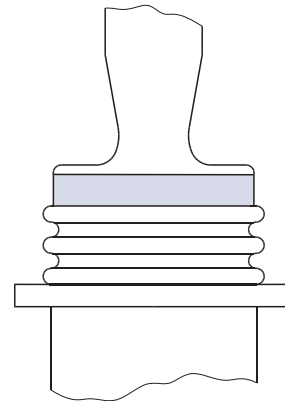
RH

162B94.10

**Color Band**

A choice of colors is available for the band at the base of the handle.

Colors
Yellow
Black
Red



162B08.10

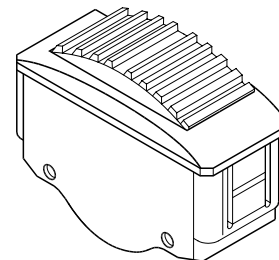
**Proportional Modules**

The roller function module is a spring centred potentiometer with integrated direction switches.

Working angle:  $\pm 42^\circ$

Direction switch angle:  $3.5 \pm 2^\circ$

Signal range	Neutral signal
25% – 75%	50%
of supply voltage	



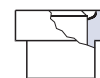
162B62.10

**Push Buttons**

The handle can be fitted with up to seven independent On/Off functions.

The buttons are protected against shocks and unintentional activation by a high collar.

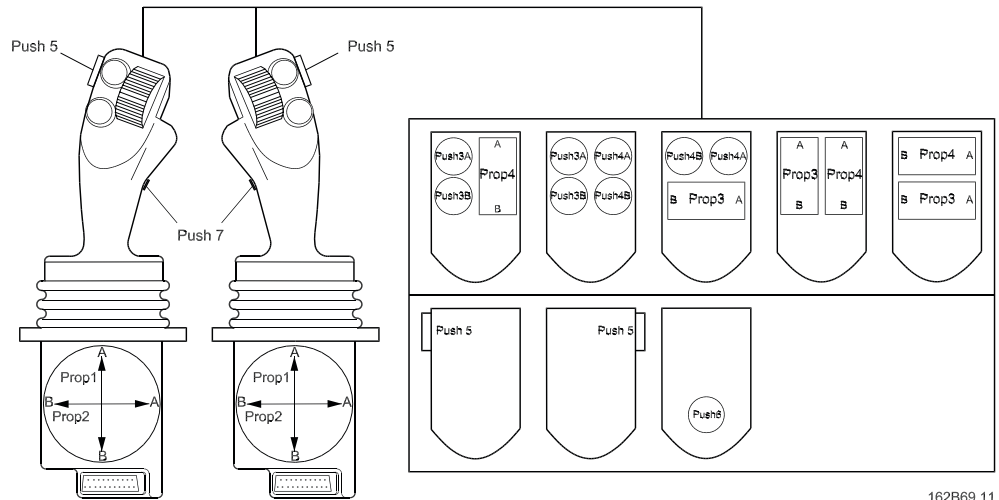
Colors
Yellow
Black
Red
Grey



162B52.10



**Location and Orientation of Modules**



162B69.11

**Electronic Modules**

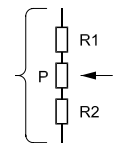
The electronic modules are available with four different performance levels: Basic, Standard, Extended, and CAN-enabled.

**Basic**

The Basic level module is a connection platform that contains no electronics. This version offers raw signals from function modules, proportional modules, and push buttons.

The Basic level module contains no kind of protection, amplification, neutral switches, relays, or filtering and meets no legal specifications.

The proportional functions in the basic module are configured like this:



162B72.10

The value of P is 5 K $\Omega$ , R1 and R2 are 1.125 K $\Omega$  (See technical data for tolerances). This configuration ensures that the output signal will be at least 25%-75% of the supply voltage.

Note: Because of the output impedance of the sensors, it is recommended to use an amplifier if the application draws more than 15  $\mu$ A.

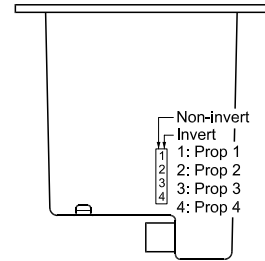
**Electronic Modules**

**Standard**

The Standard level electronic module provides amplifiers, inverting and signal relays on all proportional outputs, and an electronic switch on all On/Off outputs.

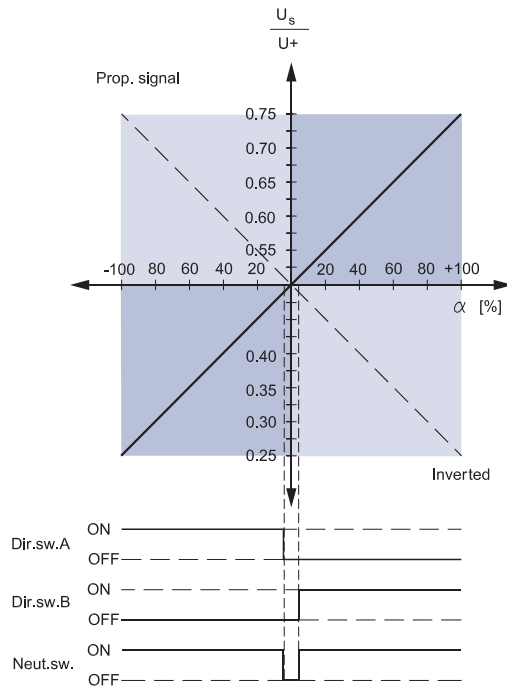
The signal relays are controlled by the power supply in such a way that a power failure will disconnect the output. (This will automatically send a Sauer-Danfoss proportional valve to neutral position)

When used together with a Sauer-Danfoss proportional valve signal inversion causes the joystick to move the spool in the direction opposite to the default. This is equivalent to swapping the hoses on the valve outlets.



162B46.10

Note: The directional switches are not affected by the signal inversion.



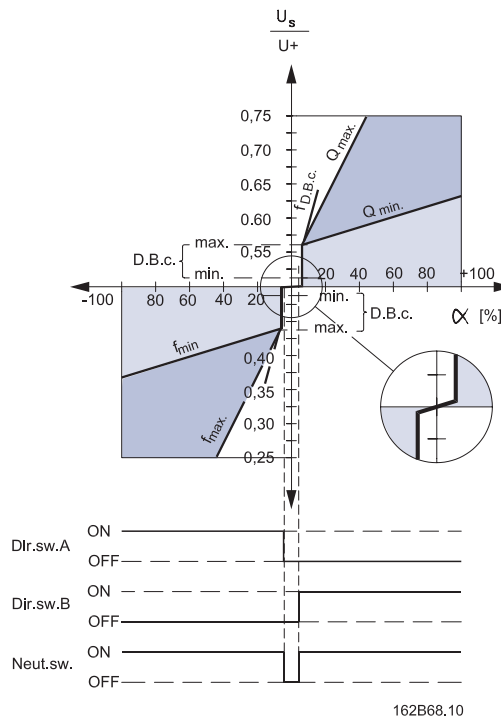
162B19.10

Factory setting: Non-inverted

**Electronic Modules**

**Extended**

The Extended level electronic module has the same configuration as the Standard level module. Additionally it has adjustable proportional functions. The Extended level module offers the option of individual signal adaptation (flow adjustment) and common dead-band compensation.



The dead band compensation (D.B.c.) ensures that the dead band of the valve is reduced to a minimum movement of the grip.

The dead band compensation is only active outside the neutral range, which ensures normal amplification within the neutral position range.

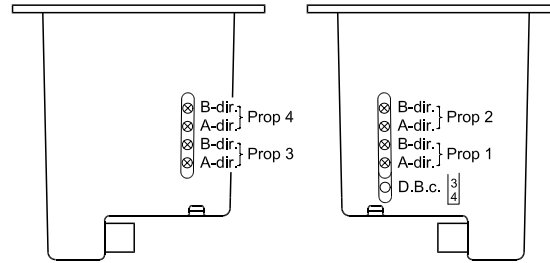
The dead band compensation is set for all four proportional functions on one potentiometer.

For each proportional function there are two integrated potentiometers that independently control the gain for the A and B directions of the signal output without limiting the movement range of the handle (adjustable flow range).

The gain of each function can be adjusted from 0.25 to 2.00. This has no effect within the D.B.c. range.

**Electronic Modules**

Location of potentiometers for adjusting D.B.c and gain:



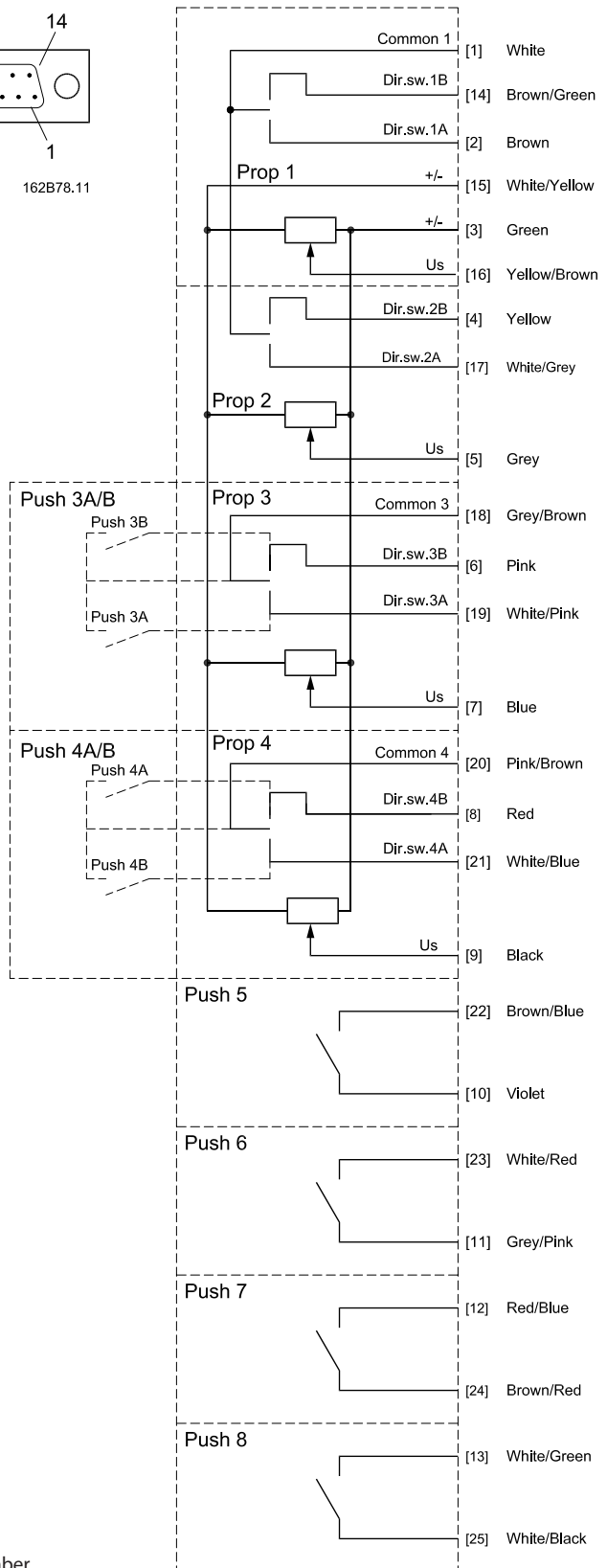
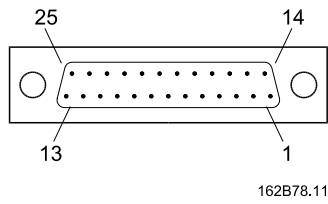
162B48.10

Factory setting @ 12 V	
Dead band compensation	0.42 V
Signal gain	0.86

**CAN-enabled**

There is a CAN-enabled electronic module available for the Prof family of joysticks. The module provides a standard CANOpen interface. For further information read Sauer-Danfoss Technote on CAN bus components and see our webpage: <http://www.sauer-danfoss.com>

**Connections**  
**- Basic**

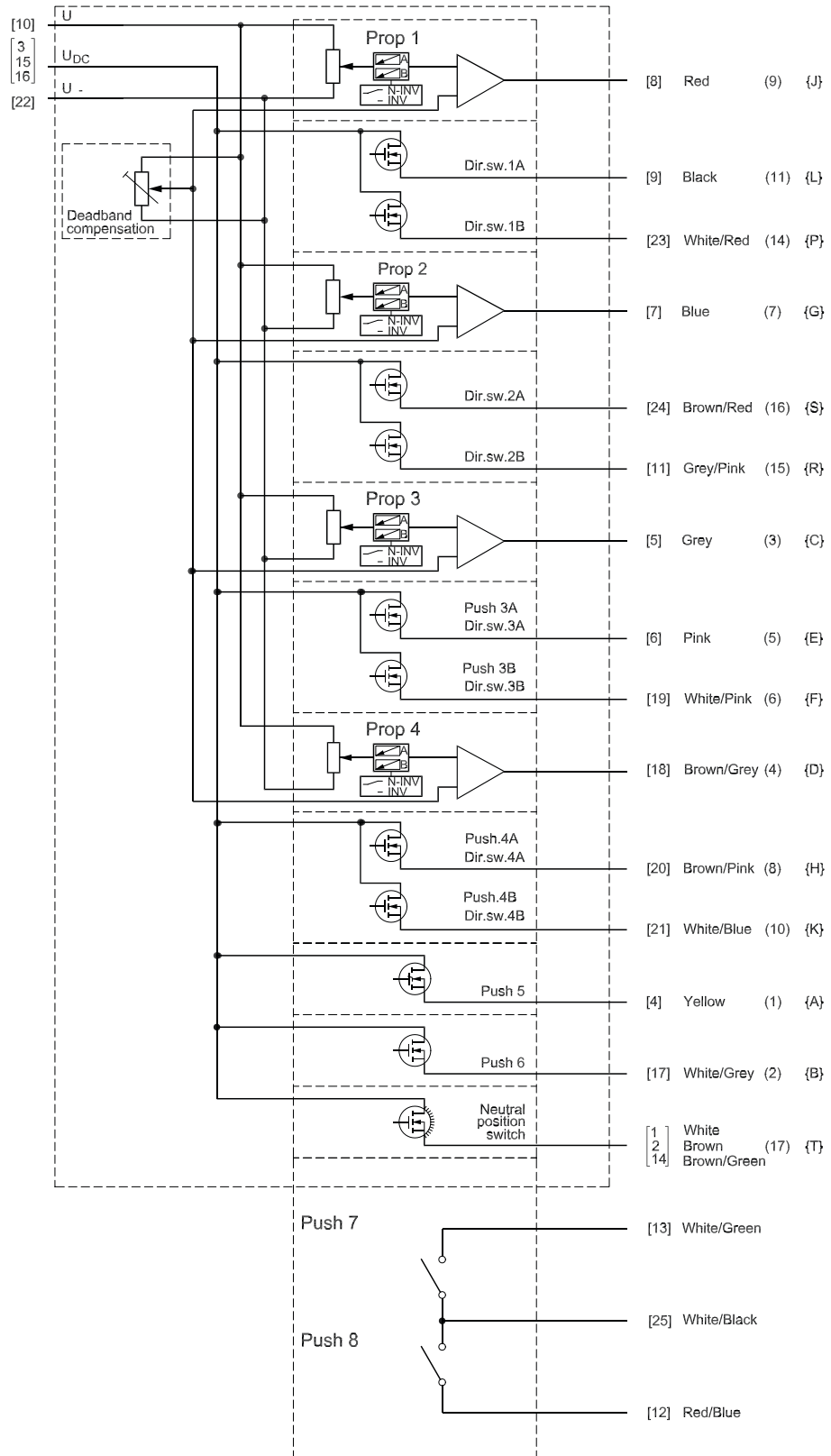
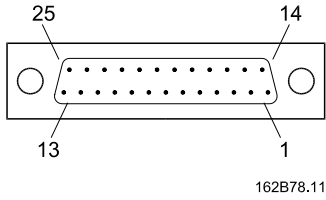


Numbers in [ ] indicate pin number in sub-D connector.

162B61.11

**Connections**  
 - Standard  
 - Extended

- {N} (13) Violet  
Green
- {U} (18) White/Yellow  
Brown/Yellow
- {M} (12) Brown/Blue



Numbers in [ ] indicate pin number in sub-D connector.

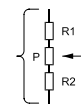
162B59.12

Technical Data

All

Enclosure	Below flange	IP 21
	Above flange	IP 50
Ambient temperature	-30 - +60° [-22 - +140°F]	
Max. force on handle	1000 N static	

Basic

Supply voltages	U <sub>+</sub>	≤30 V	
Proportional functions		P	5 kΩ ±50%
		R1 & R2	P × 0.225 ±1%
Max signal current	15 μA (1 mA peak)		
Max direction switch load for all proportional functions	30 V <sub>DC</sub> / 2mA		
Max push button load	30 V <sub>DC</sub> / 50mA		

Note: There are no electronics built in to the Basic level module.

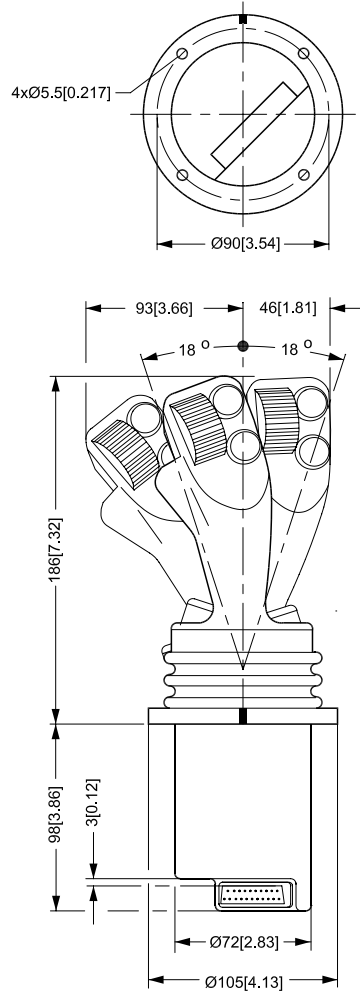
Standard and Extended

Supply voltages	U <sub>DC</sub> , U <sub>+</sub>	10-30 V	
	Max ripple	5%	
Current consumption	≈150 mA		
Signal voltage U <sub>s</sub>	U <sub>s</sub> Min → Max	0.25 → 0.75	
	U <sub>+</sub> Neutral position	0.50	
Signal load in neutral position	Load type	PVE	Other
	Load impedance	>6 kΩ	>15 kΩ
Signal current at max movement	@ U <sub>DC</sub> = 12 V	U <sub>s</sub> - 0.5 × U <sub>+</sub> 6 kΩ ± 0.6 mA	U <sub>s</sub> 15 kΩ 0.2 → 0.6 mA
	@ U <sub>DC</sub> = 24 V	± 1.2 mA	0.4 → 1.2 mA
Signal current in neutral position	@ U <sub>DC</sub> = 12 V	± 0 mA	0.4 mA
	@ U <sub>DC</sub> = 24 V	± 0 mA	0.8 mA
Inverter	Non inverted	Output signal = U <sub>s</sub>	
	Inverted	Output signal = -1 × (U <sub>s</sub> - 0.5×U <sub>+</sub> ) + 0.5×U <sub>+</sub>	
Push buttons and directions switches for all proportional functions	Max load	0.6 A	
Push 7 & Push 8	Max load	30 V <sub>DC</sub> / 50 mA	
Neutral position switch	Max load	3 A	

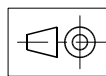
Extended only

Signal regulation U <sub>s</sub>	U <sub>s</sub> Min (50%)	0.37 → 0.63 at 100% movement
	U <sub>+</sub> Max (200%)	0.25 → 0.75 at 50% movement
Dead band compensation	U <sub>s</sub> Min	0.00
	U <sub>+</sub> Max	0.06

**Dimensions**



Prof 1

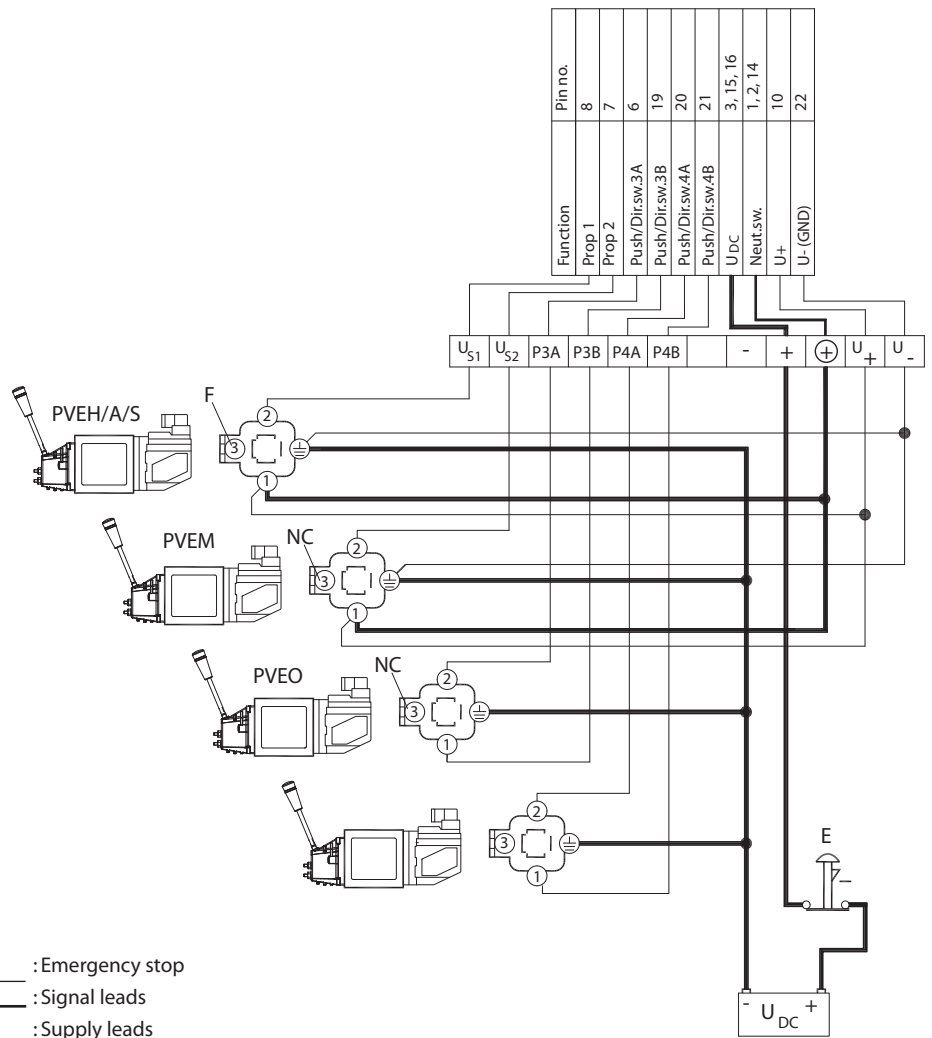
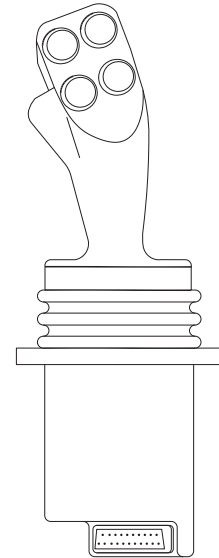


162B129.10



**Examples of Use**

Signal leads must not also function as supply leads unless the distance between PVE and terminal board is less than 3 m [120 in] and the lead cross-section is  $\geq 0.75 \text{ mm}^2$  [AWG 18].

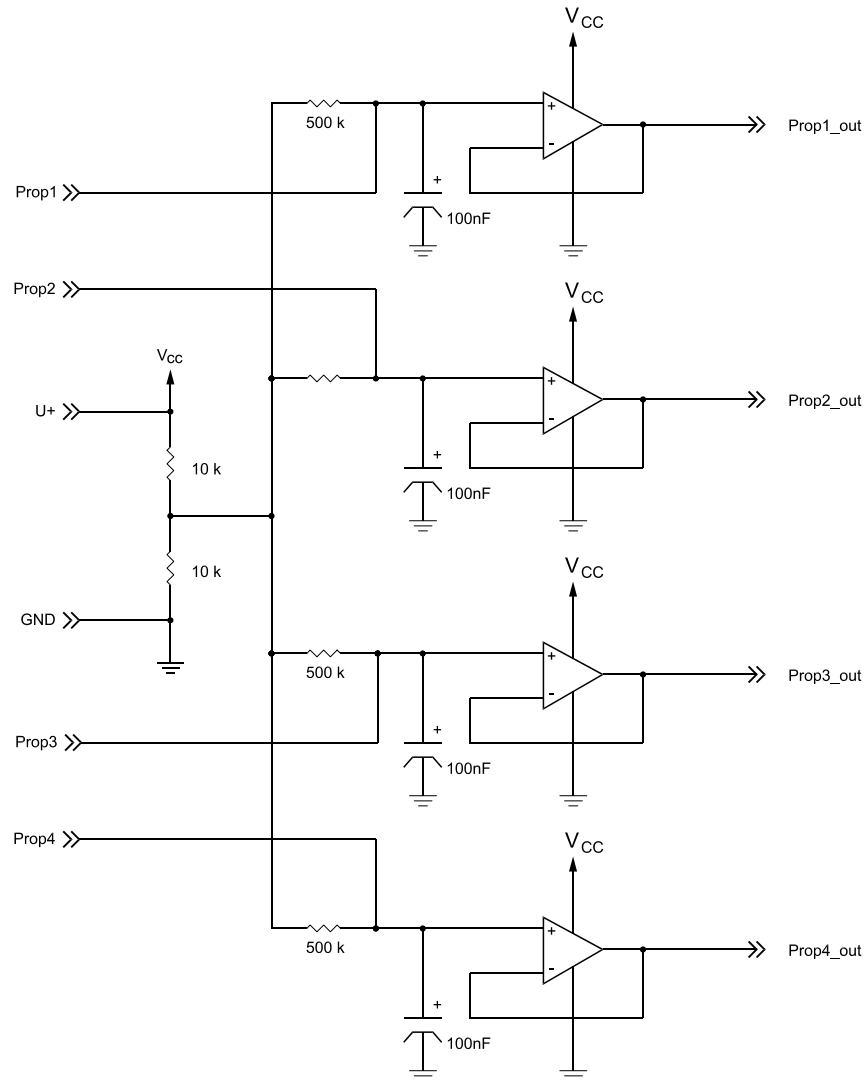


V310116.A

**Examples of Use**

**Basic version used with controller**

When using the Basic level module with a controller, it is recommended to use a filter similar to the one in the figure below to ensure a symmetric and limited load on the proportional sensors.



162B97.10

Note: There are no electronics built in to the Basic level module




















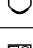

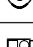
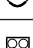
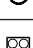

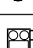
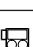
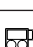








#### Standard Programme

The joystick variants offer a wide range of different combination possibilities. This may result in several code numbers with identical functions (such as location of push button and choice of color).

Based on experience we have therefore put together a standard program.

The standard programme of joysticks is available in the following variants:

- 4-way mechanical
- Yellow push buttons with flat collar
- Red color bands
- Standard electronics (excl. basic and extended with flow and dead band compensation).

No. of prop	No. of ON/OFF	Code numbers Left hand			Code numbers Right hand
2	0	162F1116			162F1100
2	1	162F1117			162F1101
2	2	162F1118			162F1102
2	3	162F1119			162F1103
2	4	162F1120			162F1104
2	5	162F1121			162F1105
2	6	162F1122			162F1106
3	0	162F1134			162F1132
3	1	162F1135			162F1133
3	2	162F1123			162F1107
3	3	162F1124			162F1108
3	4	162F1125			162F1109
3	2	162F1126			162F1110
3	3	162F1127			162F1111
3	4	162F1128			162F1112
4	0	162F1129			162F1113
4	1	162F1130			162F1114
4	2	162F1131			162F1115

**Selection Overview**

**3. Top functions**

Code no. 162B....		Position 3A, 3B, 4A, 4B, 5, 6, 7	Position 3, 4
		Push button	Proportional roller
Color	Black	3000	3100
	Red	3002	-
	Yellow	3004	-
	Grey	3008	-

**1. Grip**

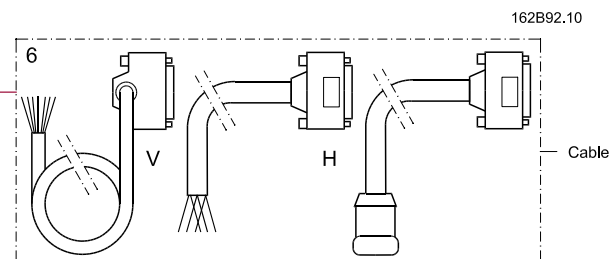
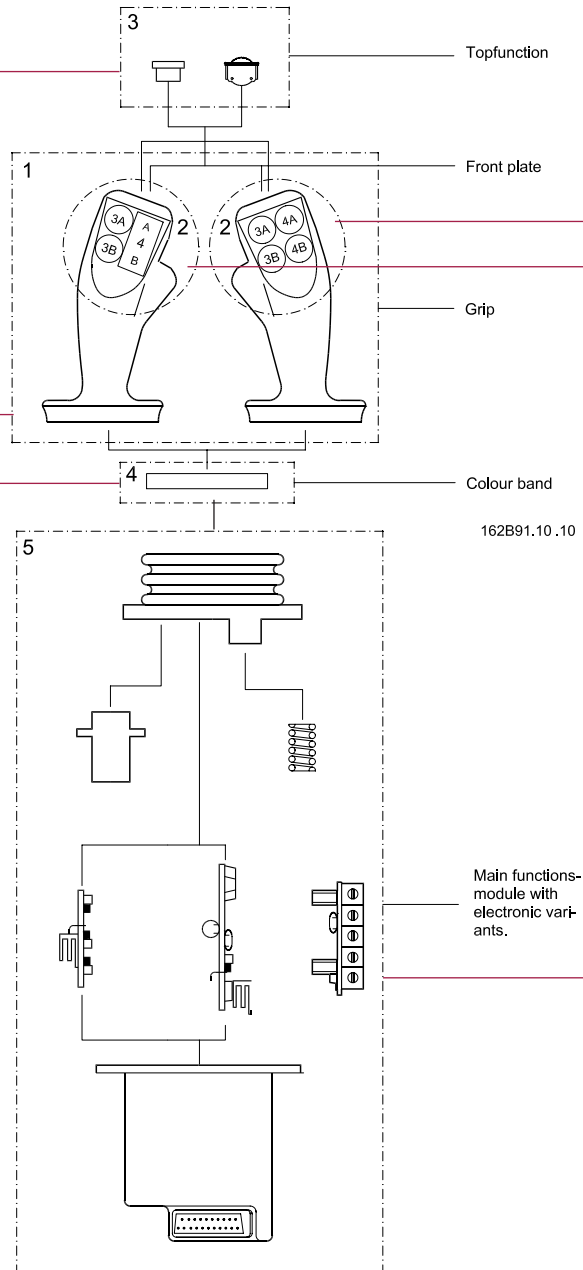
Code no. 162B....		Description	
Black	Grey		
1050	1000	Right hand	Without On/Off push button in the side
	1001	Right hand	With On/Off push button in the side (Push 5)
	1004	Right hand	With dead mans button (Push 7)
	1005	Right hand	With On/Off push button in the side (Push 5) and dead mans button (Push 7)
1150	1100	Left hand	Without On/Off push button in the side
	1101	Left hand	With On/Off push button in the side (Push 5)
	1104	Left hand	With dead mans button (Push 7)
	1105	Left hand	With On/Off push button in the side (Push 5) and dead mans button (Push 7)

**4. Color band**

Code no. 162B....	Color
4002	Red
4003	Yellow
4000	Black

**6. Cable**

Code no. 162B....	Length [mm]	Plug type	Note
6013	4000	Leads	Vertical
6014	4000	Leads	Horizontal
6015	500	Clipper	-
6016	230	TrimTrio	-
6017	230	Tabs	PVRE compatibility



## Selection Overview

### 2. Front plates

Code no. 162B... Gray & (Black)									
2000 (2050)	2010 (2060)	2001 (2051)	2009 (2059)	2011 (2061)	2017 (2067)	2020 (2070)	2002 (2052)	2007 (2057)	
2013 (2063)	2008 (2058)	2030 (2080)	2003 (2053)	2012 (2062)	2016 (2066)	2004 (2054)	2005 (2055)	2100 (2150)	
2112 (2162)	2102 (2152)	2103 (2153)	2101 (2151)	2107 (2157)	2121 (2171)	2120 (2170)	2130 (2180)	2109 (2159)	
2108 (2158)	2127 (2177)	2137 (2187)	2200 (2250)	2210 (2260)	2209 (2259)	2208 (2258)	2138 (2188)		

162B56.11

### 5. Electronics

Code no. 162B....	Type	Description
5000	Basic	2 - 4 proportional functions, 0 - 7 ON / OFF functions
5002	Standard	2 - 4 proportional functions with direction switch and neutral switch 0 - 7 ON / OFF functions
5004	Extended	2 - 4 proportional functions with direction switch and neutral switch Electronic flow adjustment and dead band compensation on one or more prop functions 0 - 7 ON / OFF functions
5100	CAN enabled	See CAN Tech-Note

**Standard Programme  
 Details**

This table shows a breakdown of contents of the standard programme joysticks.

Code numbers	Front plate	Grip code	Electronic
162F1100	162B2000	162B1000	162B5002
12F1101	162B2010	162B1000	162B5002
12F1102	162B2020	162B1000	162B5002
162F1103	162B2030	162B1000	162B5002
162F1104	162B2004	162B1000	162B5002
162F1105	162B2005	162B1000	162B5002
162F1106	162B2005	162B1001	162B5002
162F1107	162B2102	162B1000	162B5002
162F1108	162B2103	162B1000	162B5002
162F1109	162B2103	162B1001	162B5002
162F1110	162B2127	162B1000	162B5002
162F1111	162B2127	162B1001	162B5002
162F1112	162B2137	162B1001	162B5002
162F1113	162B2200	162B1000	162B5002
162F1114	162B2200	162B1001	162B5002
162F1115	162B2210	162B1001	162B5002
162F1116	162B2000	162B1100	162B5002
162F1117	162B2001	162B1100	162B5002
162F1118	162B2002	162B1100	162B5002
162F1119	162B2003	162B1100	162B5002
162F1120	162B2004	162B1100	162B5002
162F1121	162B2005	162B1100	162B5002
162F1122	162B2005	162B1101	162B5002
162F1123	162B2120	162B1100	162B5002
162F1124	162B2130	162B1100	162B5002
162F1125	162B2130	162B1101	162B5002
162F1126	162B2127	162B1100	162B5002
162F1127	162B2127	162B1101	162B5002
162F1128	162B2137	162B1101	162B5002
162F1129	162B2200	162B1100	162B5002
162F1130	162B2200	162B1101	162B5002
162F1131	162B2210	162B1101	162B5002
162F1132	162B2100	162B1000	162B5002
162F1133	162B2112	162B1000	162B5002
162F1134	162B2107	162B1100	162B5002
162F1135	162B2121	162B1100	162B5002

**Prof 1 Joystick  
 Specification**

**Prof 1 Joystick Specification**  
 Customer specification

Code no:		
Customer:		
Application:		
Subsidiary/Dealer:		
<b>1. Grip</b>		
<b>2. Front plate</b>		
<b>3. Top functions</b>	Position (push button colour)	Position (roller)
	3A:	3:
	3B:	
	4A:	4:
	4B:	
	5:	
	6:	
7: <sup>1)</sup>		
<b>4. Colour band</b>		
<b>5. Main function module</b>	Set-up	
	Inverted <sup>2)</sup> (✓ = inverted)	Flow reduction and dead-band compensation <sup>3)</sup> (✓ = ON)
	Prop. 1 <input type="checkbox"/>	Prop. 1 <input type="checkbox"/>
	Prop. 2 <input type="checkbox"/>	Prop. 2 <input type="checkbox"/>
	Prop. 3 <input type="checkbox"/>	Prop. 3 <input type="checkbox"/>
Prop. 4 <input type="checkbox"/>	Prop. 4 <input type="checkbox"/>	
<b>6. Cable</b>		
Compiled by:	Checked by:	
Date:	Date:	

1) Only for deadman button

2) Only for standard and extended level options. Factory setting is "non-inverted" if nothing else is mentioned


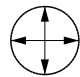
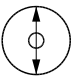
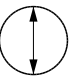
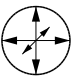
3) Only for extended level option. Factory setting is "on" if nothing else is mentioned.

**PVRE Series 2**

The PVRE series 2 is the successor to the popular PVRE joystick. This joystick builds on the known technology from the Prof family of joysticks as well as the well known handles from the PVRE series 1 joysticks.

**Versions**

The PVRE handle is available in three different variants: No top function, with prop 3, and with two On/Off functions (rocker switches).

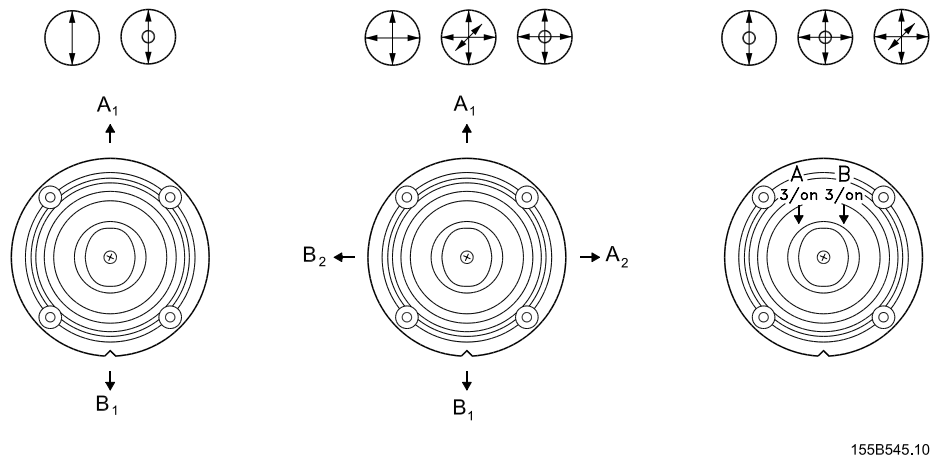
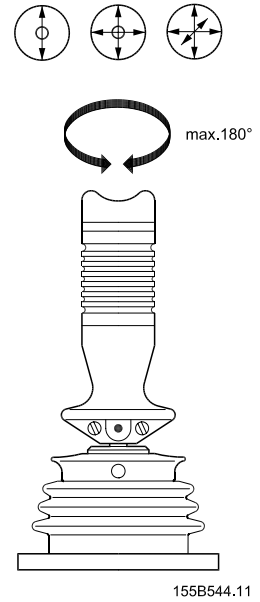
Code no. 162F....	1310 (1300)	1311 (1301)	1312 (1302)	1313 (1303)	1314 (1304)
Symbol	 155B60.10	 155B62.10	 155B64.10	 155B63.10	 155B147.10
Prop1	X	X	X	X	X
Prop 2	X	X	-	-	X
Prop 3	-	-	-	-	X
On/Off	X	-	X	-	-

( ) Incl. PVRE series 1 adapter ring for mounting in place of a PVRE Series 1

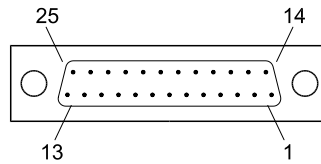


**Location and Orientation of Functions**

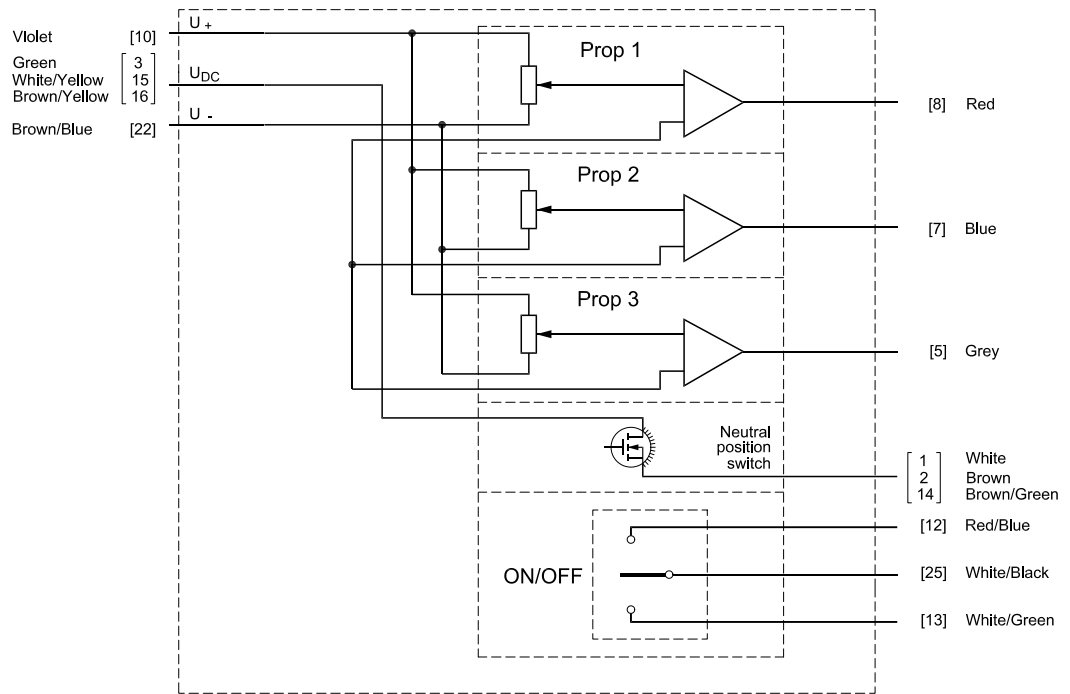
It is possible to turn the PVRE handle through 180° to make the direction of movement fit the application.



**Connections**



162B78.11



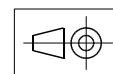
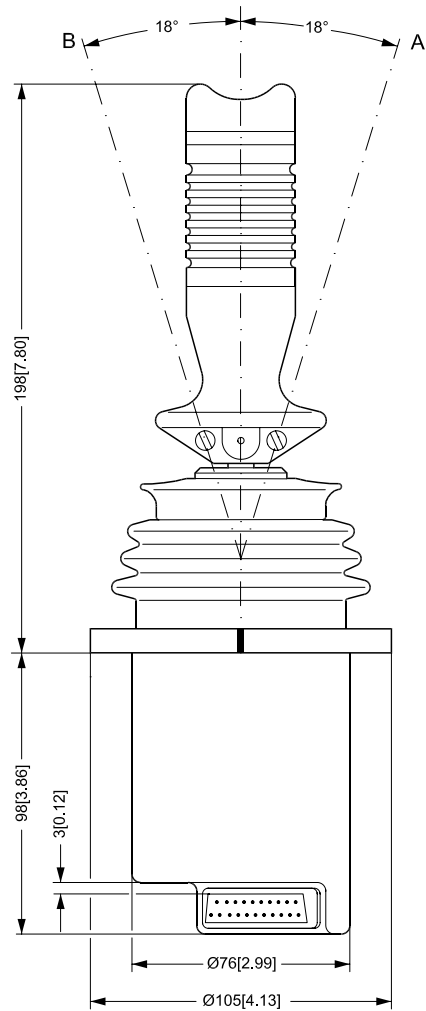
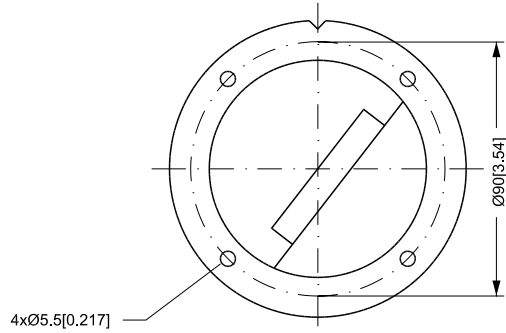
162B79.10

Numbers in [ ] indicate pin number in sub-D connector.

**Technical Data**

Enclosure	Below flange	IP 21	
	Above flange	IP 65	
	With On/Off	IP 42	
	With Prop 3	IP 65	
Ambient temperature	-30 - +60° [-22 - +140°F]		
Supply voltages	$U_{DC}$	10-30 V	
	Max ripple	5%	
Current consumption	≈150 mA		
Signal voltage	$\frac{U_s}{U_{DC}}$	Min → Max	0.25 → 0.75
		Neutral position	0.50
Signal load in neutral position	Load type	PVE	Other
	Load impedance	>6 kΩ	>15 kΩ
Signal current at max movement		$\frac{U_s - 0.5 \times U_{DC}}{6 \text{ k}\Omega}$	$\frac{U_s}{15 \text{ k}\Omega}$
	@ $U_{DC} = 12 \text{ V}$	±0.6 mA	0.2 → 0.6 mA
	@ $U_{DC} = 24 \text{ V}$	±1.2 mA	0.4 → 1.2 mA
Signal current in neutral position	@ $U_{DC} = 12 \text{ V}$	±0 mA	0.4 mA
	@ $U_{DC} = 24 \text{ V}$	±0 mA	0.8 mA
On/Off switch	Max load	0.6 A	
Neutral position switch	Max load	3 A	

**Dimensions**

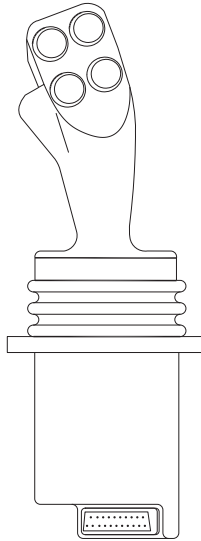


162B130.10

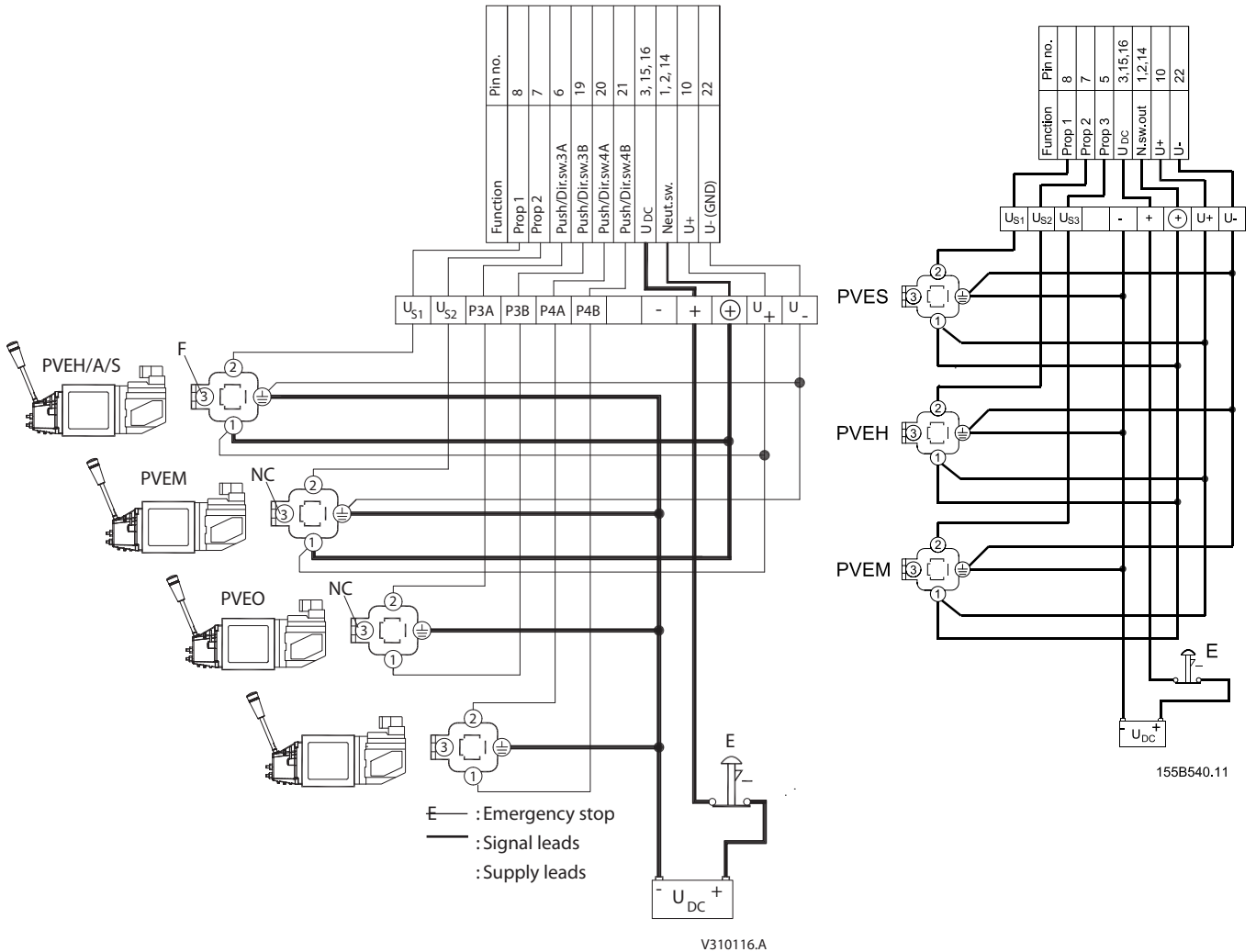
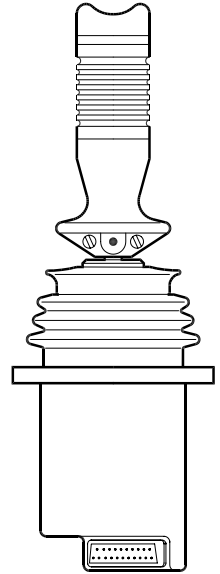
Examples of Use



155B60.10




155B147.10



**PVRET Series 2**

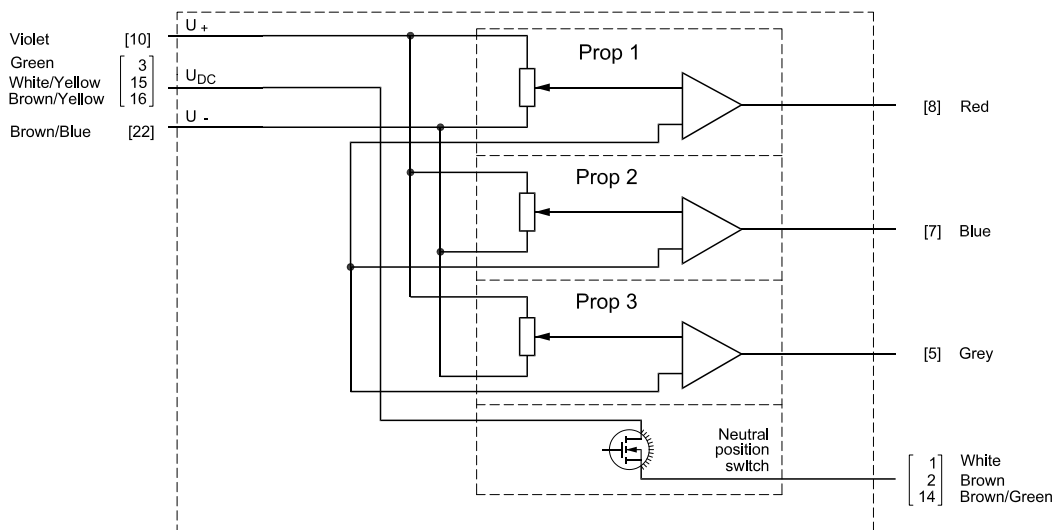
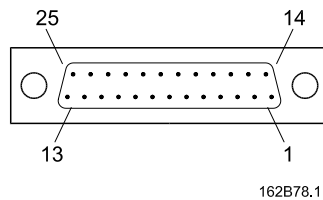
The PVRET series 2 is the successor to the popular PVRET joystick. This joystick builds on the known technology from the Prof family of joystick as well as the traditional handles from the PVRET series 1.

**Version**

Code no. 162F...	1315 (1305)
Symbol	 155B532.11

( ) Incl. PVRE series 1 adapter ring

**Connections**

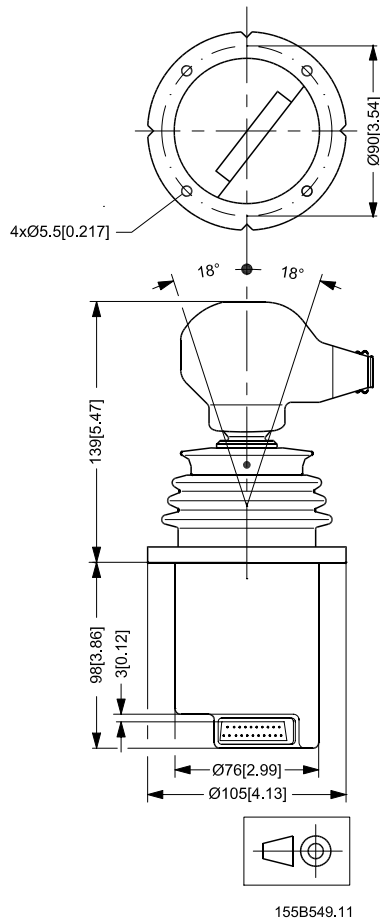


Numbers in [ ] indicate pin number in sub-D connector.

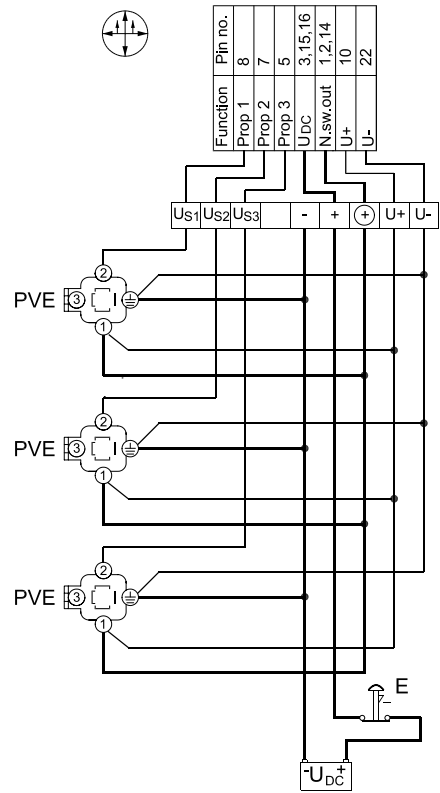
**Technical Data**

Enclosure	Below flange	IP 21	
	Above flange	IP 54	
Ambient temperature		-30 - +60° [-22 - +140°F]	
Supply voltages	$U_{DC}$	10-30 V	
	Max ripple	5%	
Current consumption		≈150 mA	
Signal voltage	$\frac{U_s}{U_{DC}}$	Min → Max	0.25 → 0.75
		Neutral position	0.50
Signal load in neutral position	Load type	PVE	Other
	Load impedance	>6 kΩ	>15 kΩ
Signal current at max movement		$\frac{U_s - 0.5 \times U_{DC}}{6 \text{ k}\Omega}$	$\frac{U_s}{15 \text{ k}\Omega}$
	@ $U_{DC} = 12 \text{ V}$	±0.6 mA	0.2 → 0.6 mA
	@ $U_{DC} = 24 \text{ V}$	±1.2 mA	0.4 → 1.2 mA
Signal current in neutral position	@ $U_{DC} = 12 \text{ V}$	±0 mA	0.4 mA
	@ $U_{DC} = 24 \text{ V}$	±0 mA	0.8 mA
On/Off switch	Max load	0.6 A	
Neutral position switch	Max load	3 A	

**Dimensions**



Examples of Use



E — : Emergency stop  
 — : Signal leads  
 — : Supply leads

155B552.10





Joystick Prof 1, PVRE and PVRET  
Technical Information  
Notes

Notes



Joystick Prof 1, PVRE and PVRET  
Technical Information  
Notes

Notes



Joystick Prof 1, PVRE and PVRET  
Technical Information  
Notes

Notes



**Products we offer:**

- Bent Axis Motors
- Closed Circuit Axial Piston Pumps and Motors
- Displays
- Electrohydraulic Power Steering
- Electrohydraulics
- Hydraulic Power Steering
- Integrated Systems
- Joysticks and Control Handles
- Microcontrollers and Software
- Open Circuit Axial Piston Pumps
- Orbital Motors
- PLUS+1™ GUIDE
- Proportional Valves
- Sensors
- Steering
- Transit Mixer Drives

**Members of the Sauer-Danfoss Group:**

**Comatrol**

[www.comatrol.com](http://www.comatrol.com)

**Schwarz Müller-Inverter**

[www.schwarzmueller-inverter.com](http://www.schwarzmueller-inverter.com)

**Turolla**

[www.turollaocg.com](http://www.turollaocg.com)

**Hydro-Gear**

[www.hydro-gear.com](http://www.hydro-gear.com)

**Sauer-Danfoss-Daikin**

[www.sauer-danfoss-daikin.com](http://www.sauer-danfoss-daikin.com)

**Sauer-Danfoss** is a global manufacturer and supplier of high-quality hydraulic and electronic components. We specialize in providing state-of-the-art technology and solutions that excel in the harsh operating conditions of the mobile off-highway market. Building on our extensive applications expertise, we work closely with our customers to ensure exceptional performance for a broad range of off-highway vehicles.

We help OEMs around the world speed up system development, reduce costs and bring vehicles to market faster.

Sauer-Danfoss – Your Strongest Partner in Mobile Hydraulics.

**Go to [www.sauer-danfoss.com](http://www.sauer-danfoss.com) for further product information.**

Wherever off-highway vehicles are at work, so is Sauer-Danfoss.

We offer expert worldwide support for our customers, ensuring the best possible solutions for outstanding performance. And with an extensive network of Global Service Partners, we also provide comprehensive global service for all of our components.

Please contact the Sauer-Danfoss representative nearest you.

Local address:

Sauer-Danfoss (US) Company  
2800 East 13th Street  
Ames, IA 50010, USA  
Phone: +1 515 239 6000  
Fax: +1 515 239 6618

Sauer-Danfoss ApS  
DK-6430 Nordborg, Denmark  
Phone: +45 7488 4444  
Fax: +45 7488 4400

Sauer-Danfoss GmbH & Co. OHG  
Postfach 2460, D-24531 Neumünster  
Krokamp 35, D-24539 Neumünster, Germany  
Phone: +49 4321 871 0  
Fax: +49 4321 871 122

Sauer-Danfoss-Daikin LTD.  
Shin-Osaka TERASAKI 3rd Bldg. 6F  
1-5-28 Nishimiyahara, Yodogawa-ku  
Osaka 532-0004, Japan  
Phone: +81 6 6395 6066  
Fax: +81 6 6395 8585

[www.sauer-danfoss.com](http://www.sauer-danfoss.com)