



Technical Information

# Orbital Motors

## OMS, OMT and OMV



**Revision history***Table of revisions*

<b>Date</b>	<b>Changed</b>	<b>Rev</b>
February 2016	Corrected Hardening specification for OMSS, OMTS, OMVS	0601
November 2014	Converted to Danfoss layout - DITA CMS	FA
December 2013	Table updated	EL
June 2013	Drawing corrected	EK
April 2013	Drawing corrected	EJ
January 2013	Correct drawing	EI
November 2012	Planetary Gears deleted	EH
July 2012	Typo in 'Major dia'	EG
November 2010	Dimensions changed	EF
November 2009	conversions, and layout adjusted	ED

**Contents**
**Orbital motors**

Characteristic, features and application areas of Orbital Motors.....	5
Characteristic features of Danfoss Orbital Motors.....	5
Technical features of Danfoss Orbital Motor.....	5
The Danfoss Orbital Motors are used in the following application areas:.....	6
Survey of literature with technical data on Danfoss Orbital Motors.....	6

**OMS, OMT and OMV**

Speed, torque and output.....	7
-------------------------------	---

**OMS**

Versions.....	9
Features.....	9
Code numbers.....	10
Ordering.....	10
Technical data.....	11
Maximum permissible shaft seal pressure.....	12
Motor with check valves and without use of drain connection.....	12
Maximum return pressure.....	12
Pressure drop in motor.....	13
Oil flow in drain line.....	13
Direction of shaft rotation.....	13
Permissible shaft loads for OMS.....	13
Function diagrams.....	18
Function diagram use.....	22
Shaft version.....	23
Port thread versions .....	26
Dimensions.....	26
Standard flange—European version.....	27
Standard flange—US version.....	29
Special flange—European version.....	31
A-2 flange—US version.....	32
Magneto flange—US version.....	34
SAE-B flange—US version.....	36
Wheel—European version.....	38
Wheel—US version.....	40
Short—European version.....	42
OMSS.....	43
Installing the OMSS.....	43
Attached component dimensions .....	43
Internal spline data for the component to be attached.....	43
Motor or attached component drain connection.....	44

**OMT**

Versions.....	46
Features.....	46
Code numbers.....	46
Ordering.....	47
Technical data.....	47
Maximum permissible shaft seal pressure.....	47
Motor with check valves and without use of drain connection.....	47
Motor with check valves and with drain connection.....	47
Maximum return pressure.....	48
OMT, OMTW, OMTS, OMT FX OMT FL and OMT FH.....	48
Pressure drop in motor.....	50
Oil flow in drain line.....	50
Direction of shaft rotation.....	51
Permissible shaft loads for OMT.....	51
Function diagrams.....	54
Function diagram use.....	56
Shaft version.....	57

**Contents**

Port thread versions.....	60
Dimensions.....	61
Standard flange—European version.....	61
Standard flange—US version.....	63
Wheel—European version.....	65
Wheel—US version.....	67
Brake-wheel—European version.....	69
Brake-standard—European version.....	71
Short—European version.....	72
OMTS.....	73
Installation.....	73
Attached component dimensions.....	73
Attached component internal splines.....	74
Motor or attached component drain connection.....	75

**OMV**

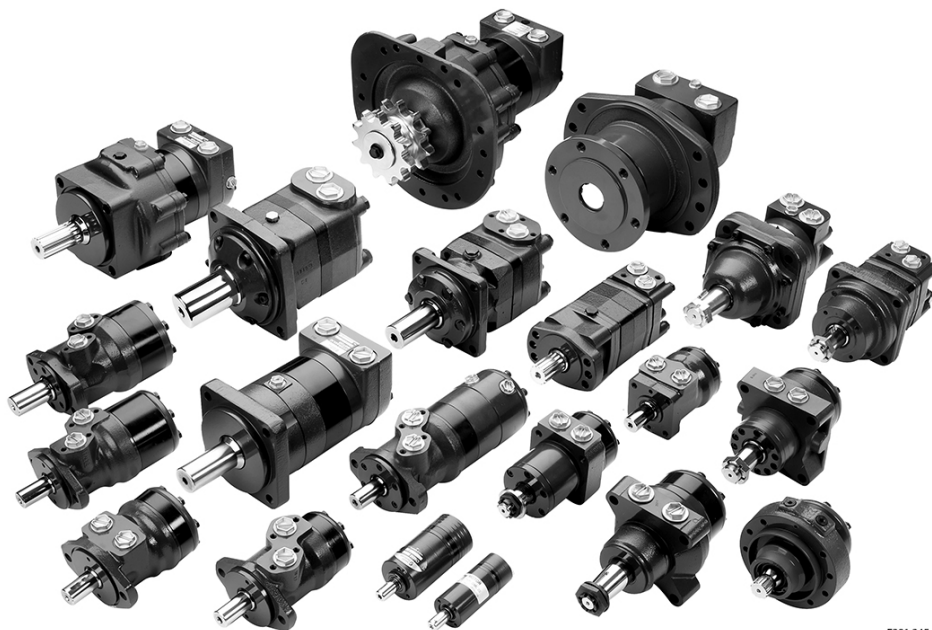
Versions.....	76
Features.....	76
Code numbers.....	76
Ordering.....	77
Technical data.....	77
Technical data for OMV, OMVW and OMVS.....	77
Maximum permissible shaft seal pressure.....	77
Motor with check valves and without use of drain connection.....	77
Maximum return pressure.....	78
Pressure drop in motor.....	78
Oil flow in drain line.....	79
Direction of shaft rotation.....	79
Permissible shaft loads for OMV.....	79
Function diagrams.....	81
Function diagram use.....	84
Shaft version.....	85
Port thread versions.....	88
Dimensions.....	89
Standard flange—European version.....	89
Standard flange—US version.....	91
SAE-C flange—US version.....	93
Wheel—European version.....	95
Wheel—US version.....	97
Short—European version.....	98
OMVS.....	99
Installation.....	99
Attached component dimensions.....	99
Attached component internal splines.....	100
Motor or attached component drain connection.....	101

**Weight of motors**

Code number and weight .....	102
------------------------------	-----

## Orbital motors

### Characteristic, features and application areas of Orbital Motors



F301 245

Danfoss is a world leader within production of low speed orbital motors with high torque. We can offer more than 3,000 different orbital motors, categorised in types, variants and sizes (including different shaft versions).

The motors vary in size (rated displacement) from 8 cm<sup>3</sup> [0.50 in<sup>3</sup>] to 800 cm<sup>3</sup> [48.9 in<sup>3</sup>] per revolution.

Speeds range up to approximate 2,500 min<sup>-1</sup> (rpm) for the smallest type and up to approximate 600 min<sup>-1</sup> (rpm) for the largest type.

Maximum operating torques vary from 13 N•m [115 lbf•in] to 2,700 N•m [24,000 lbf•in] (peak) and maximum outputs are from 2.0 kW [2.7 hp] to 70 kW [95 hp].

#### Characteristic features of Danfoss Orbital Motors

- Smooth running over the entire speed range
- Constant operating torque over a wide speed range
- High starting torque
- High return pressure without the use of drain line (High pressure shaft seal)
- High efficiency
- Long life under extreme operating conditions
- Robust and compact design
- High radial and axial bearing capacity
- For applications in both open and closed loop hydraulic systems
- Suitable for a wide variety of hydraulics fluids

#### Technical features of Danfoss Orbital Motor

The programme is characterised by technical features appealing to a large number of applications and a part of the programme is characterised by motors that can be adapted to a given application. Adaptions comprise the following variants among others:

## Orbital motors

- Motors with corrosion resistant parts
- Wheel motors with recessed mounting flange
- OMP, OMR- motors with needle bearing
- OMR motor in low leakage version
- OMR motors in a super low leakage version
- Short motors without bearings
- Ultra short motors
- Motors with integrated positive holding brake
- Motors with integrated negative holding brake
- Motors with integrated flushing valve
- Motors with speed sensor
- Motors with tacho connection
- All motors are available with black finish paint

### **The Danfoss Orbital Motors are used in the following application areas:**

- Construction equipment
- Agricultural equipment
- Material handling & Lifting equipment
- Forestry equipment
- Lawn and turf equipment
- Special purpose
- Machine tools and stationary equipment
- Marine equipment

## Survey of literature with technical data on Danfoss Orbital Motors

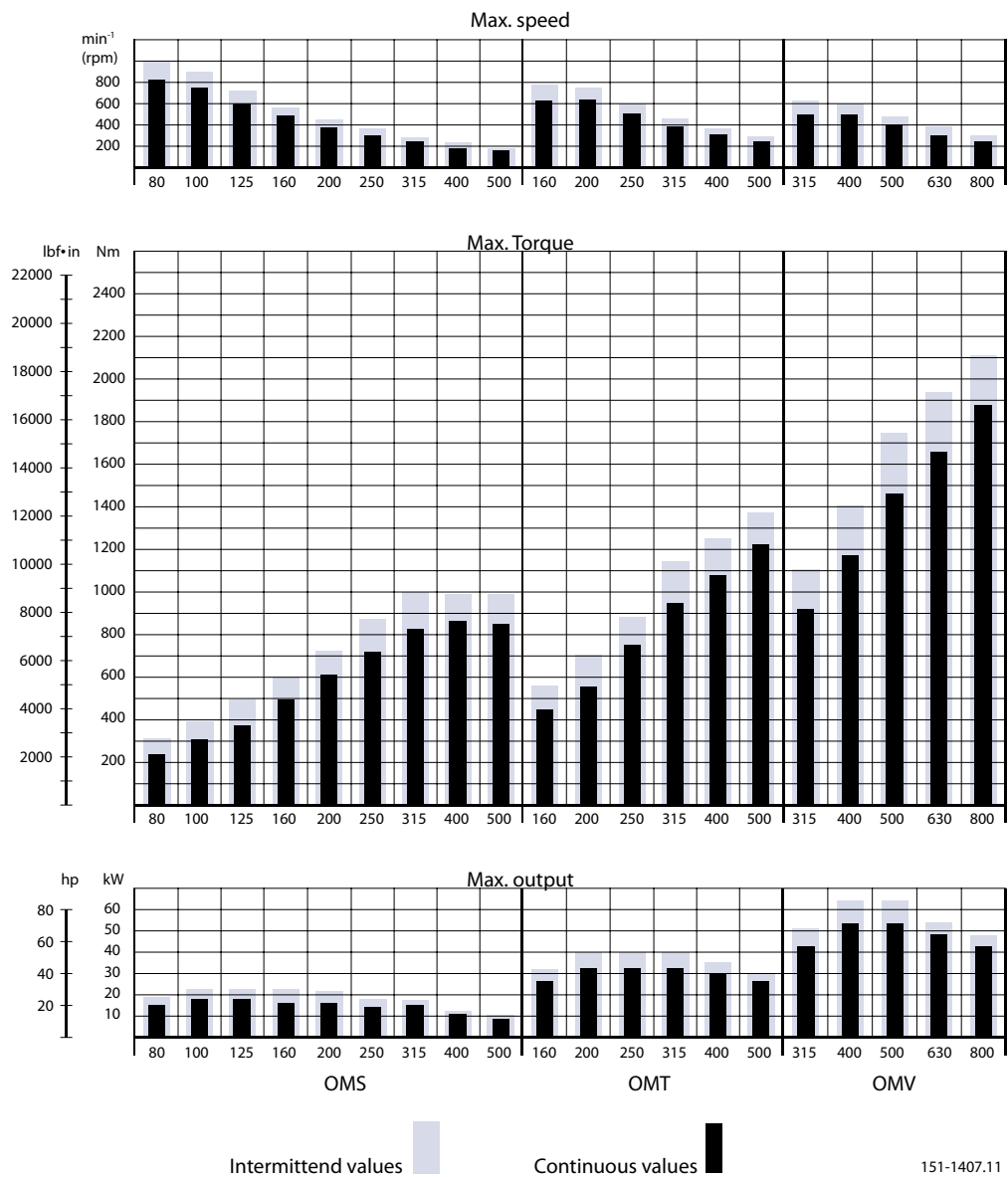
Detailed data on all Danfoss Orbital Motors can be found in our motor catalogue, which is divided into more individual subcatalogues:

- General information on Danfoss Orbital Motors: function, use, selection of orbital motor, hydraulic systems, etc.
- Technical data on small motors: OML and OMM
- Technical data on medium sized motors: OMP, OMR, OMH
- Technical data on medium sized motors: DH and DS
- Technical data on medium sized motors: OMEW
- Technical data on medium sized motors: VMP
- Technical data on medium sized motors: VMR
- Technical data on large motors: OMS, OMT and OMV
- Technical data on large motors: TMK
- Technical data on large motors: TMT
- Technical data on large motors: TMTHW
- Technical data on large motors: TMVW

A general survey brochure on Danfoss Orbital Motors gives a quick motor reference based on power, torque, speed and capabilities.

OMS, OMT and OMV

Speed, torque and output



151-1407.11

The bar diagrams above are useful for a quick selection of relevant motor size for the application. The final motor size can be determined by using the function diagram for each motor size.

- OMS [Function diagrams](#) on page 18
- OMT [Function diagrams](#) on page 54

**OMS, OMT and OMV**

- [OMV \*Function diagrams\*](#) on page 81

The function diagrams are based on actual tests on a representative number of motors from our production. The diagrams apply to a return pressure between 5 and 10 bar [75 and 150 psi] when using mineral based hydraulic oil with a viscosity of 35 mm<sup>2</sup>/s [165 SUS] and a temperature of 50°C [120°F]. For further explanation concerning how to read and use the function diagrams, please consult the paragraph "Selection of motor size" in the technical information "General Orbital motors" 520L0232.



**OMS**
**Versions**
*OMS versions*

Mounting flange	Shaft	Port size	European version	US version	Drain connection	Check valve	Main type designation
Standard flange	Cyl. 32 mm	G 1/2	X		Yes	Yes	OMS
	Cyl. 1.25 in	7/8-14 UNF		X	Yes	Yes	OMS
	Splined 1.25 in	G 1/2	X		Yes	Yes	OMS
		7/8-14 UNF		X	Yes	Yes	OMS
	Tapered 35 mm	G 1/2	X		Yes	Yes	OMS
	Tapered 1.25 in	7/8-14 UNF		X	Yes	Yes	OMS
	P.t.o.	G 1/2	X		Yes	Yes	OMS
Special flange	Splined 1.25 in	G 1/2	X		Yes	Yes	OMS
A-2 flange	Cyl. 1 in	7/8-14 UNF		X	Yes	Yes	OMS
	Cyl. 1.25 in	7/8-14 UNF		X	Yes	Yes	OMS
	Splined 1 in	7/8-14 UNF		X	Yes	Yes	OMS
	Splined 1.25 in	7/8-14 UNF		X	Yes	Yes	OMS
	Tapered 1.25 in	7/8-14 UNF		X	Yes	Yes	OMS
Magneto flange	Cyl. 1 in	7/8-14 UNF		X	Yes	Yes	OMS
	Cyl. 1.25 in	7/8-14 UNF		X	Yes	Yes	OMS
	Splined 1 in	7/8-14 UNF		X	Yes	Yes	OMS
	Splined 1.25 in	7/8-14 UNF		X	Yes	Yes	OMS
SAE B flange	Splined 1.25 in	7/8-14 UNF		X	Yes	Yes	OMS
	Splined 0.875 in	7/8-14 UNF		X	Yes	Yes	OMS
Wheel	Cyl. 32 mm	G 1/2	X		Yes	Yes	OMSW
	Cyl. 1.25 in	7/8-14 UNF		X	Yes	Yes	OMSW
	Tapered 35 mm	G 1/2	X		Yes	Yes	OMSW
	Tapered 1.25 in	7/8-14 UNF		X	Yes	Yes	OMSW
Short	No output shaft	G 1/2	X		Yes	Yes	OMSW

**Features**

Features available (options):

- Speed sensor
- Motor with tacho connection
- High pressure shaft seal
- Viton shaft seal
- Painted
- Ultra short
- Motor with drum brake

**OMS**
**Code numbers**
*OMS code numbers*

Code Numbers	Displacement [cm <sup>3</sup> ]								
	80	100	125	160	200	250	315	400	500
151F	0500	0501	0502	0503	0504	0505	0506	0605	-
151F	2200	2201	2202	2203	2204	2205	2206	2261	2268
151F	0507	0508	0509	0510	0511	0512	0513	-	-
151F	2207	2208	2209	2210	2211	2212	2213	2262	2269
151F	0514	0515	0516	0517	0518	0519	0520	-	-
151F	2214	2215	2216	2217	2218	2219	2220	2264	2270
151F	0560	0561	0562	0563	0564	0565	0566	-	-
151F	0542	0543	0544	0545	0546	0547	0548	-	-
151F	2300	2301	2302	2303	2304	2305	2306	2307	2345
151F	2316	2317	2318	2319	2320	2321	2322	2323	2347
151F	2308	2309	2310	2311	2312	2313	2314	2315	2346
151F	2324	2325	2326	2327	2328	2329	2330	2331	2348
151F	2332	2333	2334	2335	2336	2337	2338	2339	2349
151F	2377	2378	2379	2380	2381	2382	2383	2384	2385
151F	2368	2369	2370	2371	2372	2373	2374	2375	2376
151F	2359	2360	2361	2362	2363	2364	2365	2366	2367
151F	2350	2351	2352	2353	2354	2355	2356	2357	2358
151F	2395	2396	2397	2398	2399	2400	2401	2402	2403
151F	2413	2414	2415	2416	2417	-	-	-	-
151F	0521	0522	0523	0524	0525	0526	0527	0610	-
151F	2235	2236	2237	2238	2239	2240	2241	2265	2266
151F	0528	0529	0530	0531	0532	0533	0534	0609	-
151F	2242	2243	2244	2245	2246	2247	2248	2263	2267
151F	0535	0536	0537	0538	0539	0540	0541	0608	-

**Ordering**

Add the four digit prefix "151F" to the four digit numbers from the chart for complete code number.

Example:

151F0504 for an OMS 200 with standard flange, cyl. 32 mm shaft and port size G 1/2.

Orders will not be accepted without the four digit prefix.

**OMS**
**Technical data**

Type		OMS OMSW OMSS	OMS OMSW OMSS	OMS OMSW OMSS	OMS OMSW OMSS	OMS OMSW OMSS	OMS OMSW OMSS	OMS OMSW OMSS	OMS OMSW OMSS	OMS OMSW OMSS	
Motor size		80	100	125	160	200	250	315	400	500	
Geometric displacement	cm <sup>3</sup> [in <sup>3</sup> ]	80.5 [4.91]	100.0 [6.10]	125.7 [7.67]	159.7 [9.75]	200.0 [12.20]	250.0 [15.26]	314.9 [19.22]	393.0 [23.98]	488.0 [29.78]	
Max. speed	min <sup>-1</sup> [rpm]	cont.	810	750	600	470	375	300	240	190	155
		int. <sup>1)</sup>	1000	900	720	560	450	360	285	230	185
Max. torque	Nm [lbf-in]	cont.	240 [2120]	305 [2700]	375 [3320]	490 [4340]	610 [5400]	720 [6370]	825 [7300]	865 [7660]	850 [7520]
		int. <sup>1)</sup>	310 [2740]	390 [3450]	490 [4340]	600 [5310]	720 [6370]	870 [7700]	1000 [8850]	990 [8760]	990 [8760]
Max. output	kW [hp]	cont.	15.5 [20.8]	18.0 [24.1]	18.0 [24.1]	16.5 [22.1]	16.5 [22.1]	14.5 [19.4]	15.0 [20.1]	11.0 [14.8]	9.0 [12.1]
		int. <sup>1)</sup>	19.5 [26.2]	22.5 [30.2]	22.5 [30.2]	23.0 [30.8]	22.0 [29.5]	18.0 [24.1]	17.0 [22.8]	12.5 [16.8]	10.5 [14.1]
Max. pressure drop	bar [psi]	cont.	210 [3050]	210 [3050]	210 [3050]	210 [3050]	210 [3050]	200 [2900]	200 [2900]	160 [2320]	120 [1740]
		int. <sup>1)</sup>	275 [3990]	275 [3990]	275 [3990]	260 [3770]	250 [3630]	250 [3630]	240 [3480]	190 [2760]	140 [2030]
		peak <sup>2)</sup>	295 [4280]	295 [4280]	295 [4280]	280 [4060]	270 [3920]	270 [3920]	260 [3770]	210 [3050]	160 [2320]
Max. oil flow	l/min [USgal/min]	cont.	65 [17.2]	75 [19.8]	75 [19.8]	75 [19.8]	75 [19.8]	75 [19.8]	75 [19.8]	75 [19.8]	75 [19.8]
		int. <sup>1)</sup>	80 [21.1]	90 [23.8]	90 [23.8]	90 [23.8]	90 [23.8]	90 [23.8]	90 [23.8]	90 [23.8]	90 [23.8]
Max. starting pressure with unloaded shaft	bar [psi]	12 [175]	10 [145]	10 [145]	8 [115]	8 [115]	8 [115]	8 [115]	8 [115]	8 [115]	
Min. starting torque	at max. press. drop cont. Nm [lbf-in]	180 [1590]	230 [2040]	290 [2570]	370 [3270]	470 [4160]	560 [4960]	710 [6280]	710 [6280]	660 [5840]	
	at max. press. drop int. <sup>1)</sup> Nm [lbf-in]	235 [2080]	300 [2660]	380 [3360]	460 [4070]	560 [4960]	700 [6200]	850 [7520]	840 [7430]	770 [6820]	

Type			Max. inlet pressure	Max. return pressure with drain line
OMS OMSW OMSS	bar [psi]	cont.	230 [3340]	140 [2030]
	bar [psi]	int. <sup>1)</sup>	295 [4280]	175 [2540]
	bar [psi]	peak <sup>2)</sup>	300 [4350]	210 [3050]

			Splined 1 in	Cyl. 1 in	Splined 0.875 in
*Max torque for shaft type	Nm [lbf-in]	cont.	360 [3190]	300 [2660]	200 [1770]
		int. <sup>1)</sup>	450 [3980]	410 [3630]	200 [1770]

<sup>1)</sup> Intermittent operation: the permissible values may occur for max. 10% of every minute.

<sup>2)</sup> Peak load: the permissible values may occur for max. 1% of every minute.

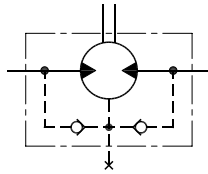
[For max. permissible combination of flow and pressure, see function diagram for actual motor.](#)

OMS

**Maximum permissible shaft seal pressure**

**Motor with check valves and without use of drain connection**

The pressure on the shaft seal never exceeds the pressure in the return line.

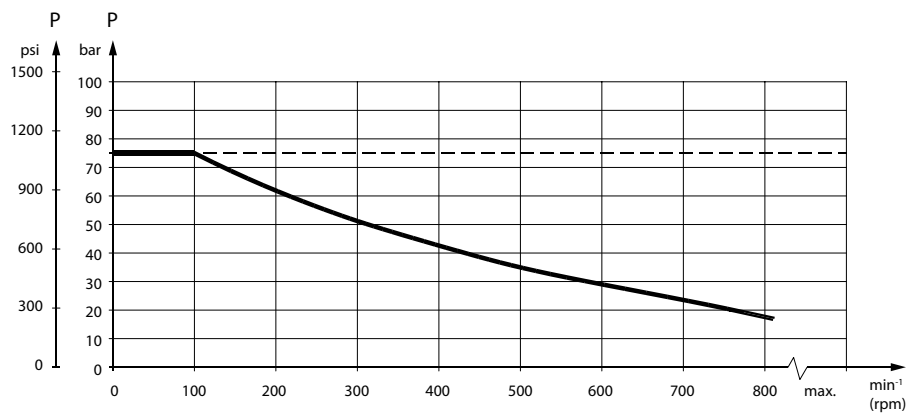


151-320.10

**Maximum return pressure**

The shaft seal pressure equals the pressure on the drain line.

Maximum return pressure without drain line or maximum pressure in the drain line



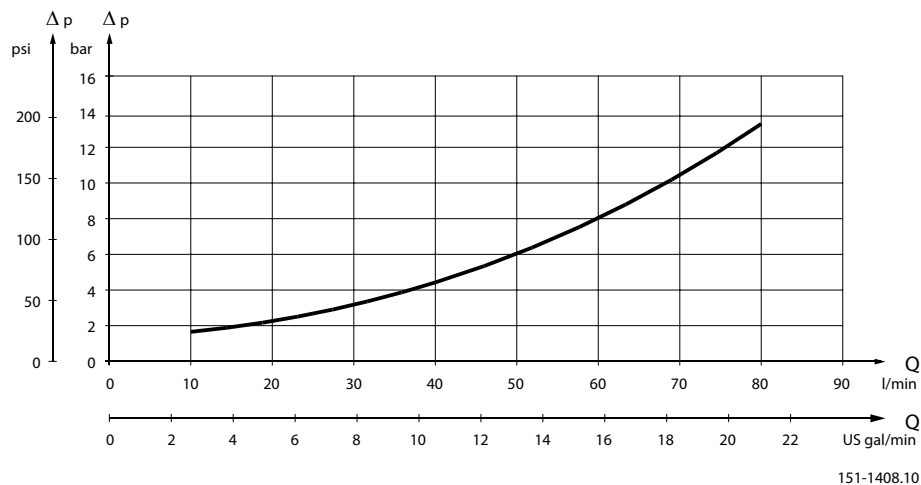
151-1674.10

----- Intermittent operation: the permissible values may occur for max. 10% of every minute.

———— Continuous operation

OMS

**Pressure drop in motor**



151-1408.10

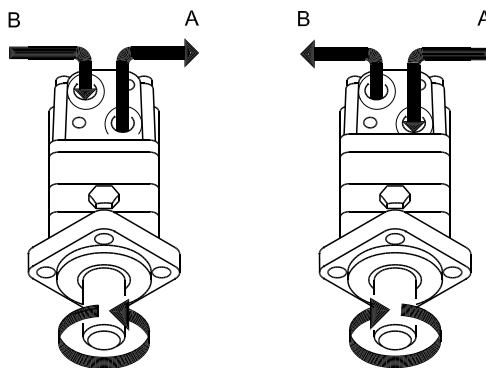
The curve applies to an unloaded motor shaft and an oil viscosity of 35 mm<sup>2</sup>/s [165 SUS]

**Oil flow in drain line**

Maximum oil flow in the drain line at a return pressure less than 5-10 bar [75-150 psi]

Pressure drop bar [psi]	Viscosity mm <sup>2</sup> /s [SUS]	Oil flow in drain line l/min [US gal/min]
140 [2030]	20 [100]	1.5 [0.40]
	35 [165]	1.0 [0.26]
210 [3050]	20 [100]	3.0 [0.79]
	35 [165]	2.0 [0.53]

**Direction of shaft rotation**



151-843.10

**Permissible shaft loads for OMS**

**Mounting flange:**

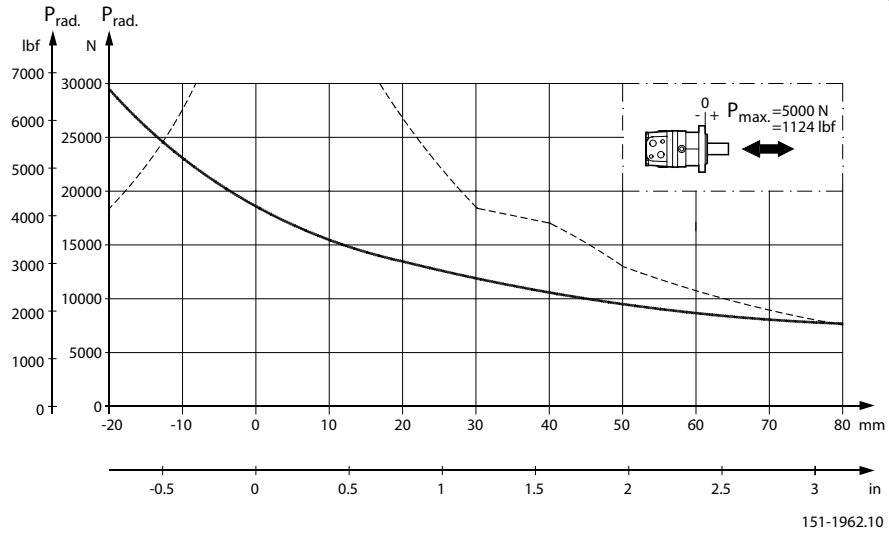
Standard – A-2 – Magneto – SAE B

OMS

**Shaft:**

Cyl. 32 mm – Cyl. 1.25 in – Splined 1.25 in.

Tapered 35 mm – Tapered 1.25 in – P.t.o.

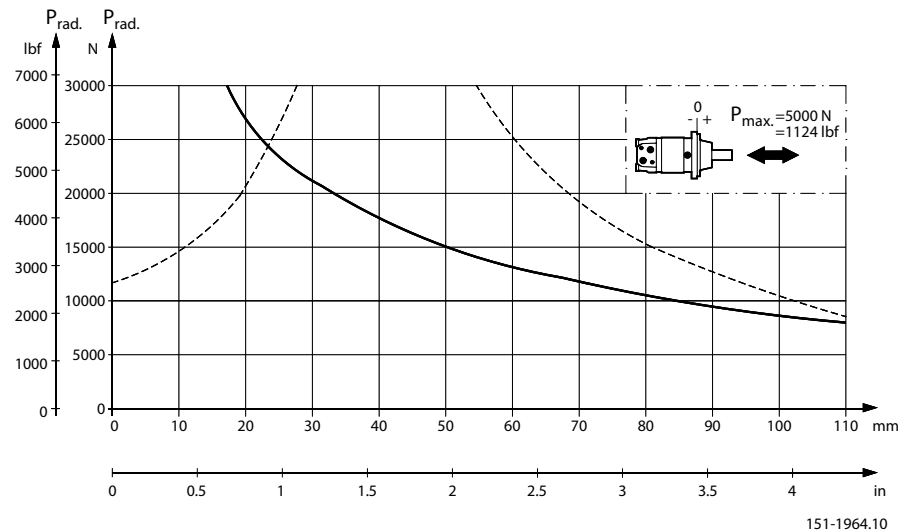


**Mounting flange:**

Wheel

**Shaft:**

All shaft types



The output shaft runs in tapered roller bearings that permit high axial and radial forces.

The permissible radial load on the shaft is shown for an axial load of 0 N as a function of the distance from the mounting flange to the point of load application.

**OMS**

The curve is based on B10 bearing life (2000 hours or 12,000,000 shaft revolutions at 100 min<sup>-1</sup>) at rated output torque, when mineral-based hydraulic oil with a sufficient content of anti-wear additives, is used.

For 3,000,000 shaft revolutions or 500 hours – increase these shaft loads with 52%.

The dash curve shows maximum radial shaft load. Any shaft load exceeding the values shown in the curve will involve a risk of breakage.

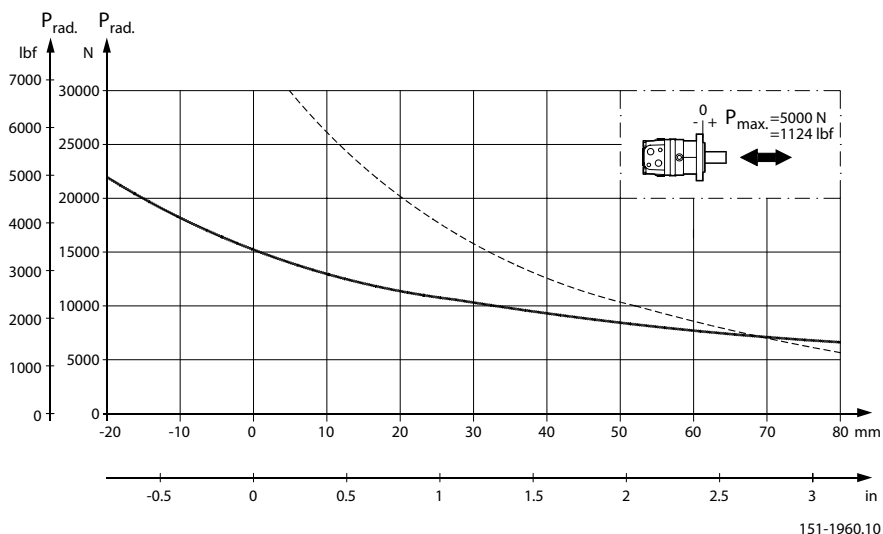
Bearing life calculations can be made using the explanation and formula provided in the chapter "Bearing dimensioning" in the technical information "General Orbital motors" 520L0232.

**Mounting flange:**

Special

**Shaft:**

Splined 1.25 in



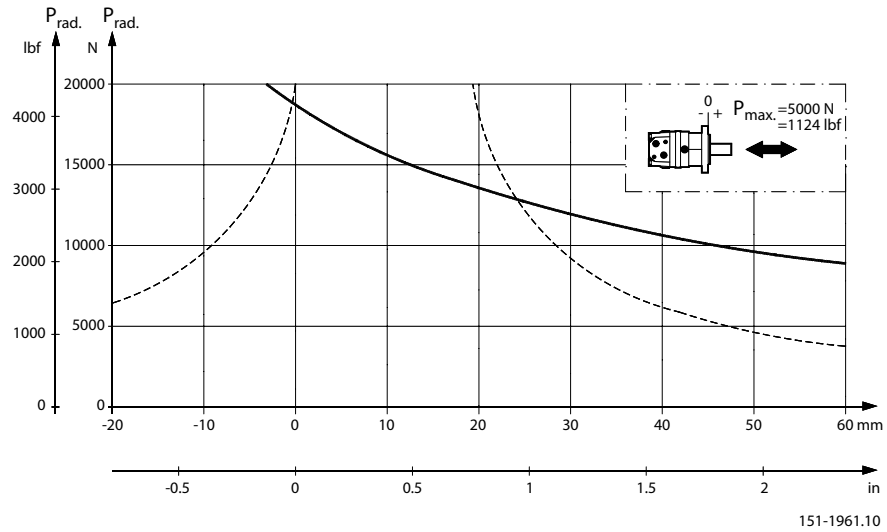
**Mounting flange:**

A-2 – Magneto

**Shaft:**

Cyl. 1 in – Splined 1 in

OMS



The output shaft runs in tapered roller bearings that permit high axial and radial forces.

The permissible radial load on the shaft is shown for an axial load of 0 N as a function of the distance from the mounting flange to the point of load application.

The curve is based on B10 bearing life (2000 hours or 12,000,000 shaft revolutions at 100 min<sup>-1</sup>) at rated output torque, when mineral-based hydraulic oil with a sufficient content of anti-wear additives, is used.

For 3,000,000 shaft revolutions or 500 hours – increase these shaft loads with 52%.

The dash curve shows max. radial shaft load. Any shaft load exceeding the values shown in the curve will involve a risk of breakage.

Bearing life calculations can be made using the explanation and formula provided in the chapter "Bearing dimensioning" in the technical information "General Orbital motors" 520L0232.

**Mounting flange:**

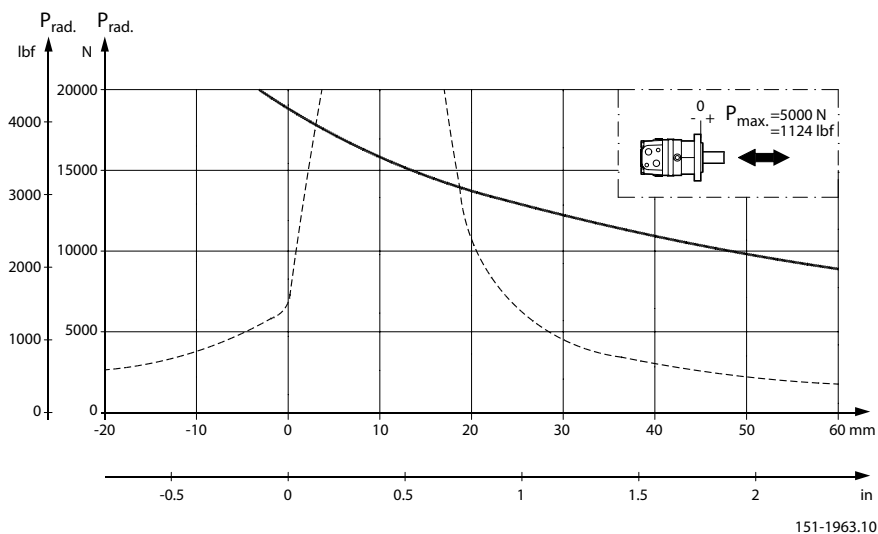
SAE B

**Shaft:**

Splined 0.875 in



OMS



The output shaft runs in tapered roller bearings that permit high axial and radial forces.

The permissible radial load on the shaft is shown for an axial load of 0 N as a function of the distance from the mounting flange to the point of load application.

The curve is based on B10 bearing life (2000 hours or 12,000,000 shaft revolutions at  $100 \text{ min}^{-1}$ ) at rated output torque, when mineral-based hydraulic oil with a sufficient content of anti-wear additives, is used.

For 3,000,000 shaft revolutions or 500 hours – increase these shaft loads with 52%.

The dash curve shows max. radial shaft load. Any shaft load exceeding the values shown in the curve will involve a risk of breakage.

Bearing life calculations can be made using the explanation and formula provided in the chapter "Bearing dimensioning" in the technical information "General Orbital motors" 520L0232.

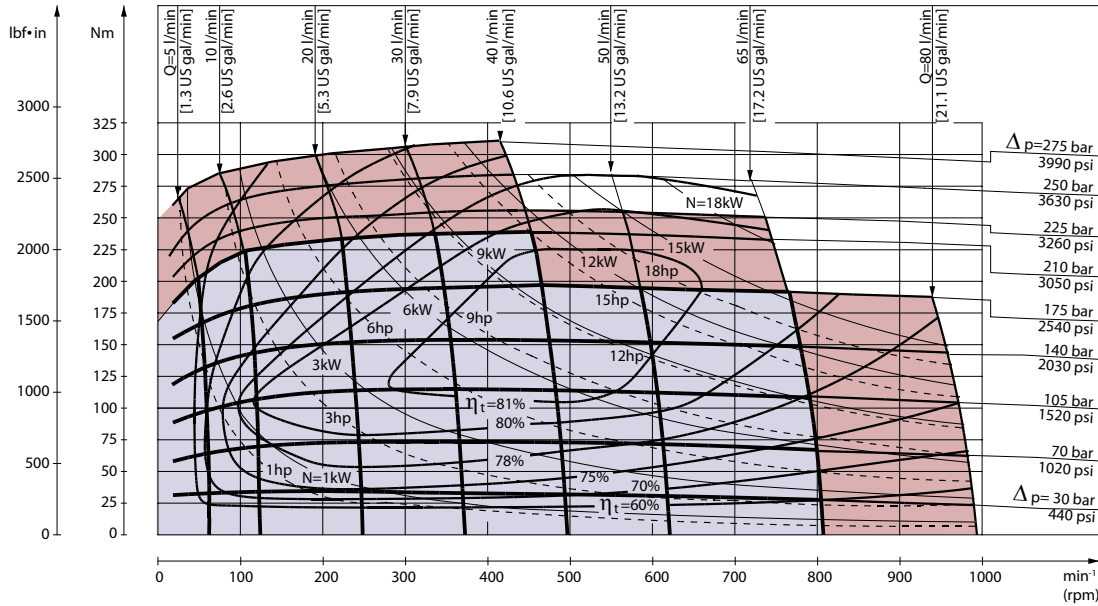
OMS

Function diagrams

Continuous range

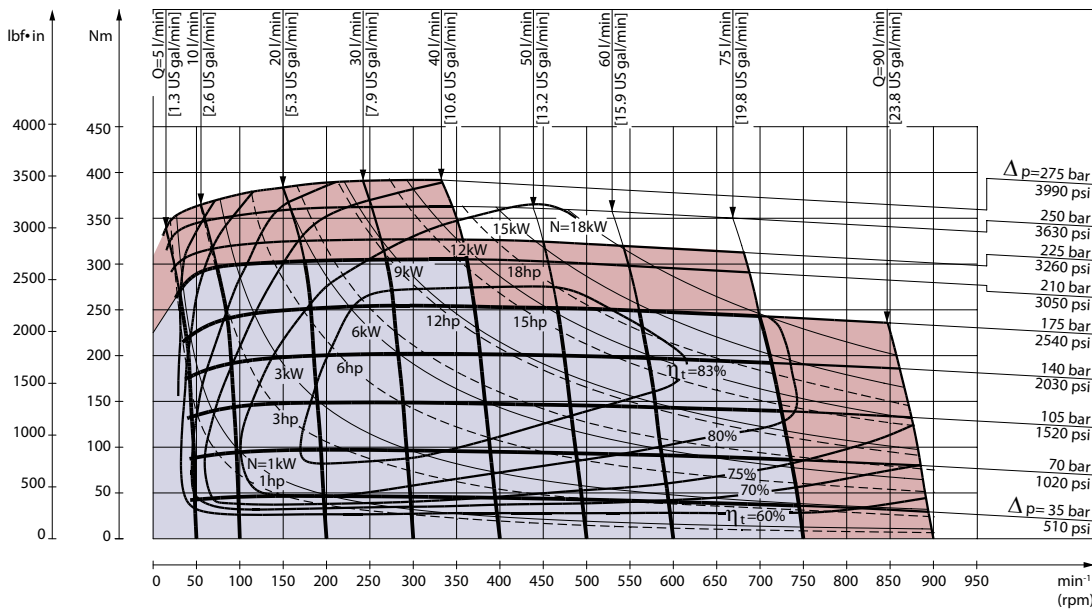
Intermittent range (maximum 10% operation every minute)

OMS 80



151-901.10

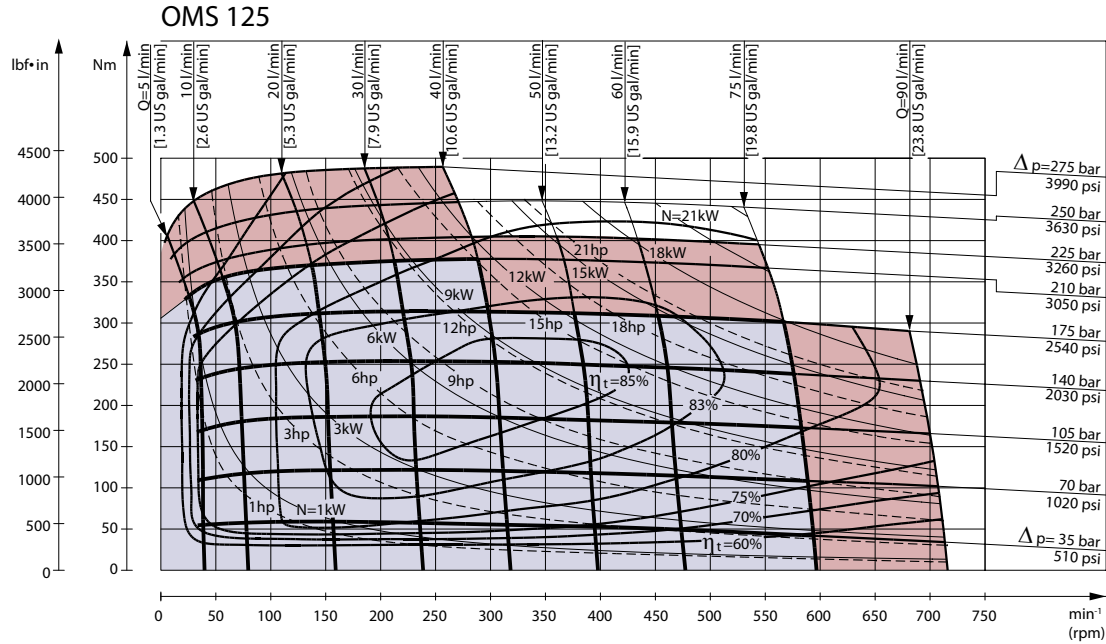
OMS 100



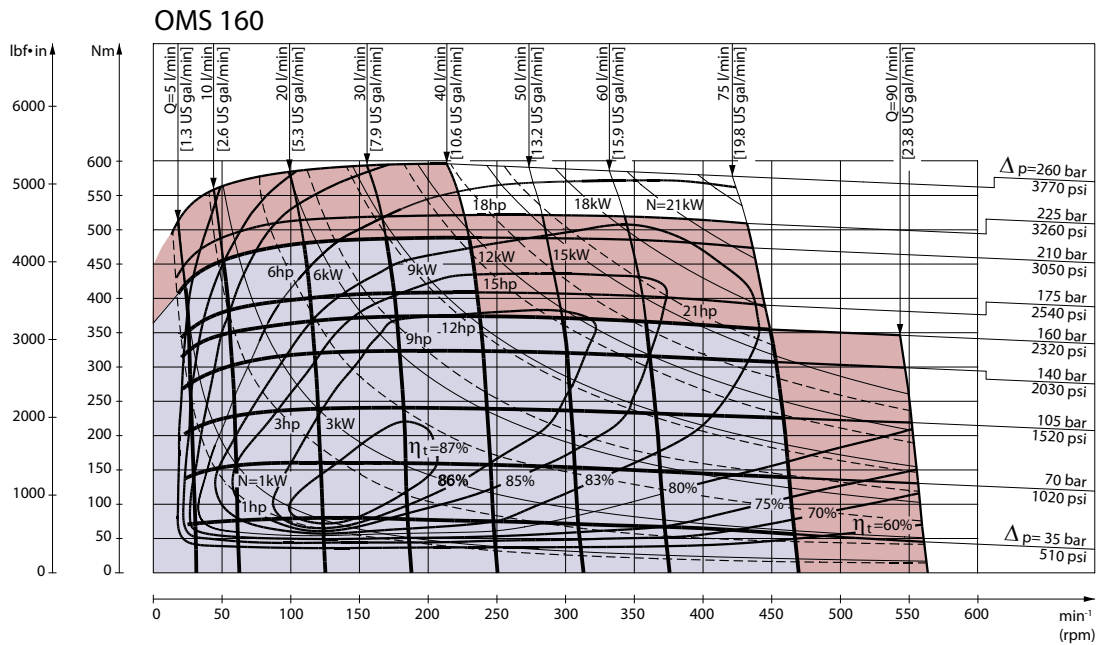
151-902.10

9hp

OMS

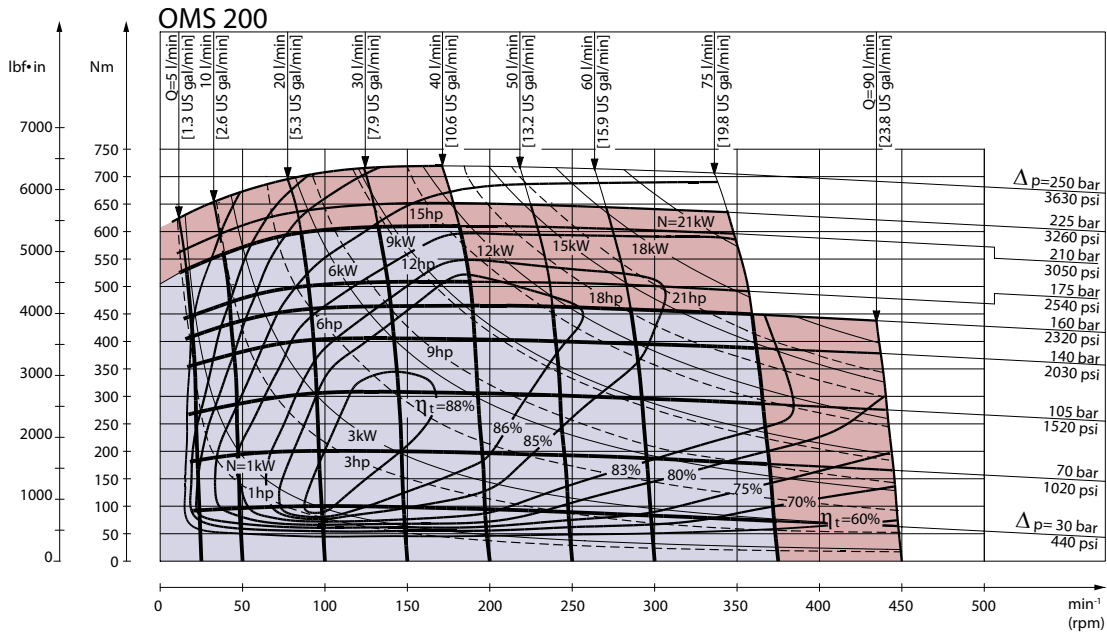


151-903.10

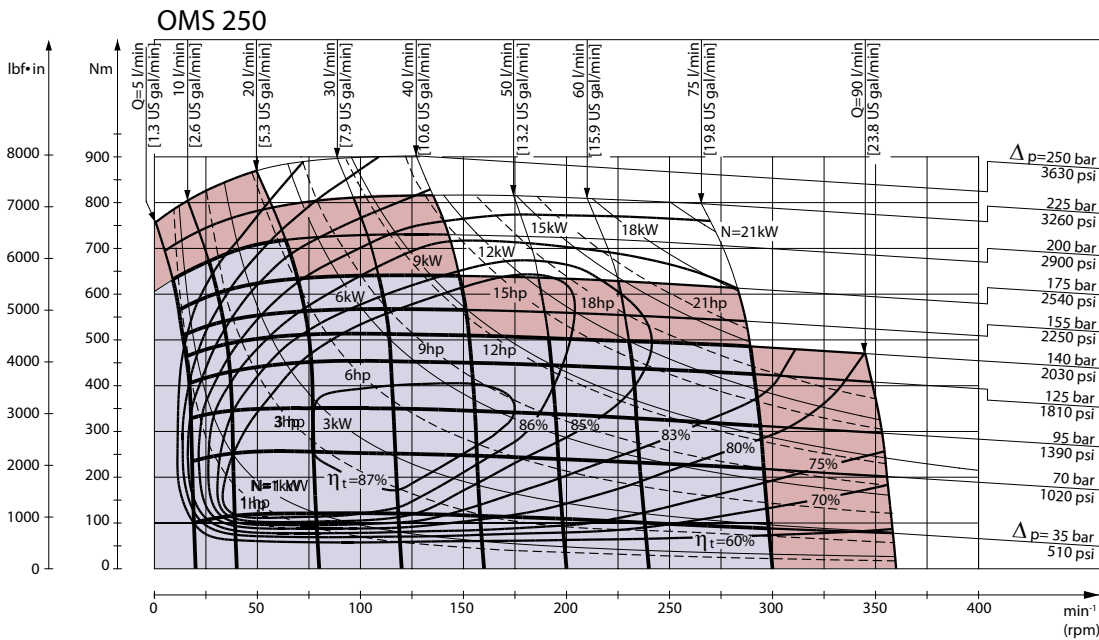


151-904.11

OMS



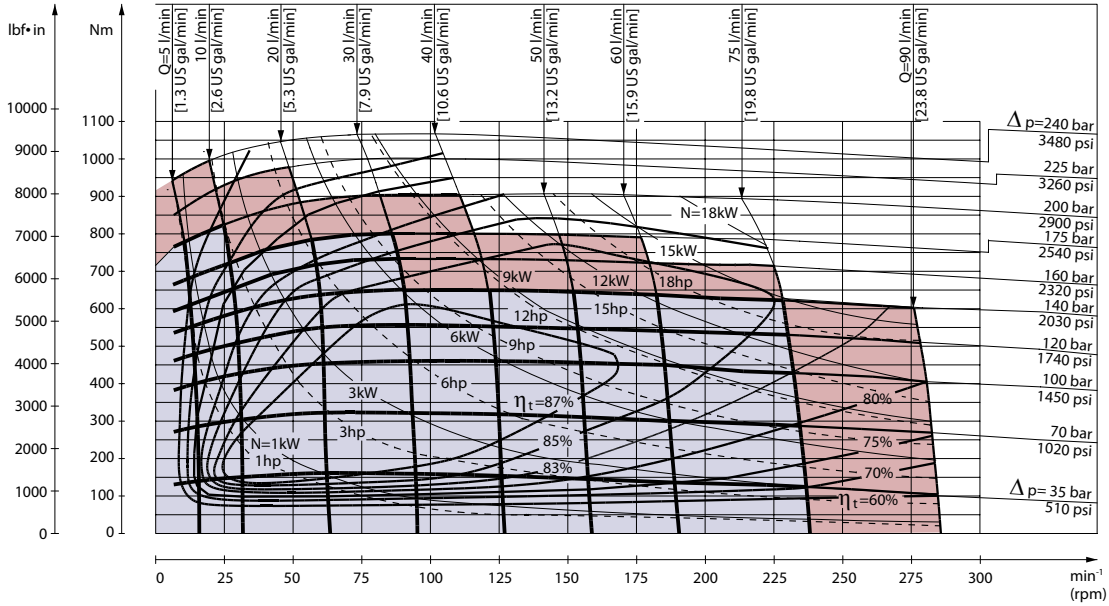
151-905.10



151-1039.10

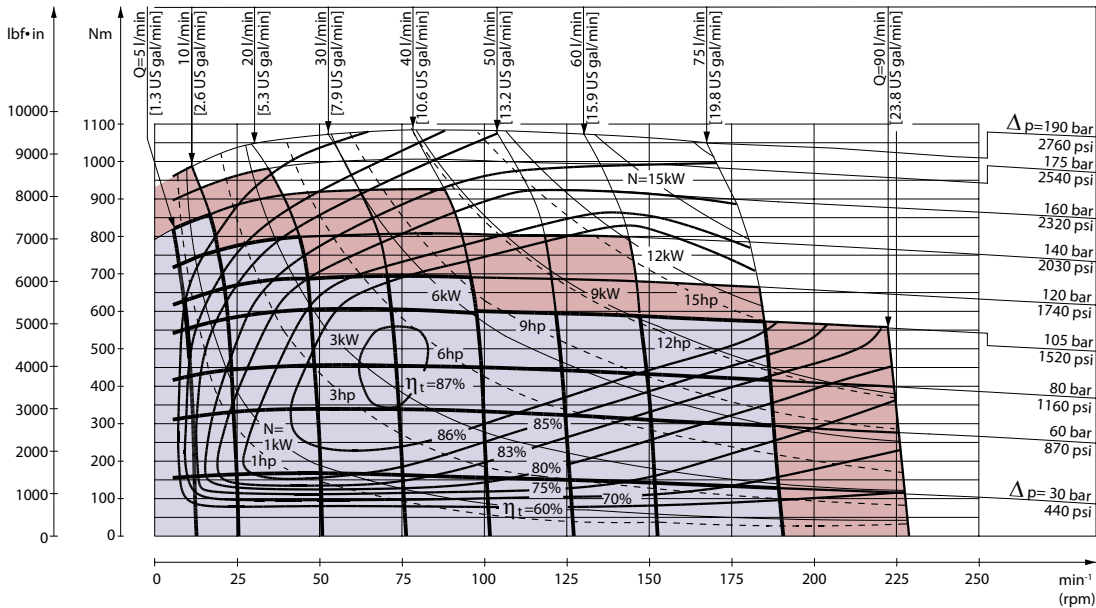
OMS

OMS 315



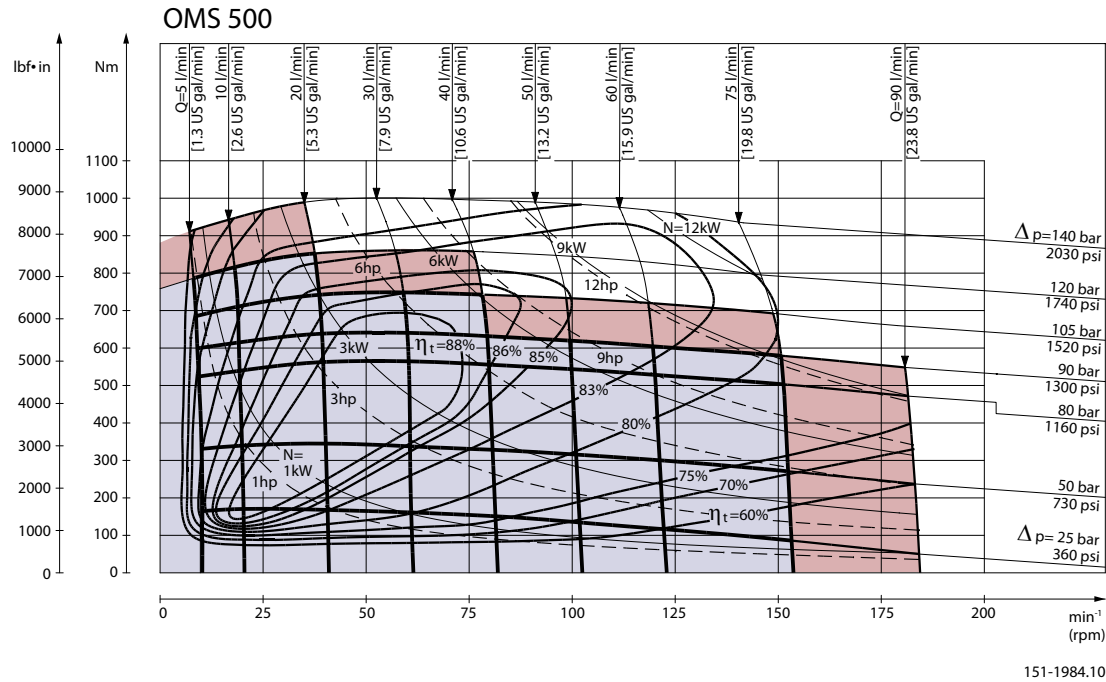
151-906.10

OMS 400



151-1491.10

OMS



**Function diagram use**

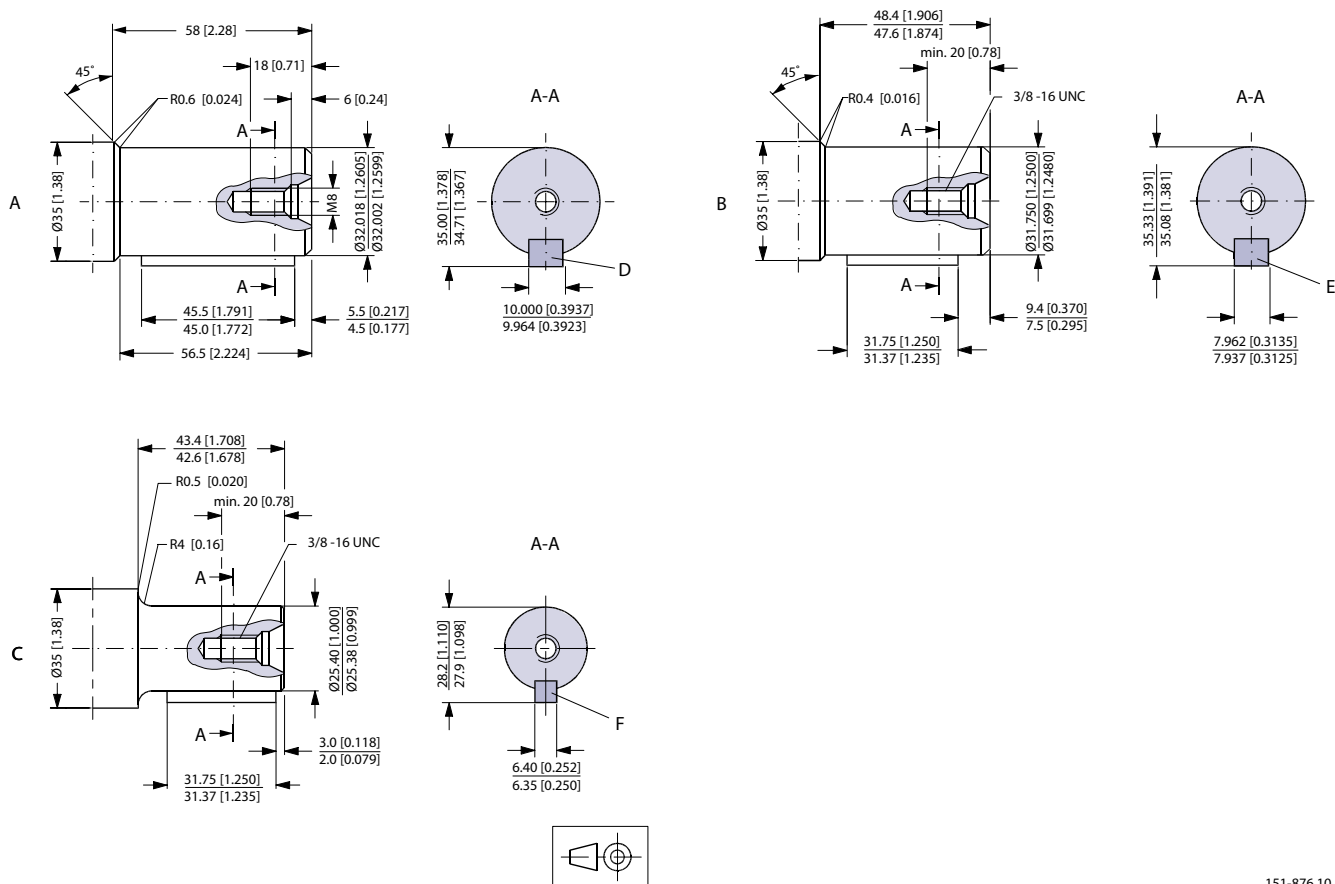
Explanation of function diagram use, basis and conditions, see [Speed, torque and output](#) on page 7.

Maximum permissible continuous/intermittent torque for the actual shaft version, see [Technical data](#) on page 11.

Intermittent pressure drop and oil flow must not occur simultaneously.

OMS

Shaft version



151-876.10

**A** Cylindrical 32 mm shaft

**D** Parallel key  
A10 × 8 × 45  
DIN 6885  
Keyway deviates from standard

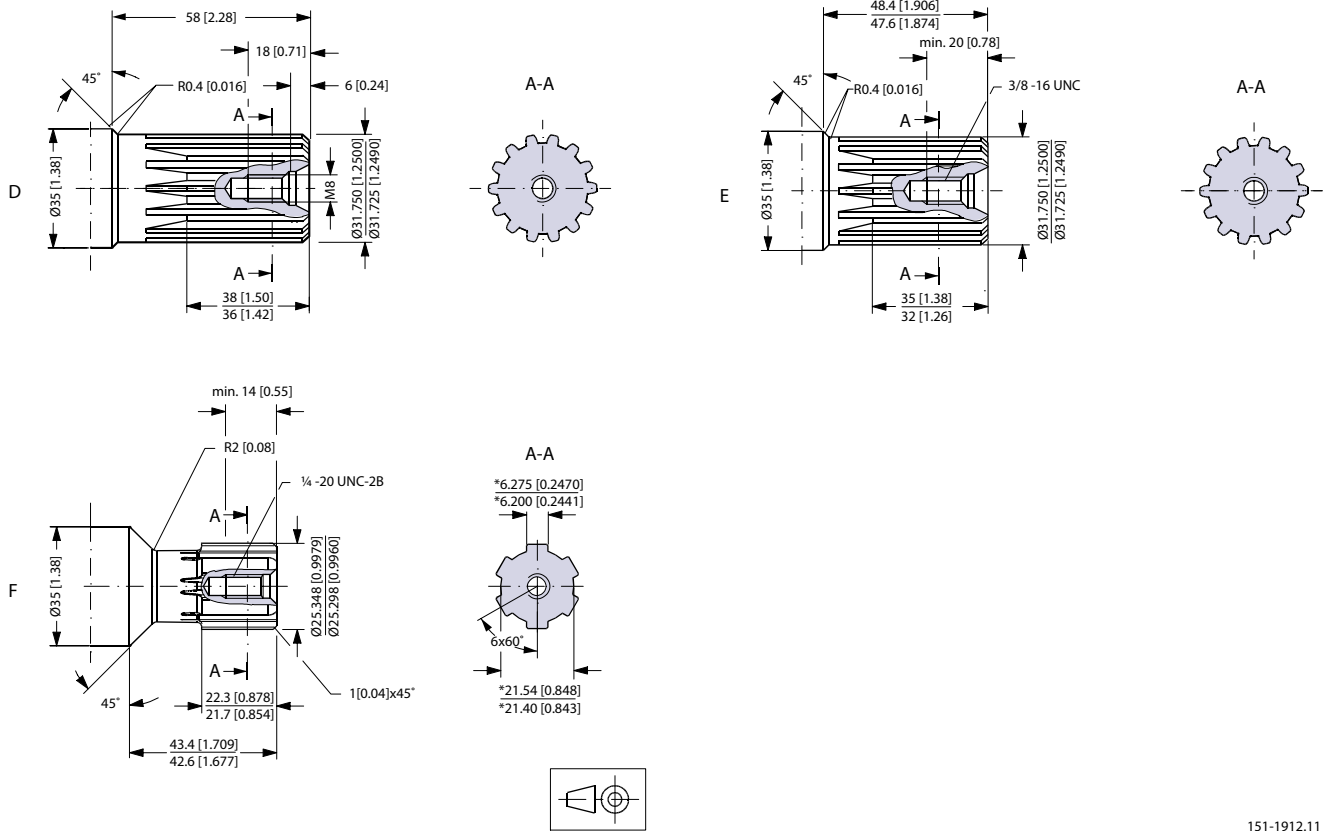
**B** Cylindrical 1.25 in shaft

**E** Parallel key  
5/16 × 5/16 × 11/4 in  
SAE J744  
Keyway deviates from standard

**C** Cylindrical 1 in shaft

**F** Parallel key  
1/4 × 1/4 × 11/4 in  
B.S. 46  
Keyway deviates from standard

**OMS**



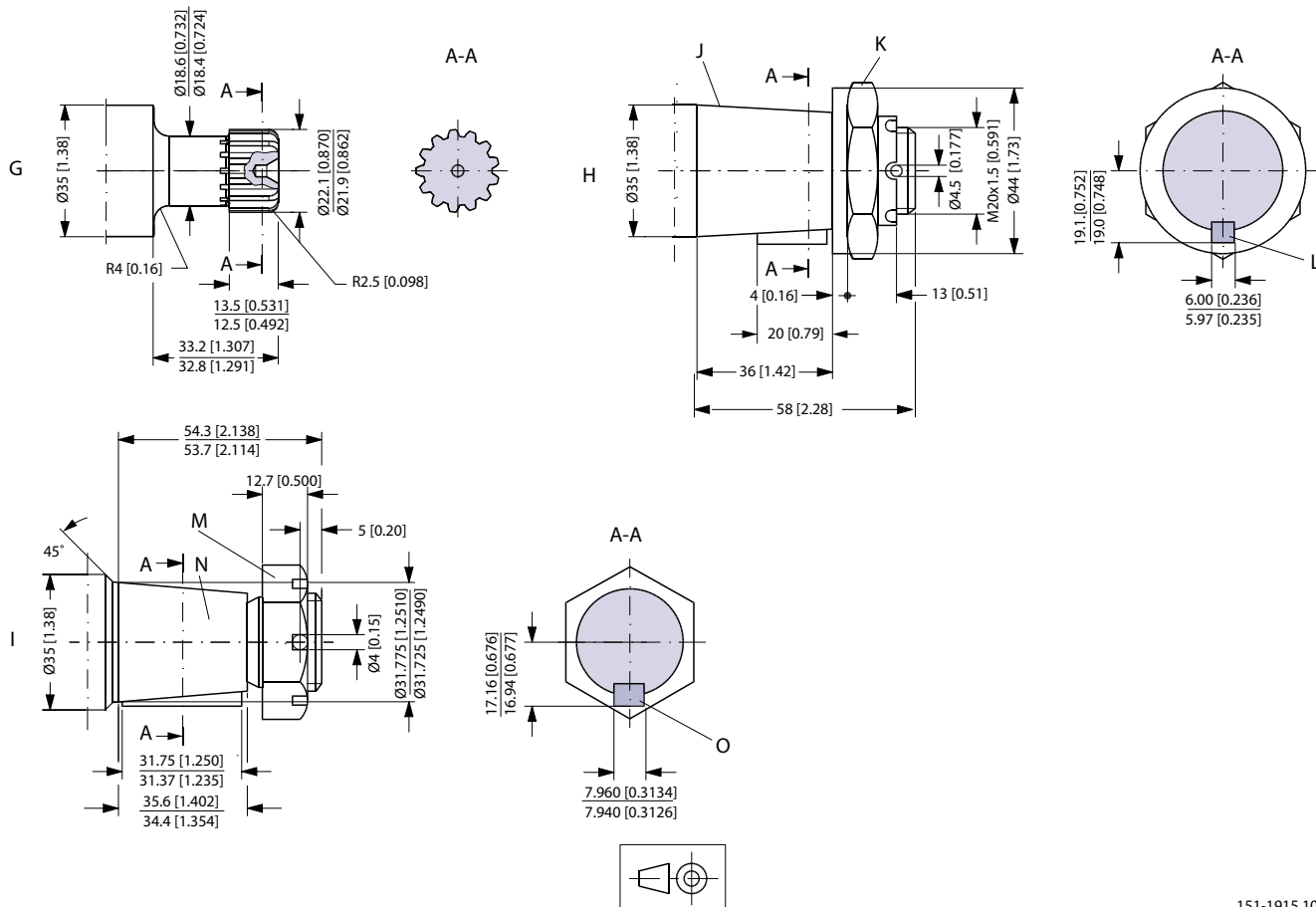
**D** Involute splined shaft  
ANS B92.1 - 1970 standard  
Flat root side fit  
Pitch 12/24  
Teeth 14  
Major diameter 1.25 in  
Pressure angle 30°

**E US version**  
Involute splined shaft  
ANS B92.1 - 1970 standard  
Flat root side fit  
Pitch 12/24  
Teeth 14  
Major diameter 1.25 in  
Pressure angle 30°

**F** Splined shaft  
SAE 6 B (B.S. 2059)  
Straight-sided, bottom fitting, deep  
Fit 2  
Nominal size 1 in  
\*Deviates from SAE 6 B (B.S. 2059)

151-1912.11



**OMS**


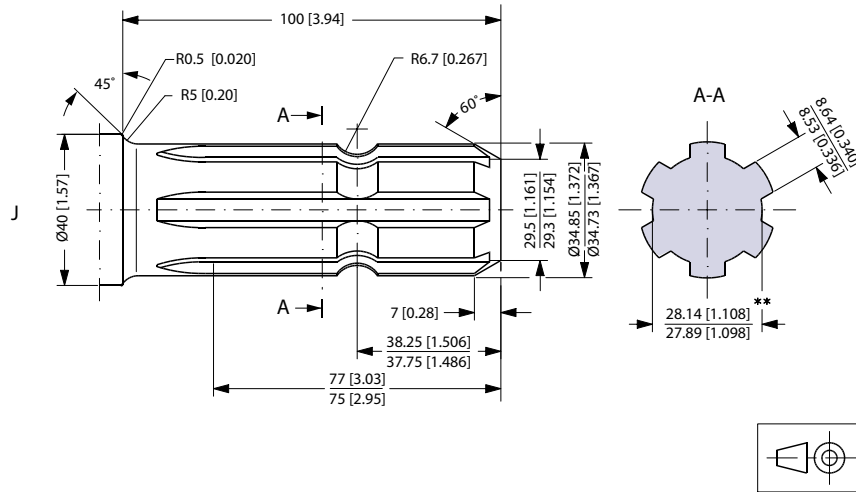
151-1915.10

- G** Involute splined shaft  
ANS B92.1 - 1970 standard  
Flat root side fit  
Pitch 16/32  
Teeth 13  
Major dia. 0.875 in  
Pressure angle 30°
- I** Tapered 1 1/4 in shaft

- H** Tapered 35 mm shaft  
(ISO/R775)
- K** DIN 937  
Across flats: 41 mm  
Tightening torque: 200 ± 10 Nm [1770 ± 85 lbf-in]
- J** Taper 1:10
- L** Parallel key  
B6 × 6 × 20  
DIN 6885  
Keyway deviates from standard

- I** Tapered 1 1/4 in shaft
- M** 1 - 20 UNEF  
Across flats 1 7/16 in  
Tightening torque: 200 ± 10 Nm (1770 ± 85 lbf-in)
- N** Cone 1:8  
SAE J501
- O** Parallel key  
5/16 × 5/16 × 1 1/4  
SAE J501  
Keyway deviates from standard

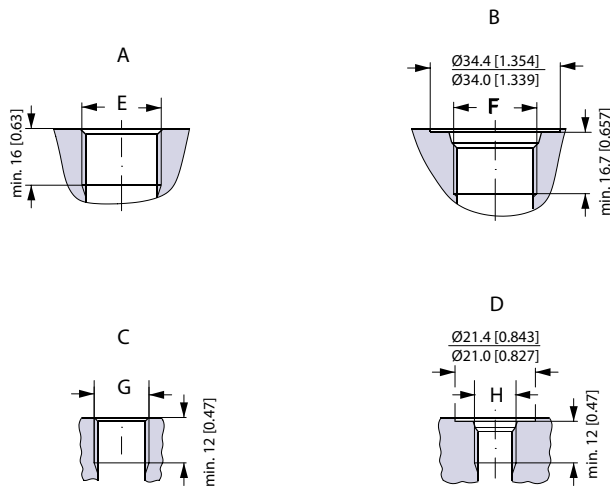
**OMS**



151-1948.10

- J** P.t.o. shaft  
DIN 9611 Form 1  
(ISO/R500 without pin hole)  
\*\* Deviates from DIN 9611

**Port thread versions**



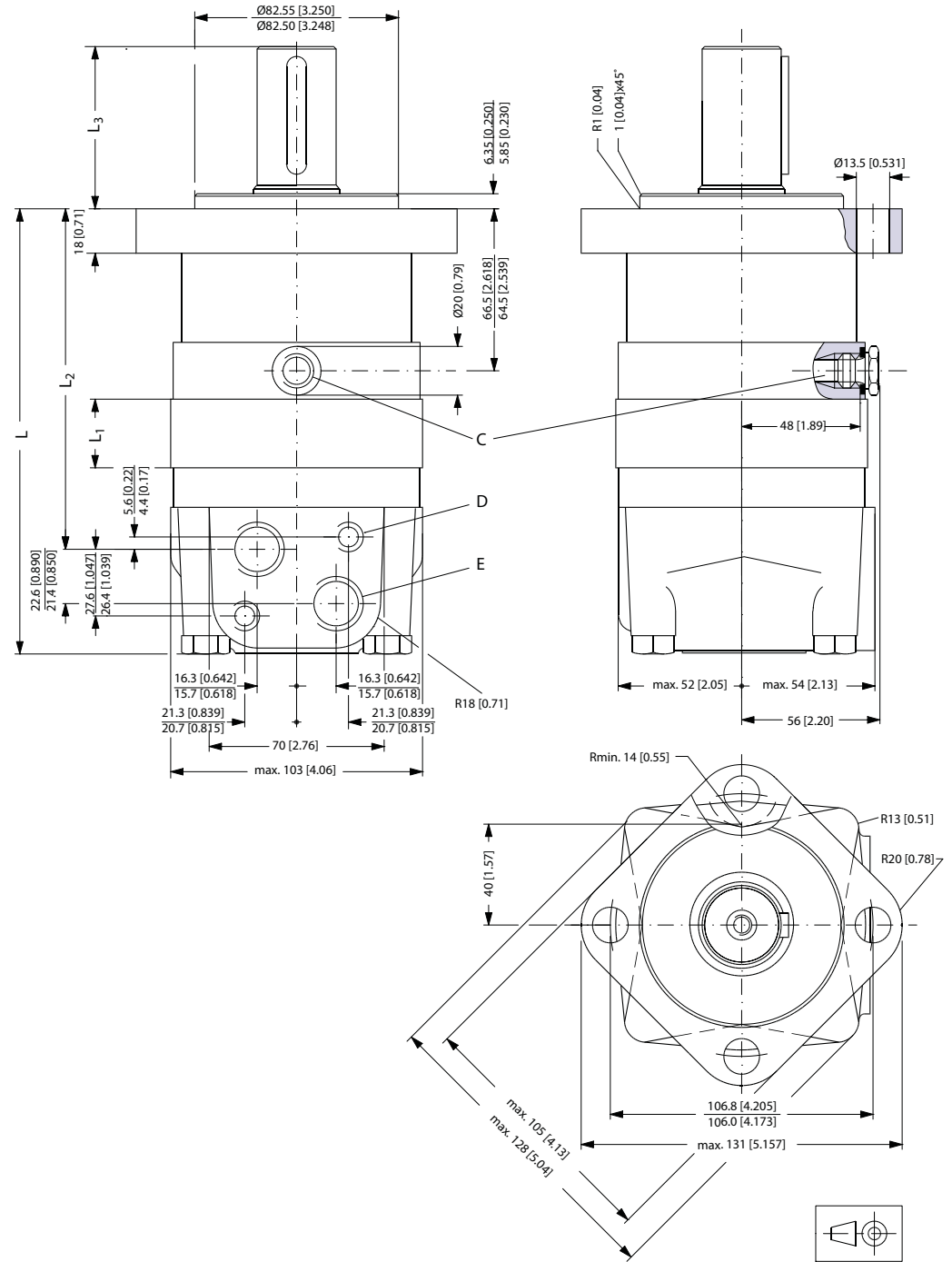
151-1971.11

- |  |                         |
|--|-------------------------|
| <b>A</b> G main ports                      | <b>B</b> UNF main ports |
| <b>E</b> ISO 228/1 - G1/2 O-ring boss port | <b>F</b> 7/8 - 14 UNF   |
| <b>C</b> G drain port                      | <b>D</b> UNF drain port |
| <b>G</b> ISO 228/1 - G1/4 O-ring boss port | <b>H</b> 7/16 - 20 UNF  |

**Dimensions**

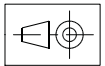
OMS

Standard flange—European version



**C:** Drain connection  
G 1/4; 12 mm [0.47 in] deep  
**E:** G 1/2; 15 mm [0.59 in] deep

**D:** M10; 13 mm [0.51 in] deep

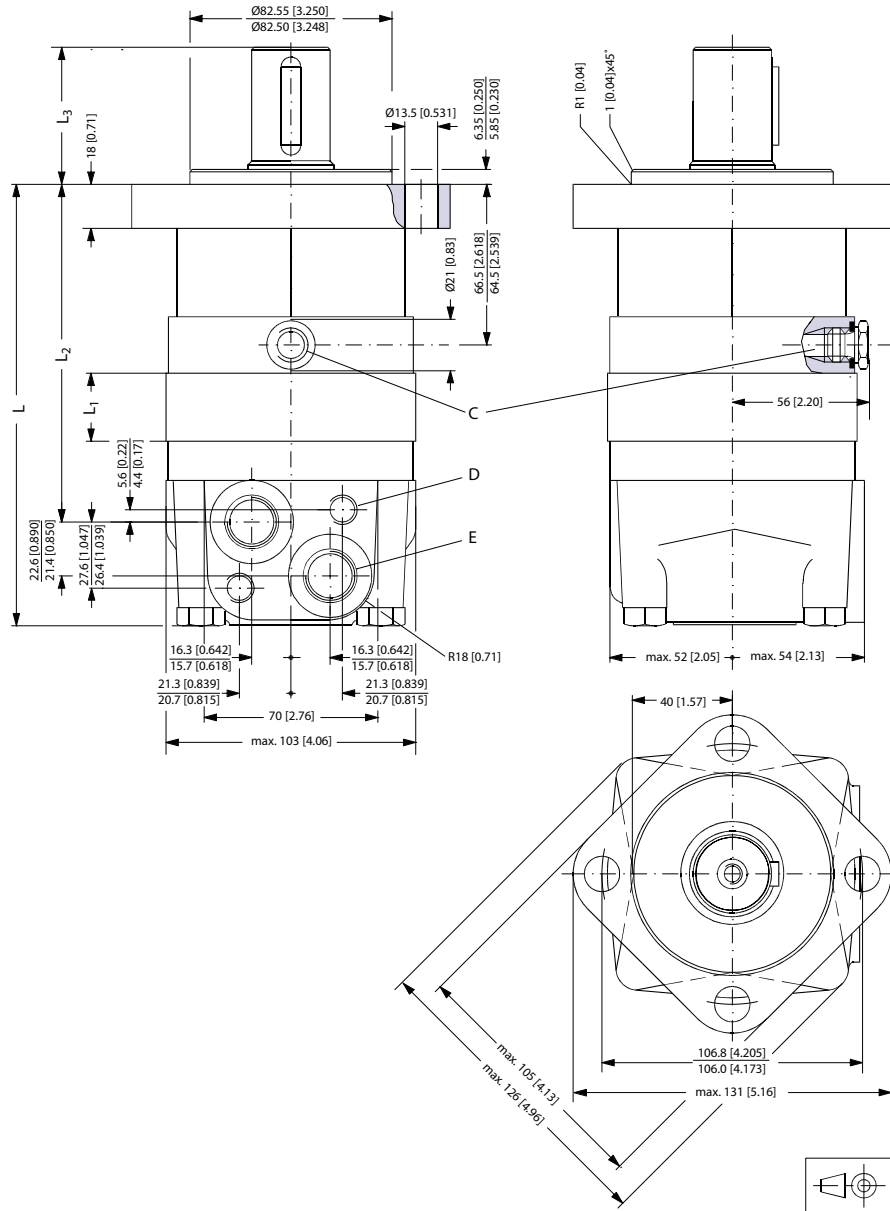


151-1809.10

**OMS**

Type	L <sub>max</sub> mm [in]	L <sub>1</sub> mm [in]	L <sub>2</sub> mm [in]
OMS 80	167 [6.57]	14.0 [0.551]	124 [4.88]
OMS 100	170 [6.69]	17.4 [0.685]	127 [5.00]
OMS 125	175 [6.89]	21.8 [0.858]	132 [5.20]
OMS 160	181 [7.13]	27.8 [1.094]	138 [5.43]
OMS 200	188 [7.40]	34.8 [1.370]	145 [5.71]
OMS 250	196 [7.72]	43.5 [1.713]	153 [6.02]
OMS 315	208 [8.19]	54.8 [2.157]	165 [6.50]
OMS 400	221 [8.70]	68.4 [2.693]	178 [7.01]

Output shaft		L <sub>3</sub> mm [in]
All shafts except P.t.o. shaft	max	67 [2.64]
	min	65 [2.56]
P.t.o. shaft	max	109 [4.29]
	min	107 [4.21]

**OMS**
**Standard flange—US version**
*Standard flange*


151-1972.10

**C:** Drain connection  
7/16 - 20 UNF;  
12 mm [0.47 in] deep  
O-ring boss port

**D:** M10; 13 mm [0.51 in] deep

**E:** 7/8 - 14 UNF;  
16.7 mm [0.657 in] deep  
O-ring boss port

Type	L <sub>max</sub> mm [in]	L <sub>1</sub> mm [in]	L <sub>2</sub> mm [in]
OMS 80	167 [6.57]	14.0 [0.551]	124 [4.88]
OMS 100	170 [6.69]	17.4 [0.685]	127 [5.00]
OMS 125	175 [6.89]	21.8 [0.858]	132 [5.20]

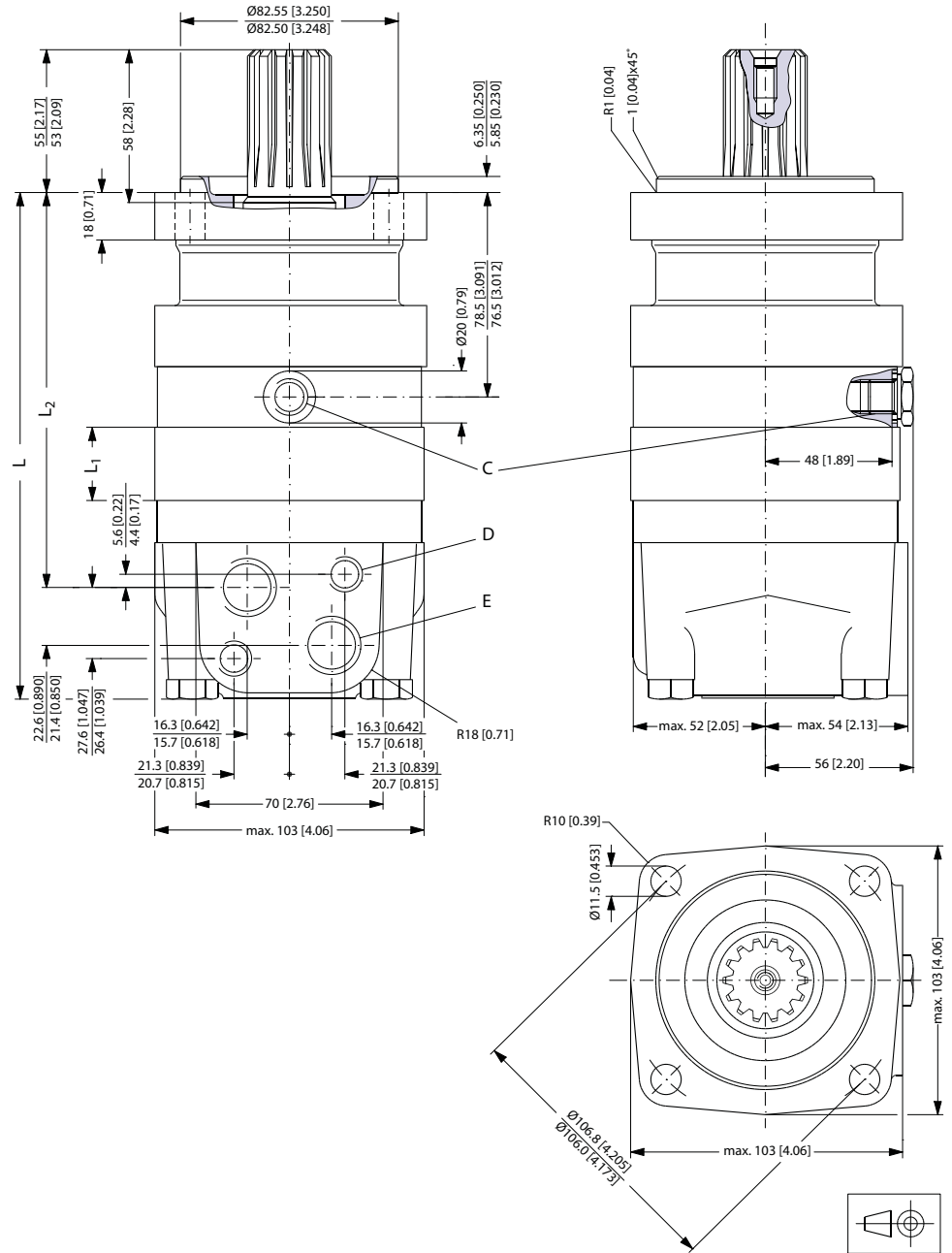
**OMS**

Type	L <sub>max</sub> mm [in]	L <sub>1</sub> mm [in]	L <sub>2</sub> mm [in]
OMS 160	181 [7.13]	27.8 [1.094]	138 [5.43]
OMS 200	188 [7.40]	34.8 [1.370]	145 [5.71]
OMS 250	196 [7.72]	43.5 [1.713]	153 [6.02]
OMS 315	208 [8.19]	54.8 [2.157]	165 [6.50]
OMS 400	221 [8.70]	68.4 [2.693]	178 [7.01]
OMS 500	221 [8.70]	68.4 [2.693]	178 [7.01]

Output shaft		L <sub>3</sub> mm [in]
Cyl.1.25 in Splined 1.25 in	max	57 [2.24]
	min	55 [2.17]
Tapered 1.25 in	max	67 [2.64]
	min	65 [2.56]

OMS

Special flange—European version



151-1810.10

C: Drain connection  
G 1/4; 12 mm [0.47 in] deep  
E: G 1/2; 15 mm [0.59 in] deep

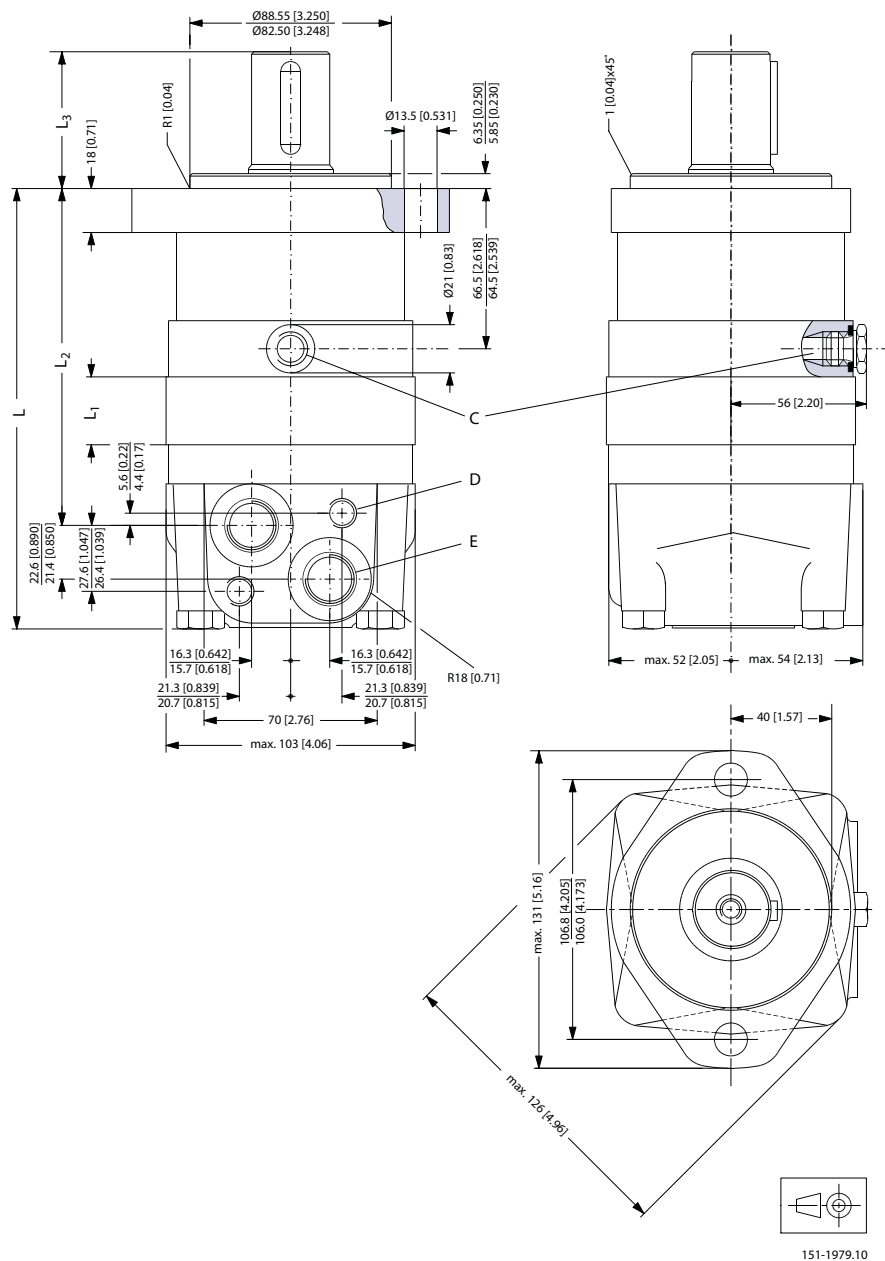
D: M10; 13 mm [0.51 in] deep

Type	L <sub>max</sub> mm [in]	L <sub>1</sub> mm [in]	L <sub>2</sub> mm [in]
OMS 80	178 [7.01]	14.0 [0.551]	136 [5.35]
OMS 100	182 [7.17]	17.4 [0.685]	140 [5.51]

OMS

Type	L <sub>max</sub> mm [in]	L <sub>1</sub> mm [in]	L <sub>2</sub> mm [in]
OMS 125	186 [7.32]	21.8 [0.858]	144 [5.67]
OMS 160	192 [7.56]	27.8 [1.094]	150 [5.91]
OMS 200	199 [7.83]	34.8 [1.370]	157 [6.18]
OMS 250	208 [8.19]	43.5 [1.713]	166 [6.54]
OMS 315	219 [8.62]	54.8 [2.157]	177 [6.97]
OMS 400	232 [9.13]	68.4 [2.693]	190 [7.48]

A-2 flange—US version



**C:** Drain connection  
7/16 - 20 UNF;

**D:** M10; 13 mm [0.51 in] deep



**OMS**

12 mm [0.47 in] deep  
O-ring boss port

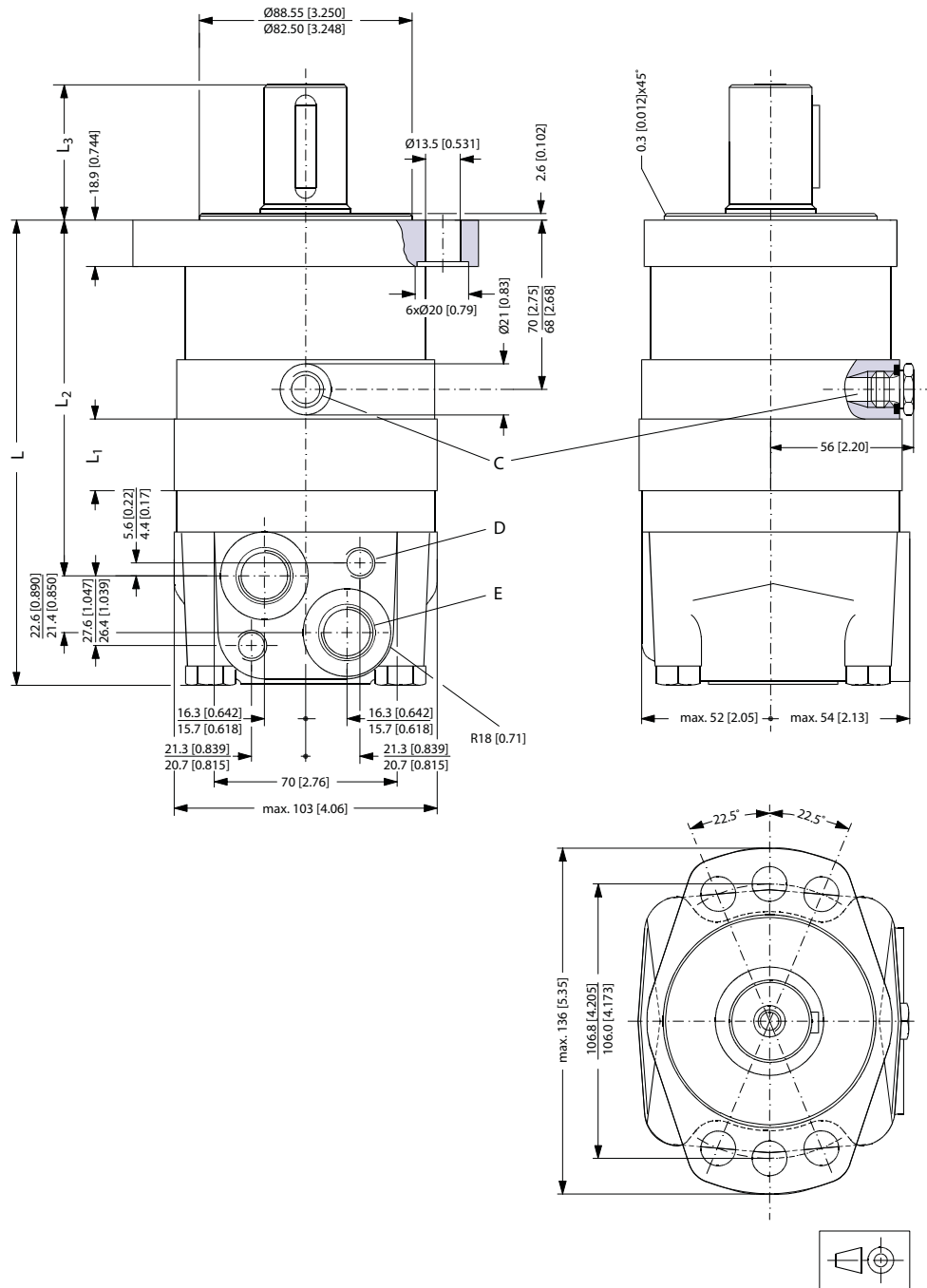
**E:** 7/8 - 14 UNF;  
16.7 mm [0.657 in] deep  
O-ring boss port

Type	L <sub>max</sub> mm [in]	L <sub>1</sub> mm [in]	L <sub>2</sub> mm [in]
OMS 80	167 [6.57]	14.0 [0.551]	124 [4.88]
OMS 100	170 [6.69]	17.4 [0.685]	127 [5.00]
OMS 125	175 [6.89]	21.8 [0.858]	132 [5.20]
OMS 160	181 [7.13]	27.8 [1.094]	138 [5.43]
OMS 200	188 [7.40]	34.8 [1.370]	145 [5.71]
OMS 250	196 [7.72]	43.5 [1.713]	153 [6.02]
OMS 315	208 [8.19]	54.8 [2.157]	165 [6.50]
OMS 400	221 [8.70]	68.4 [2.693]	178 [7.01]
OMS 500	221 [8.70]	68.4 [2.693]	178 [7.01]

Output shaft		L <sub>3</sub> mm [in]
Cyl.1 in Splined 1 in	max	52 [2.05]
	min	50 [1.97]
Cyl.1.25 in Splined 1.25 in	max	57 [2.24]
	min	55 [2.17]
Tapered 1.25 in	max	67 [2.64]
	min	65 [2.56]

**OMS**

**Magneto flange—US version**



151-1980.10

**C:** Drain connection  
7/16 - 20 UNF;  
12 mm [0.47 in] deep  
O-ring boss port

**D:** M10; 13 mm [0.51 in] deep

**E:** 7/8 - 14 UNF;  
16.7 mm [0.657 in] deep  
O-ring boss port

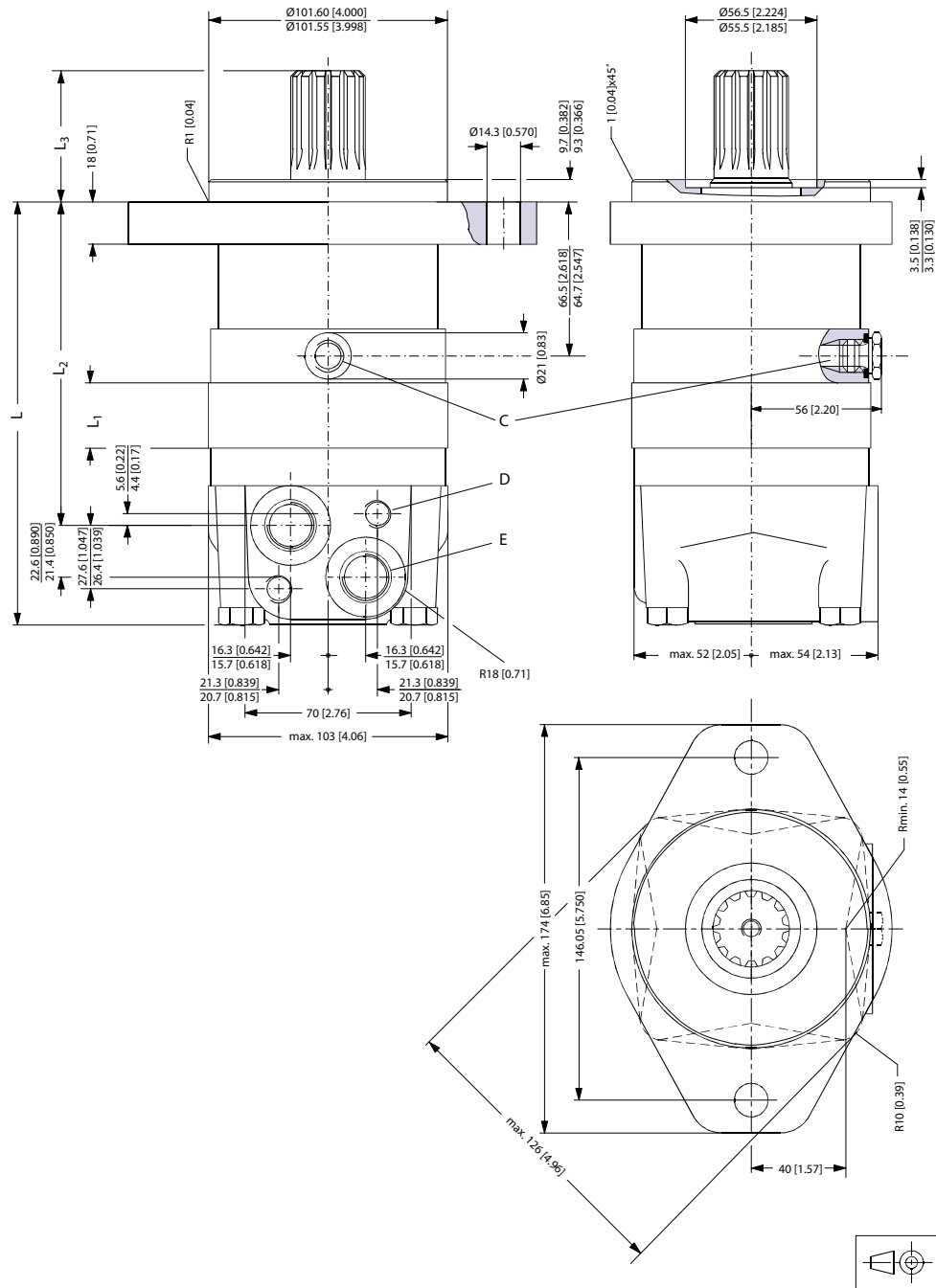
**OMS**

Type	L <sub>max</sub> mm [in]	L <sub>1</sub> mm [in]	L <sub>2</sub> mm [in]
OMS 80	171 [6.73]	14.0 [0.551]	128 [5.04]
OMS 100	174 [6.85]	17.4 [0.685]	131 [5.16]
OMS 125	179 [7.05]	21.8 [0.858]	136 [5.35]
OMS 160	185 [7.28]	27.8 [1.094]	142 [5.59]
OMS 200	192 [7.56]	34.8 [1.370]	149 [5.87]
OMS 250	200 [7.87]	43.5 [1.713]	157 [6.18]
OMS 315	212 [8.35]	54.8 [2.157]	169 [6.65]
OMS 400	225 [8.86]	68.4 [2.693]	182 [7.17]
OMS 500	225 [8.86]	68.4 [2.693]	182 [7.17]

Output shaft		L <sub>3</sub> mm [in]
Cyl.1 in Splined 1 in	max	49 [1.93]
	min	47 [1.85]
Cyl.1.25 in Splined 1.25 in	max	54 [2.13]
	min	52 [2.05]

OMS

SAE-B flange—US version



**C:** Drain connection  
 7/16 - 20 UNF;  
 12 mm [0.47 in] deep  
 O-ring boss port

**E:** 7/8 - 14 UNF;  
 16.7 mm [0.657 in] deep  
 O-ring boss port

**D:** M10; 13 mm [0.51 in] deep

151-1981.10

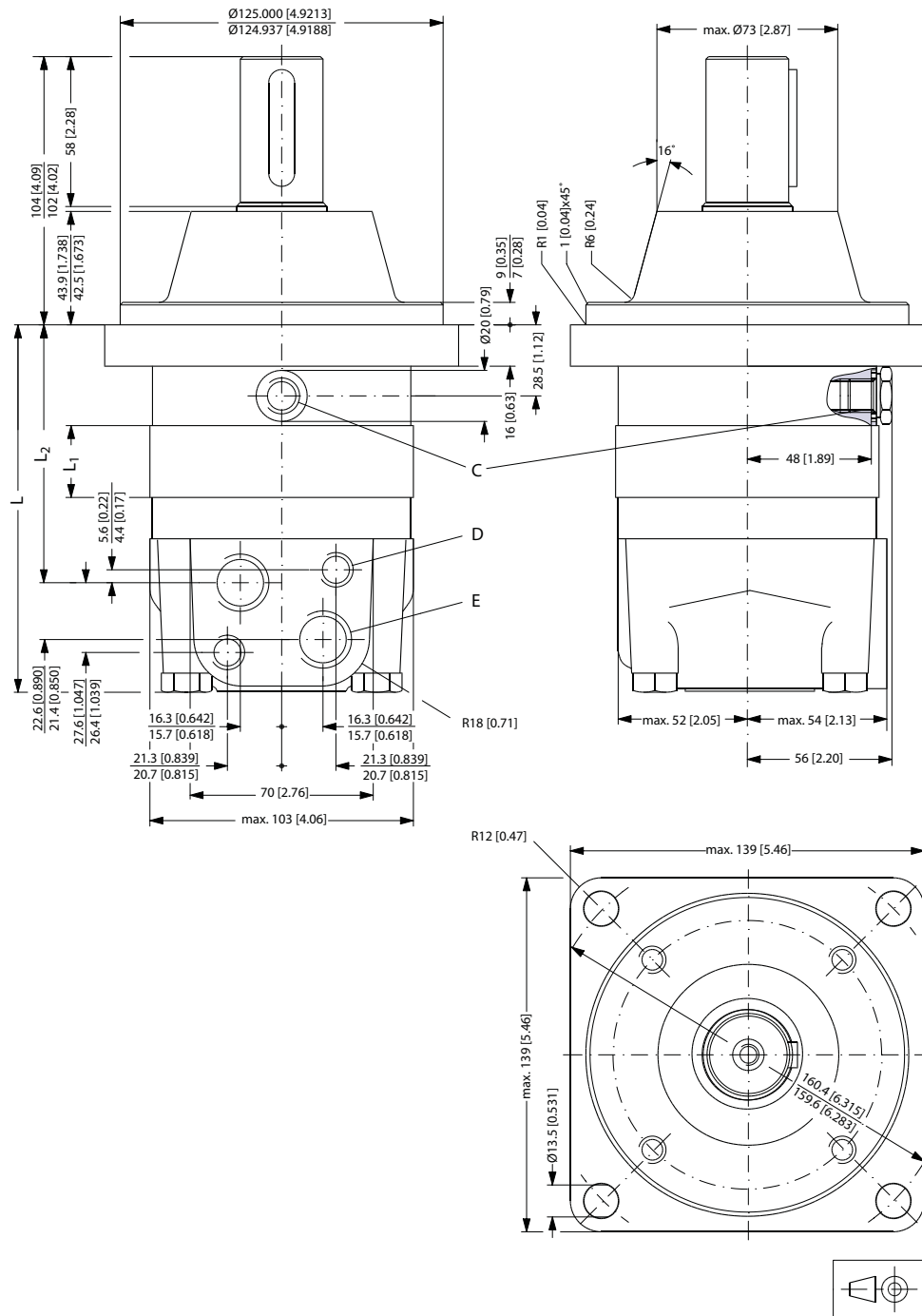
**OMS**

Type	L <sub>max</sub> mm [in]	L <sub>1</sub> mm [in]	L <sub>2</sub> mm [in]
OMS 80	167 [6.57]	14.0 [0.551]	124 [4.88]
OMS 100	170 [6.69]	17.4 [0.685]	127 [5.00]
OMS 125	175 [6.89]	21.8 [0.858]	132 [5.20]
OMS 160	181 [7.13]	27.8 [1.094]	138 [5.43]
OMS 200	188 [7.40]	34.8 [1.370]	145 [5.71]
OMS 250	196 [7.72]	43.5 [1.713]	153 [6.02]
OMS 315	208 [8.19]	54.8 [2.157]	165 [6.50]
OMS 400	221 [8.70]	68.4 [2.693]	178 [7.01]
OMS 500	221 [8.70]	68.4 [2.693]	178 [7.01]

Output shaft		L <sub>3</sub> mm [in]
Splined 1.25 in	max	57 [2.24]
	min	55 [2.17]
Splined 0.875 in	max	42 [1.65]
	min	40 [1.57]

OMS

Wheel—European version



151-1812.10

**C:** Drain connection  
G 1/4; 12 mm [0.47 in] deep  
**E:** G 1/2; 15 mm [0.59 in] deep

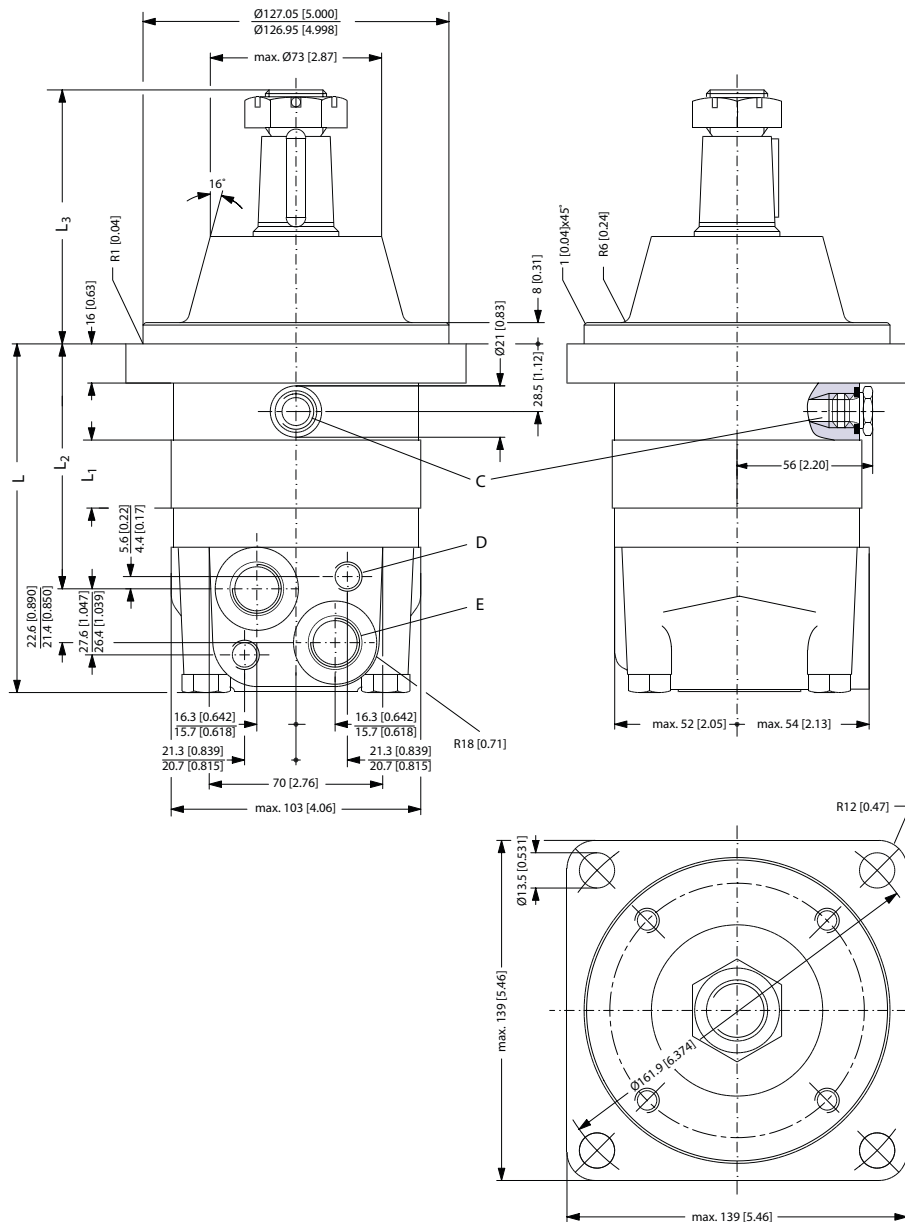
**D:** M10; 13 mm [0.51 in] deep

**OMS**

Type	L <sub>max</sub> mm [in]	L <sub>1</sub> mm [in]	L <sub>2</sub> mm [in]
OMSW 80	129 [5.08]	14.0 [0.551]	87 [3.43]
OMSW 100	132 [5.20]	17.4 [0.685]	90 [3.54]
OMSW 125	137 [5.39]	21.8 [0.858]	95 [3.74]
OMSW 160	143 [5.63]	27.8 [1.094]	101 [3.98]
OMSW 200	150 [5.91]	34.8 [1.370]	108 [4.25]
OMSW 250	158 [6.22]	43.5 [1.713]	116 [4.57]
OMSW 315	170 [6.69]	54.8 [2.157]	128 [5.04]
OMSW 400	183 [7.20]	68.4 [2.693]	142 [5.59]

**OMS**

**Wheel—US version**



151-1982.10

**C:** Drain connection  
7/16 - 20 UNF;  
12 mm [0.47 in] deep  
O-ring boss port

**D:** M10; 13 mm [0.51 in] deep

**E:** 7/8 - 14 UNF;  
16.7 mm [0.657 in] deep  
O-ring boss port

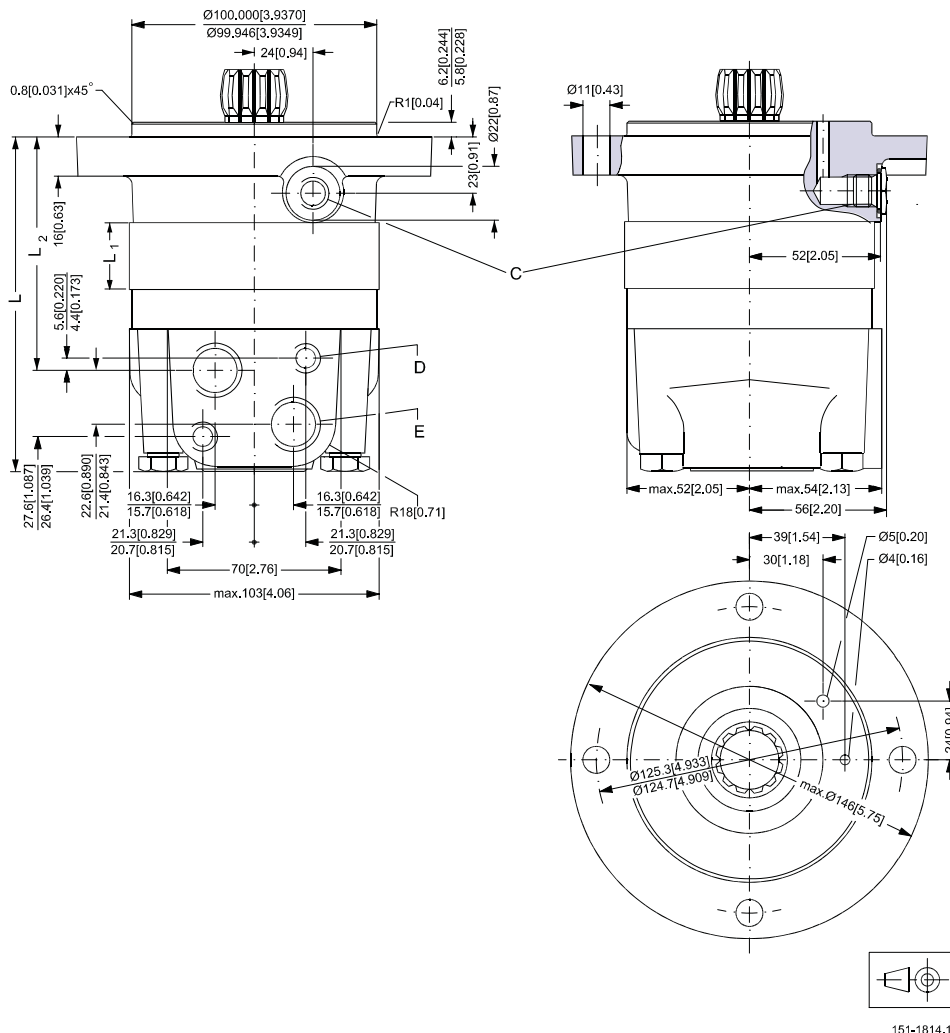
Type	L <sub>max</sub> mm [in]	L <sub>1</sub> mm [in]	L <sub>2</sub> mm [in]
OMSW 80	130 [5.12]	14.0 [0.551]	88 [3.46]
OMSW 100	133 [5.24]	17.4 [0.685]	91 [3.58]



**OMS**

Type	L <sub>max</sub> mm [in]	L <sub>1</sub> mm [in]	L <sub>2</sub> mm [in]
OMSW 125	138 [5.43]	21.8 [0.858]	96 [3.78]
OMSW 160	144 [5.67]	27.8 [1.094]	102 [4.02]
OMSW 200	151 [5.94]	34.8 [1.370]	109 [4.29]
OMSW 250	159 [6.26]	43.5 [1.713]	117 [4.61]
OMSW 315	171 [6.73]	54.8 [2.157]	129 [5.08]
OMSW 400	184 [7.24]	68.4 [2.693]	142 [5.59]
OMSW 500	184 [7.24]	68.4 [2.693]	142 [5.59]

Output shaft		L <sub>3</sub> mm [in]
Cyl.1.25 in	max	94 [3.70]
	min	92 [3.62]
Tapered 1.25 in	max	104 [4.09]
	min	102 [4.02]

**OMS**
**Short—European version**


**C:** Drain connection  
G 1/4; 12 mm [0.47 in] deep

**D:** M10; 13 mm [0.51 in] deep

**E:** G 1/2; 15 mm [0.59 in] deep

Type	L <sub>max</sub> mm [in]	L <sub>1</sub> mm [in]	L <sub>2</sub> mm [in]
OMSS 80	124 [4.88]	14.0 [0.551]	83 [3.27]
OMSS 100	128 [5.04]	17.4 [0.685]	86 [3.39]
OMSS 125	132 [5.20]	21.8 [0.858]	90 [3.54]
OMSS 160	138 [5.43]	27.8 [1.094]	96 [3.78]
OMSS 200	145 [5.71]	34.8 [1.370]	103 [4.06]
OMSS 250	154 [6.06]	43.5 [1.713]	112 [4.41]
OMSS 315	165 [6.50]	54.8 [2.157]	123 [4.84]
OMSS 400	179 [7.05]	68.4 [2.693]	137 [5.39]

**OMS**
**OMSS**
**Installing the OMSS**

The cardan shaft of the OMSS motor acts as an “output shaft”. Because of the movement of the shaft, no seal can be fitted at the shaft output.

Internal oil leakage from the motor will therefore flow into the attached component.

During start and operation it is important that the spline connection and the bearings in the attached component receive oil and are adequately lubricated. To ensure that the spline connection receives sufficient oil, a conical sealing ring between the shaft of the attached component and the motor intermediate plate is recommended. This method is used in the OMS.

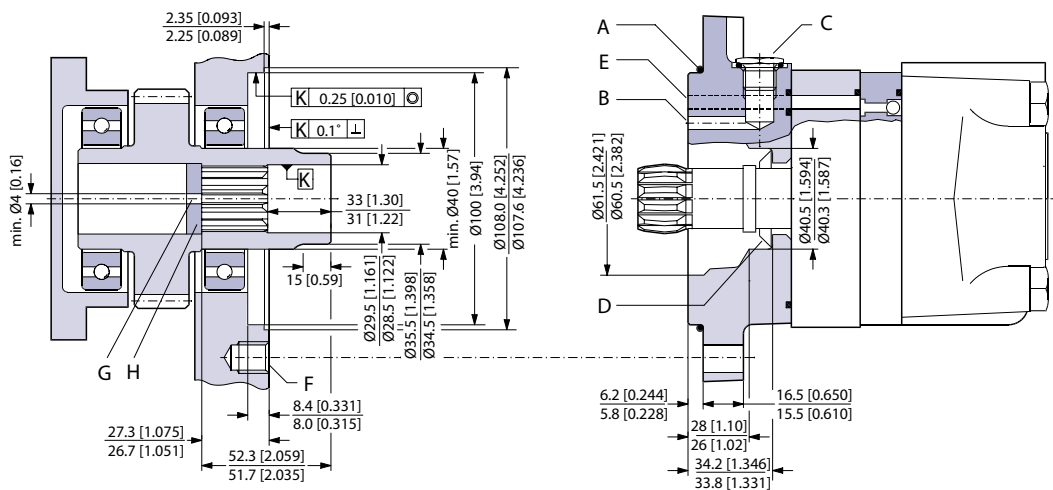
The conical sealing ring (code. no. 633B9023) is supplied with the motor.

To ensure that oil runs to the bearings and other parts of the attached component, the stop plate must have a hole in it (see fig. below).

We recommend an O-ring between motor and attached component. The O-ring (code no. 151F1033) is supplied with the motor. If motor and attached component have been separated, remember to refill before starting up. Fill the oil through the drain connection.

**Attached component dimensions**

OMSS dimensions of the attached component in millimeter [inches]



151-873.10

- |                               |                                 |   |
|-------------------------------|---------------------------------|---|
| <b>A</b> O-ring: 100 × 3 mm   | <b>B</b> External drain channel | <b>C</b> Drain connection G 1/4; 12 mm [0.47 in] deep |
| <b>D</b> Conical seal ring    | <b>E</b> Internal drain channel | <b>F</b> M10; min. 15 mm [0.59 in] deep               |
| <b>G</b> Oil circulation hole | <b>H</b> Hardened stop plate    |   |

**Internal spline data for the component to be attached**

The attached component must have internal splines corresponding to the external splines on the motor cardan shaft (see drawing below).

**OMS**
**Material:**

Case hardening steel with a tensile strength corresponding at least to 20 MoCr4 (900 N/mm<sup>2</sup>) or SAE 8620.

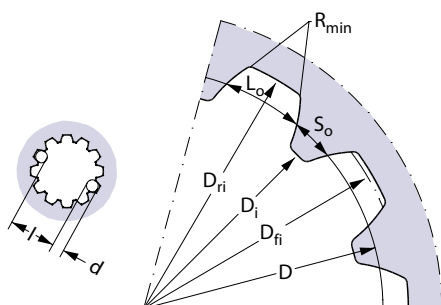
**Hardening specification:**

- On the surface: HV = 750 ± 50
- 0.7 ± 0.2 mm under the surface: HV = 560

*Internal involute spline data; Standard ANS B92.1-1970, class 5 (corrected  $m \cdot X = 0.8$ ;  $m = 2.1166$ )*

Flat root side fit		mm	in
Number of teeth	z	12	12
Pitch	DP	12/24	12/24
Pressure angle		30°	30°
Pitch dia.	D	25.4	1.0
Major dia.	D <sub>ri</sub>	28.0 <sup>0</sup> <sub>-0.1</sub>	1.10 0-0.004
Form dia. (min.)	D <sub>fi</sub>	27.6	1.09
Minor dia.	D <sub>i</sub>	23.0 <sup>0</sup> <sub>+0.033</sub>	0.9055 <sup>0</sup> <sub>+0.0013</sub>
Space width (circular)	L <sub>o</sub>	4.308 <sup>±0.020</sup>	0.1696 <sup>±0.0008</sup>
Tooth thickness (circular)	S <sub>o</sub>	2.341	0.09217
Fillet radius	R <sub>min.</sub>	0.2	0.008
Max. measurement between pins*	l	17.62 <sup>0</sup> <sub>+0.15</sub>	0.700 <sup>0</sup> <sub>-0.006</sub>
Pin dia.	d	4.835 <sup>±0.001</sup>	0.1903 <sup>±0.00004</sup>

\* Finished dimensions (when hardened).



151-874.10

**Motor or attached component drain connection**

Use the drain line when pressure in the return line exceeds the permissible pressure on the shaft seal of the attached component.

**Connect the drain line either at the:**

- Motor drain connection
- Drain connection of the attached component

If a drain line is fitted to the attached component, it must be possible for oil to flow freely between motor and attached component.

**OMS**

The drain line must be led to the tank in such a way that there is no risk of the motor and attached component being drained of oil when at rest.

The maximum pressure in the drain line is limited by the attached component and its shaft seal.

**OMT**
**Versions**
*OMT versions*

Mounting flange	Shaft	Port size	European version	US version	Drain connection	Check valve	Low pressure release	High pressure release	Main type designation
Standard flange	Cyl. 40 mm	G 3/4	X		Yes	Yes			OMT
	Cyl. 1.5 in	1 1/16-12 UN		X	Yes	Yes			OMT
	Splined 1.5 in	G 3/4	X		Yes	Yes			OMT
		1 1/16-12 UN		X	Yes	Yes			OMT
	Tapered 45 mm	G 3/4	X		Yes	Yes			OMT
	Tapered 1.75 in	1 1/16-12 UN		X	Yes	Yes			OMT
P.t.o.	G 3/4	X		Yes	Yes			OMT	
Wheel	Cyl. 40 mm	G 3/4	X		Yes	Yes			OMTW
	Tapered 45 mm	G 3/4	X		Yes	Yes			OMTW
	Tapered 1.75 in	1 1/16-12 UN		X	Yes	Yes			OMTW
Brake-wheel	Wheel bolt flange	G 3/4	X		Yes	No	X		OMT FX
	Thread hole flange	G 3/4	X		Yes	No	X		OMT FX
Brake-standard	Cyl. 40 mm	G 3/4	X		Yes	No	X		OMT FL
	Splined 1.5 in	G 3/4	X		Yes	No	X		OMT FL
	Cyl. 40 mm	G 3/4	X		Yes	No		X	OMT FH
	Splined 1.5 in	G 3/4	X		Yes	No		X	OMT FH
Short	No output shaft	G 3/4	X		Yes	Yes			OMTS

**Features**

Features available (options):

- Speed sensor
- Motor with tacho connection
- Viton shaft seal
- Painted
- Ultra short

**Code numbers**
*OMT code numbers*

Code Numbers	Displacement [cm <sup>3</sup> ]					
	160	200	250	315	400	500
<b>151B</b>	3000	3001	3002	3003	3004	3005
<b>151B</b>	2050	2051	2052	2053	2054	2055
<b>151B</b>	3006	3007	3008	3009	3010	3011
<b>151B</b>	2056	2057	2058	2059	2060	2061
<b>151B</b>	3012	3013	3014	3015	3016	3017
<b>151B</b>	2062	2063	2064	2065	2066	2067

**OMT**
*OMT code numbers (continued)*

Code Numbers	Displacement [cm <sup>3</sup> ]					
	160	200	250	315	400	500
<b>151B</b>	3018	3019	3020	3021	3022	3023
<b>151B</b>	3024	3025	3026	3027	3028	3029
<b>151B</b>	3030	3031	3032	3033	3034	3035
<b>151B</b>	2080	2081	2082	2083	2084	2085
<b>151B</b>	3207	3208	3209	3210	3211	3212
<b>151B</b>	3200	3201	3202	3203	3204	3205
<b>151B</b>	4000	4001	4002	4003	4004	4005
<b>151B</b>	4007	4008	4009	4010	4011	4012
<b>151B</b>	4021	4022	4023	4024	4025	4026
<b>151B</b>	4028	4029	4030	4031	4032	4033
<b>151B</b>	3036	3037	3038	3039	3040	3041

**Ordering**

Add the four digit prefix "151B" to the four digit numbers from the chart for complete code number.

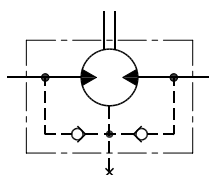
Example:

151B3002 for an OMT 250 with standard flange, cyl. 40 mm shaft and port size G 3/4.

Orders will not be accepted without the four digit prefix.

**Technical data**
**Maximum permissible shaft seal pressure**
***Motor with check valves and without use of drain connection***

The pressure on the shaft seal never exceeds the pressure in the return line.



151-320.10

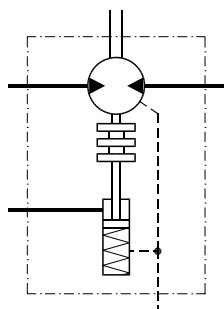
***Motor with check valves and with drain connection***

The shaft seal pressure equals the pressure on the drain line.

OMT FX, OMT FL and OMT FH must always be fitted with drain line.

Maximum pressure in drain line is 5 bar [75 psi]

OMT

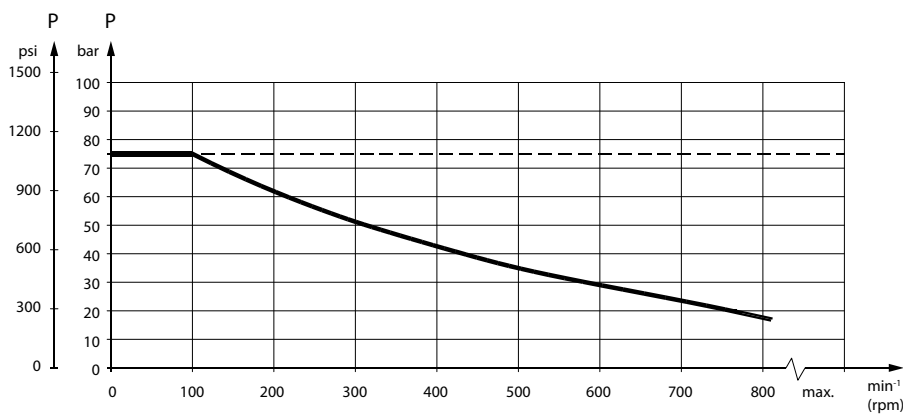


151-1405.10

**Maximum return pressure**

The shaft seal pressure equals the pressure on the drain line.

Maximum return pressure without drain line or maximum pressure in the drain line



151-1674.10

----- Intermittent operation: the permissible values may occur for max. 10% of every minute.

— Continuous operation

**OMT, OMTW, OMTS, OMT FX OMT FL and OMT FH**

Technical data for OMT, OMTW, OMTS, OMT FX OMT FL and OMT FH

Type		OMT OMTW OMTS OMT FX OMT FL OMT FH	OMT OMTW OMTS OMT FX OMT FL OMT FH	OMT OMTW OMTS OMT FX OMT FL OMT FH	OMT OMTW OMTS OMT FX OMT FL OMT FH	OMT OMTW OMTS OMT FX OMT FL OMT FH	OMT OMTW OMTS OMT FX OMT FL OMT FH	
<b>Motor size</b>		<b>160</b>	<b>200</b>	<b>250</b>	<b>315</b>	<b>400</b>	<b>500</b>	
Geometric displacement	cm <sup>3</sup> [in <sup>3</sup> ]	161.1 [9.83]	201.4 [12.29]	251.8 [15.37]	326.3 [19.91]	410.9 [25.07]	523.6 [31.95]	
Maximum speed	min <sup>-1</sup> [rpm]	cont.	625	625	500	380	305	240
		int <sup>1)</sup>	780	750	600	460	365	285



**Technical Information OMS, OMT and OMV Orbital Motors**
**OMT**
*Technical data for OMT, OMTW, OMTS, OMT FX OMT FL and OMT FH (continued)*

Type			OMT OMTW OMTS OMT FX OMT FL OMT FH	OMT OMTW OMTS OMT FX OMT FL OMT FH	OMT OMTW OMTS OMT FX OMT FL OMT FH	OMT OMTW OMTS OMT FX OMT FL OMT FH	OMT OMTW OMTS OMT FX OMT FL OMT FH	OMT OMTW OMTS OMT FX OMT FL OMT FH
Motor size			160	200	250	315	400	500
Maximum torque	Nm [lbf·in]	cont.	470 [4160]	590 [5220]	730 [6460]	950 [8410]	1080 [9560]	1220 [10800]
		int. <sup>1)</sup>	560 [4960]	710 [6280]	880 [7790]	1140 [10090]	1260 [11150]	1370 [12130]
Maximum output	kW [hp]	cont.	26.5 [35.5]	33.5 [44.9]	33.5 [44.9]	33.5 [44.9]	30.0 [40.2]	26.5 [35.5]
		int. <sup>1)</sup>	32.0 [42.9]	40.0 [53.6]	40.0 [53.6]	40.0 [53.6]	35.0 [46.9]	30.0 [40.2]
Maximum pressure drop	bar [psi]	cont.	200 [2900]	200 [2900]	200 [2900]	200 [2900]	180 [2610]	160 [2320]
		int. <sup>1)</sup>	240 [3480]	240 [3480]	240 [3480]	240 [3480]	210 [3050]	180 [2610]
		peak <sup>2)</sup>	280 [4060]	280 [4060]	280 [4060]	280 [4060]	240 [3480]	210 [3050]
Maximum oil flow	l/min [USgal/min]	cont.	100 [26.4]	125 [33.0]	125 [33.0]	125 [33.0]	125 [33.0]	125 [33.0]
		int. <sup>1)</sup>	125 [33.0]	150 [39.6]	150 [39.6]	150 [39.6]	150 [39.6]	150 [39.6]
Maximum starting pressure with unloaded shaft	bar [psi]		10 [145]	10 [145]	10 [145]	10 [145]	10 [145]	10 [145]
Minimum starting torque	at maximum pressure drop cont. Nm [lbf·in]		340 [3010]	430 [3810]	530 [4690]	740 [6550]	840 [7430]	950 [8410]
	at maximum pressure drop int. <sup>1)</sup> Nm [lbf·in]		410 [3630]	520 [4600]	630 [5580]	890 [7880]	970 [8590]	1060 [9380]

1) Intermittent operation: the permissible values may occur for max. 10% of every minute.

2) Peak load: the permissible values may occur for max. 1% of every minute.

For maximum permissible combination of flow and pressure, see function diagram for actual motor.

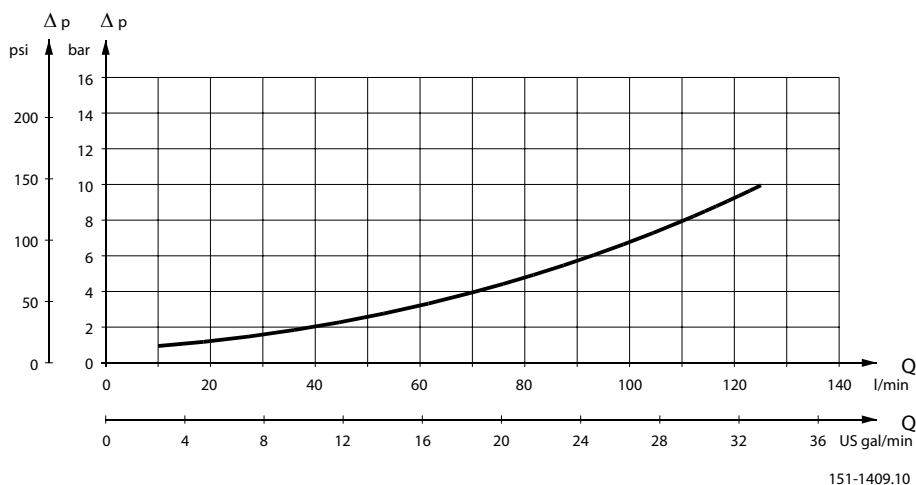
Type			Maximum inlet pressure	Maximum return pressure with drain line
OMT, OMTW, OMTS, OMT FX, OMT FL, OMT FH	bar [psi]	cont.	210 [3050]	140 [2030]
	bar [psi]	int. <sup>1)</sup>	250 [3630]	175 [2540]
	bar [psi]	peak <sup>2)</sup>	300 [4350]	210 [3050]

**OMT**
*Brake motors*

Type	Maximum pressure in drain line <sup>3)</sup>	Holding torque <sup>4)</sup>	Brake-release pressure <sup>3)</sup>	Maximum pressure in brake line
OMT FX, OMT FL	5 bar [70 psi]	1200 Nm [10620 lbf-in]	12 bar [170 psi]	30 bar [440 psi]
OMT FH	5 bar [70 psi]	1200 Nm [10620 lbf-in]	30 bar [440 psi]	280 bar [4060 psi]

- 1) Intermittent operation: the permissible values may occur for maximum 10% of every minute.
- 2) Peak load: The permissible values may occur for maximum 1% of every minute.
- 3) Brake motors must always have a drain line. The brake-release pressure is the difference between the pressure in the brake line and the pressure in the drain line.
- 4) For the supply of motors with holding torques higher than those stated, please contact the Danfoss sales organization.

For maximum permissible combination of flow and pressure, see function diagram for actual motor.

**Pressure drop in motor**


The curve applies to an unloaded motor shaft and an oil viscosity of 35 mm<sup>2</sup>/s [165 SUS]

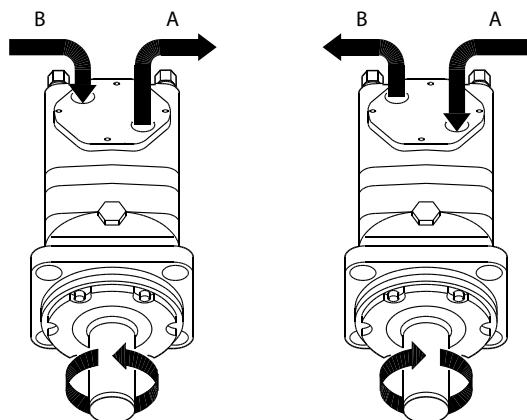
**Oil flow in drain line**

Maximum oil flow in the drain line at a return pressure less than 5-10 bar [75-150 psi]

Pressure drop bar [psi]	Viscosity mm <sup>2</sup> /s [SUS]	Oil flow in drain line l/min [US gal/min]
140 [2030]	20 [100]	2.5 [0.66]
	35 [165]	1.5 [0.40]
210 [3050]	20 [100]	5.0 [1.32]
	35 [165]	3.0 [0.79]

OMT

Direction of shaft rotation



151-1050.10

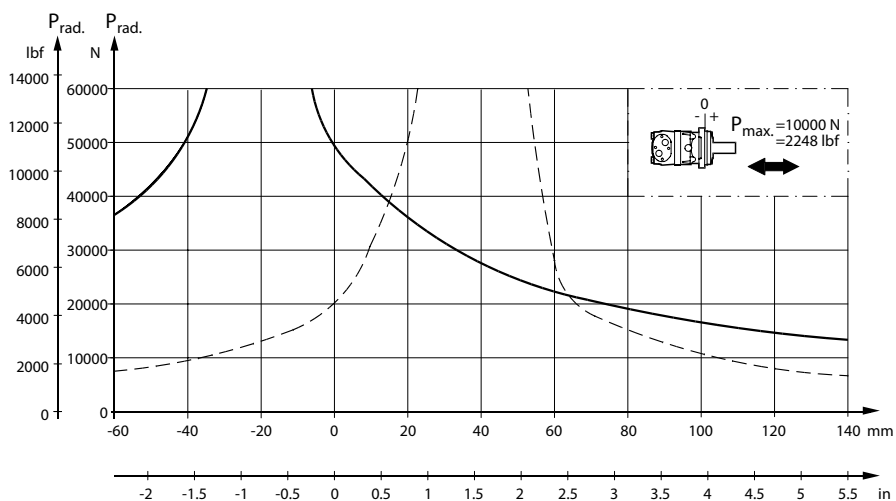
Permissible shaft loads for OMT

**Mounting flange:**

Standard

**Shaft:**

All shaft types



151-1967.10

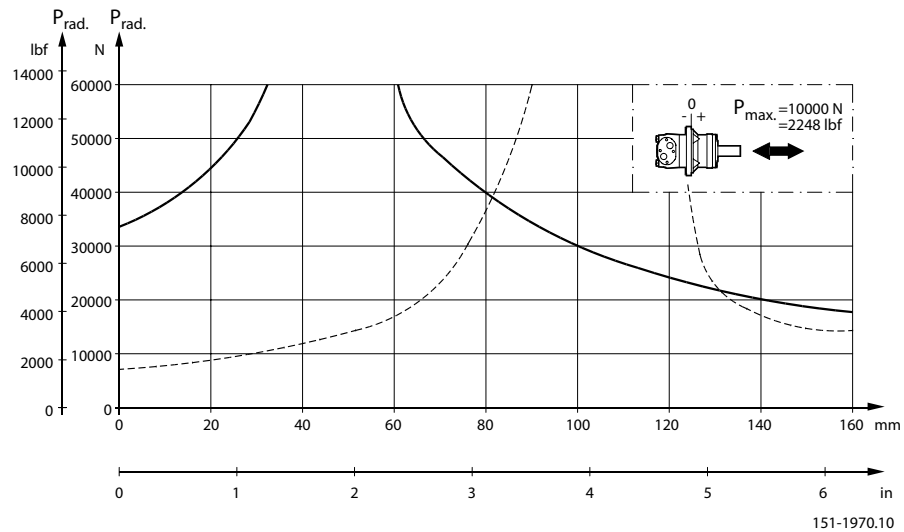
**Mounting flange:**

Wheel

**Shaft:**

All shaft types

OMT



The output shaft runs in tapered roller bearings that permit high axial and radial forces.

The permissible radial load on the shaft is shown for an axial load of 0 N as a function of the distance from the mounting flange to the point of load application.

The curve is based on B10 bearing life (2000 hours or 12,000,000 shaft revolutions at 100 min<sup>-1</sup>) at rated output torque, when mineral-based hydraulic oil with a sufficient content of anti-wear additives, is used.

For 3,000,000 shaft revolutions or 500 hours – increase these shaft loads with 52%.

The dash curve shows maximum radial shaft load. Any shaft load exceeding the values shown in the curve will involve a risk of breakage.

Bearing life calculations can be made using the explanation and formula provided in the chapter "Bearing dimensioning" in the technical information "General Orbital motors" 520L0232.

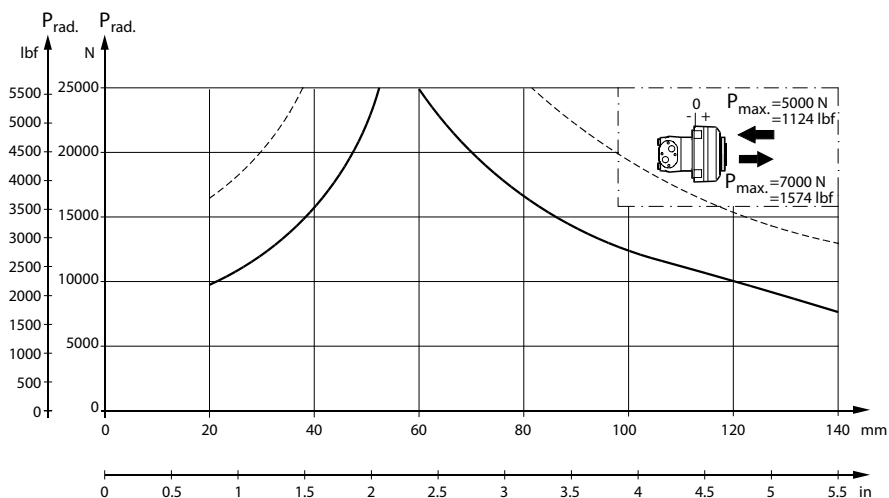
**Mounting flange:**

Brake-wheel

**Shaft:**

All shaft types

OMT



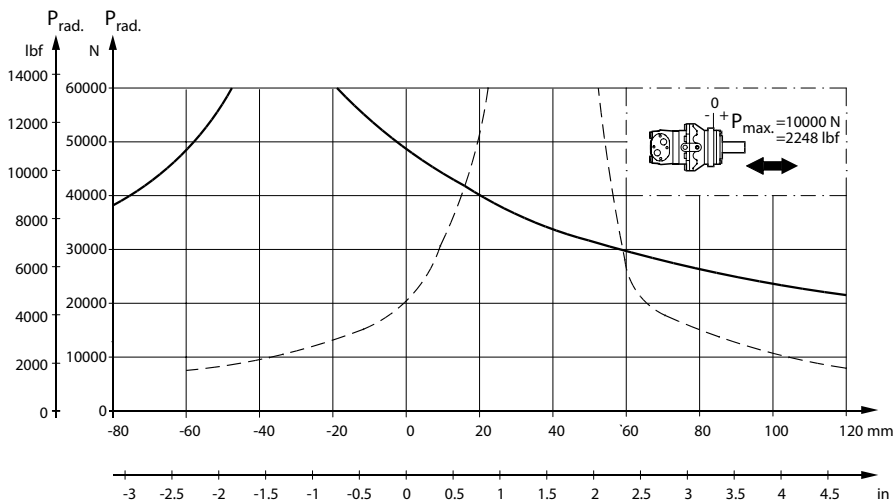
151-1966.10

**Mounting flange:**

Brake-standard

**Shaft:**

All shaft types



151-1968.10

The output shaft runs in tapered roller bearings that permit high axial and radial forces.

The permissible radial load on the shaft is shown for an axial load of 0 N as a function of the distance from the mounting flange to the point of load application.

The curve is based on B10 bearing life (2000 hours or 12,000,000 shaft revolutions at  $100\text{ min}^{-1}$ ) at rated output torque, when mineral-based hydraulic oil with a sufficient content of anti-wear additives, is used.

For 3,000,000 shaft revolutions or 500 hours – increase these shaft loads with 52%.

The dash curve shows max. radial shaft load. Any shaft load exceeding the values shown in the curve will involve a risk of breakage.

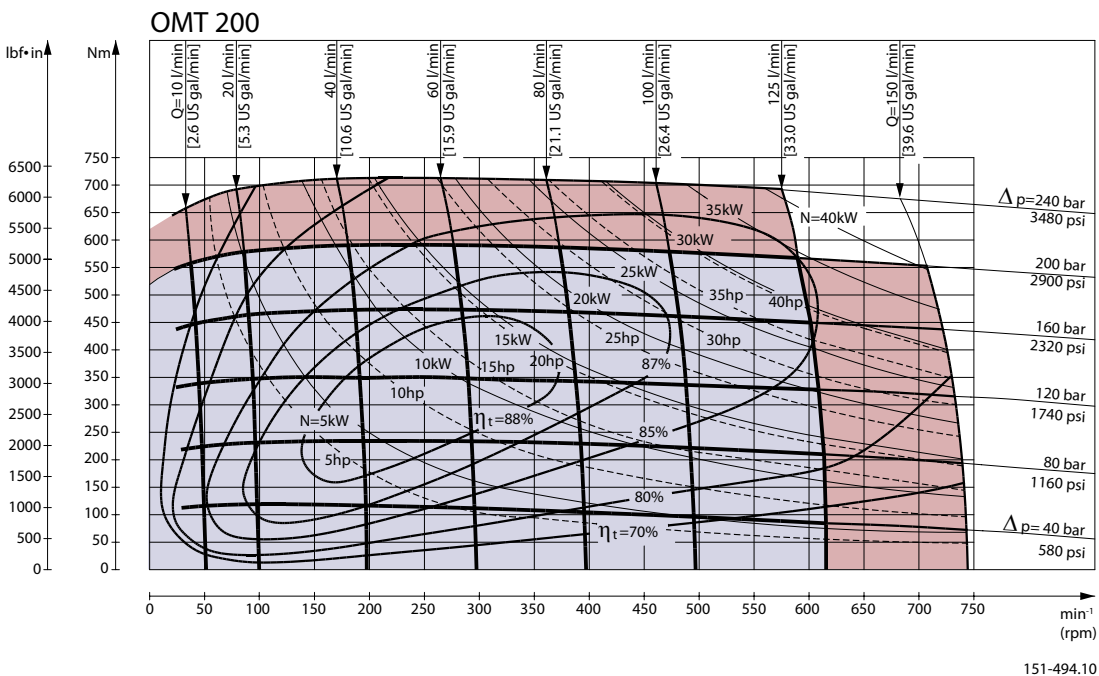
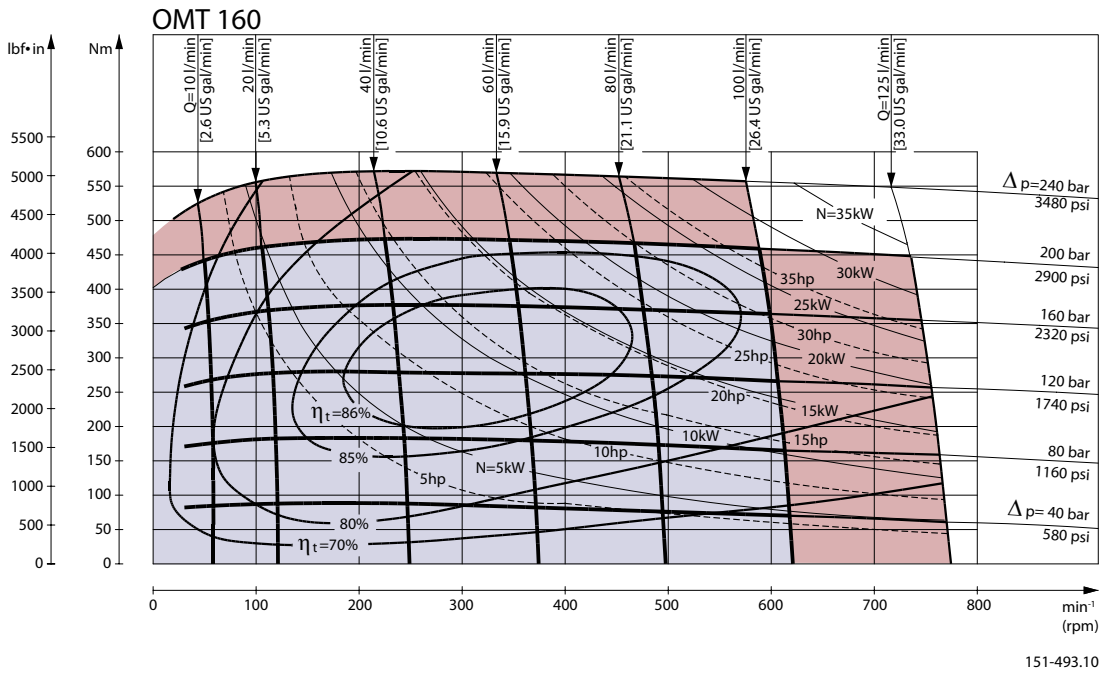
**OMT**

Bearing life calculations can be made using the explanation and formula provided in the chapter "Bearing dimensioning" in the technical information "General Orbital motors" 520L0232.

**Function diagrams**

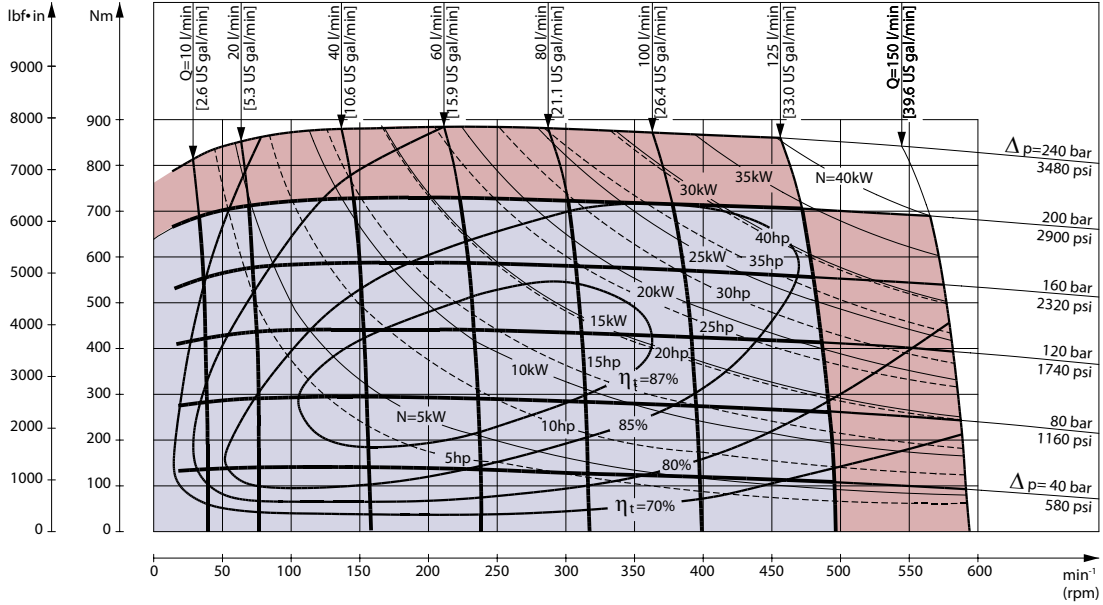
**Continuous range**

**Intermittent range (maximum 10% operation every minute)**

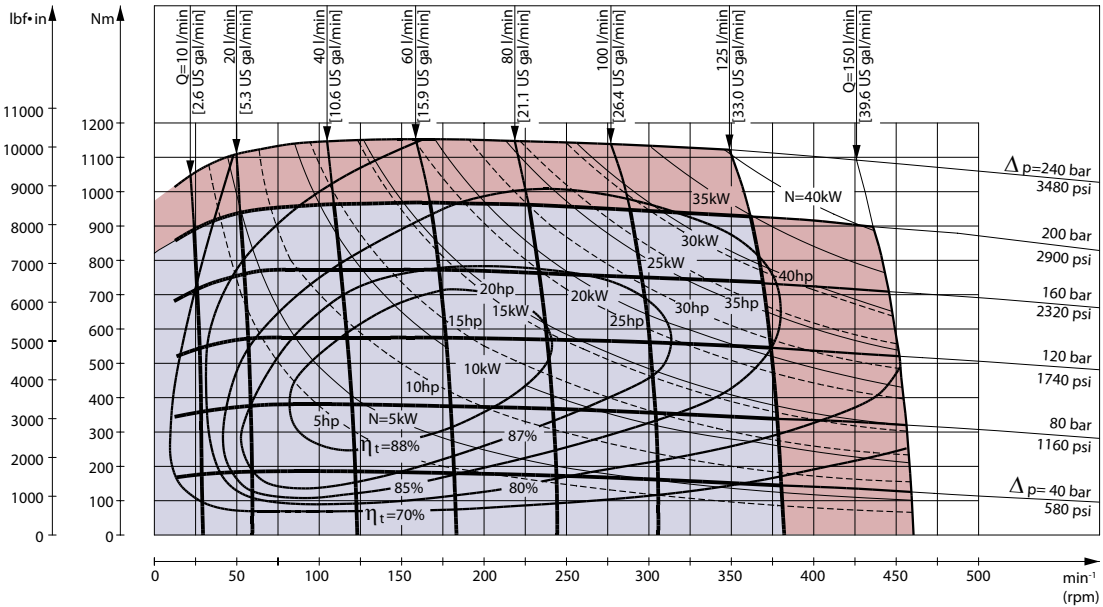


OMT

OMT 250

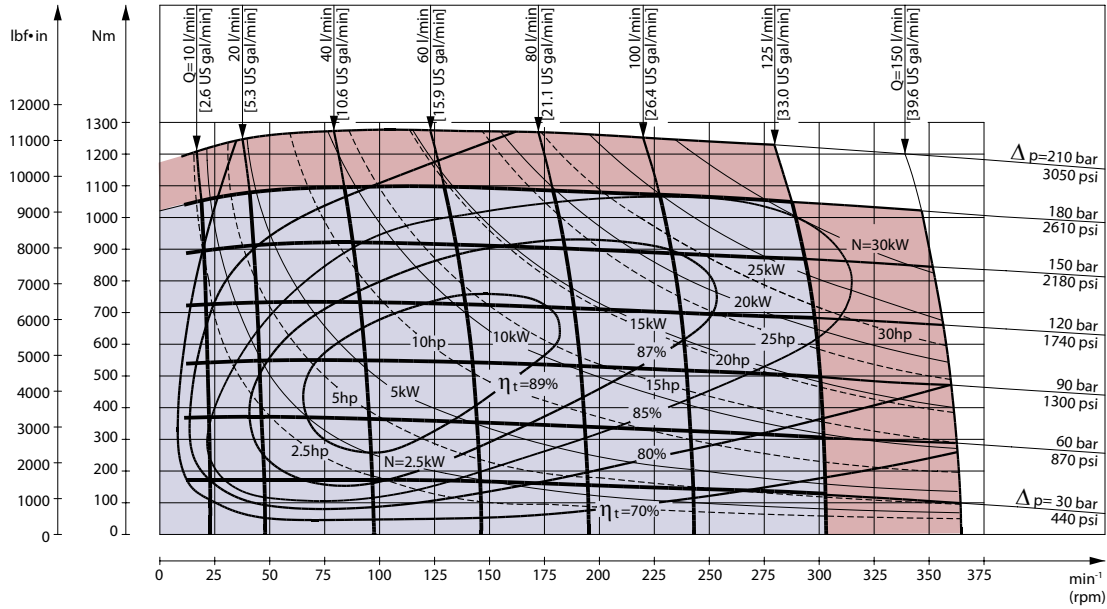


OMT 315



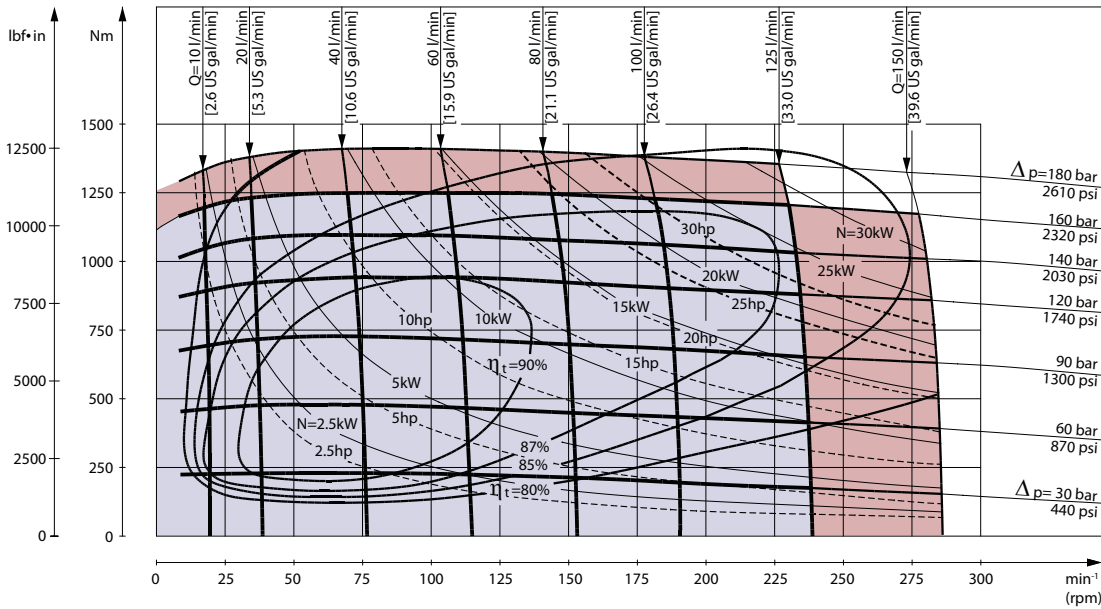
OMT

OMT 400



151-1058.10

OMT 500



151-1116.10

**Function diagram use**

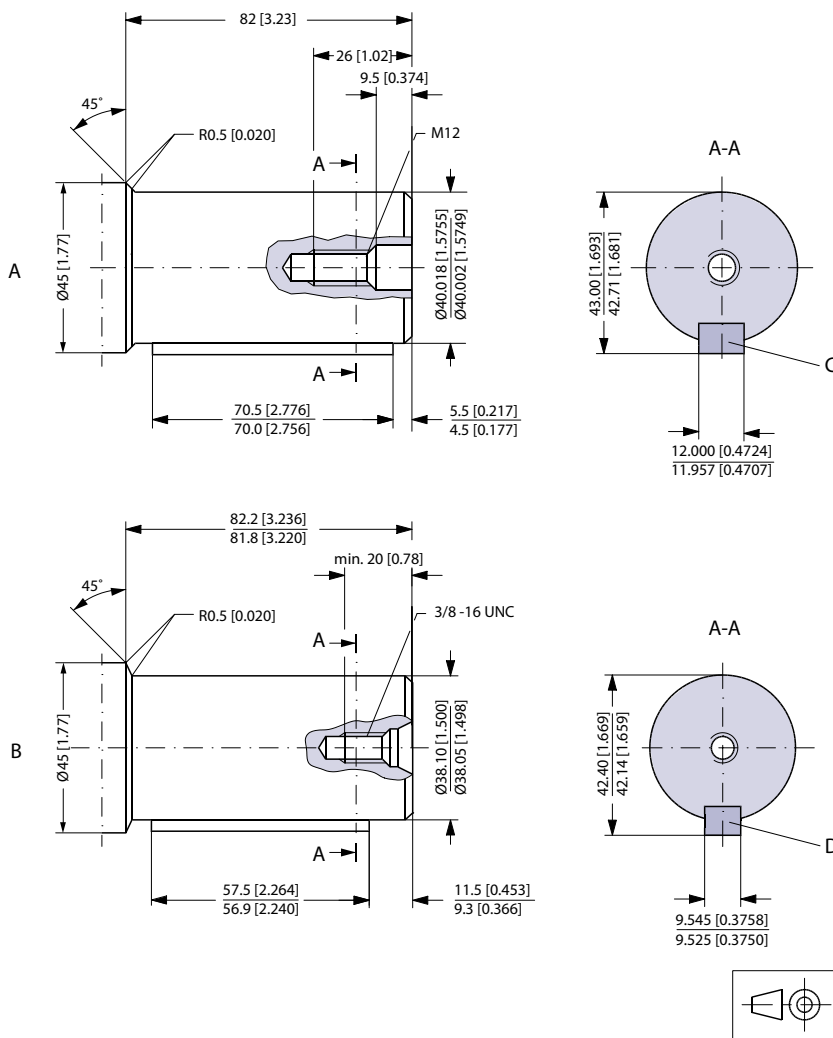
Explanation of function diagram use, basis and conditions, see [Speed, torque and output](#) on page 7.

[Intermittent pressure drop and oil flow must not occur simultaneously.](#)



OMT

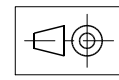
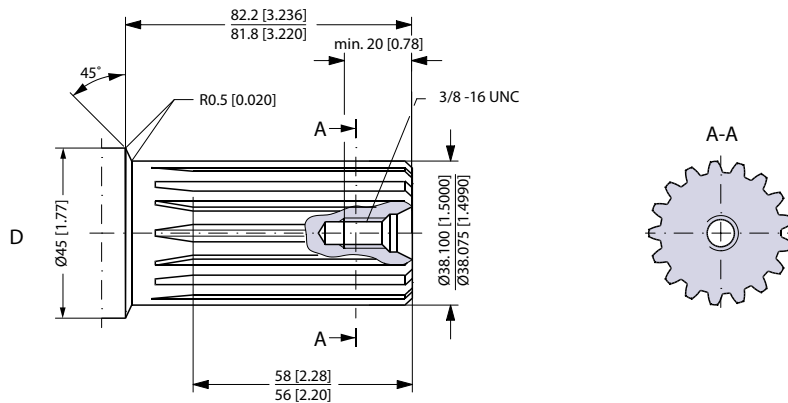
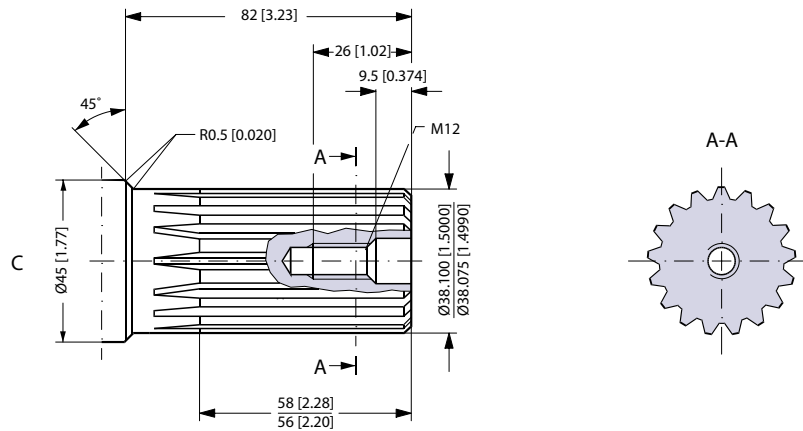
Shaft version



151-1032.10

- |  |   |
|--|---|
| <p><b>A</b> Cylindrical 40 mm shaft</p> <p><b>C</b> Parallel key<br/>A12 × 8 × 70<br/>DIN 6885<br/>Keyway deviates from standard</p> | <p><b>B</b> Cylindrical 1.5 in shaft</p> <p><b>D</b> Parallel key<br/>3/8 × 3/8 × 21/4 in<br/>B.S. 46<br/>Keyway deviates from standard</p> |
|--|---|

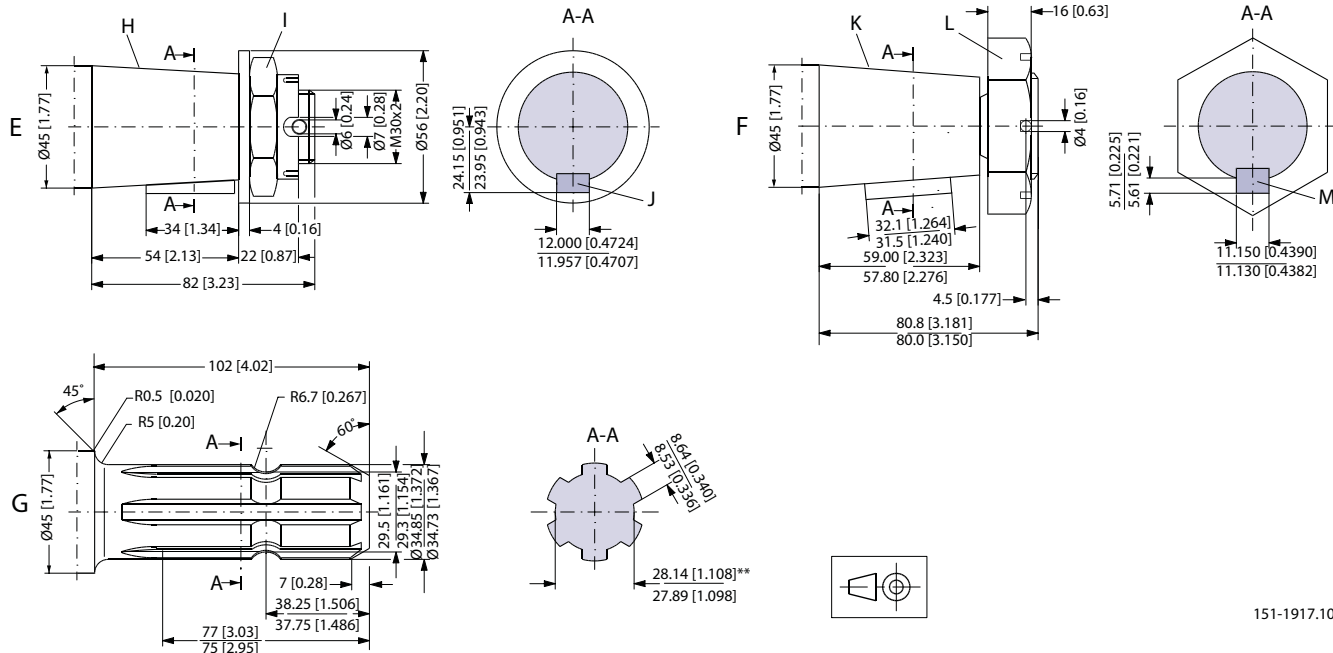
OMT



151-1916.10

- C** Involute splined shaft  
ANS B92.1 - 1970 standard  
Flat root side fit  
Pitch 12/24  
Teeth 17  
Major diameter 1.50 in  
Pressure angle 30°

- D US version**  
Involute splined shaft  
ANS B92.1 - 1970 standard  
Flat root side fit  
Pitch 12/24  
Teeth 17  
Major diameter 1.50 in  
Pressure angle 30°

**OMT**


**E** Tapered 45 mm shaft (ISO/R775)

**I** DIN 937

Across flats: 46 mm

Tightening torque: 500 ± 30 Nm [4430 ± 270 lbf-in]

**H** Taper 1:10

**J** Parallel key

B12 × 8 × 28

DIN 6885

Keyway deviates from standard

**F** Tapered 1.75 in shaft

**K** Cone 1:8

SAE J501

**L** 1 1/4 - 18 UNEF

Across flats 2 3/16 in

Tightening torque: 500 ± 10 Nm (4425 ± 90 lbf-in)

**M** Parallel key

7/16 × 7/16 × 1 1/4

B.S. 46

Keyway deviates from standard

**G** P.t.o. shaft

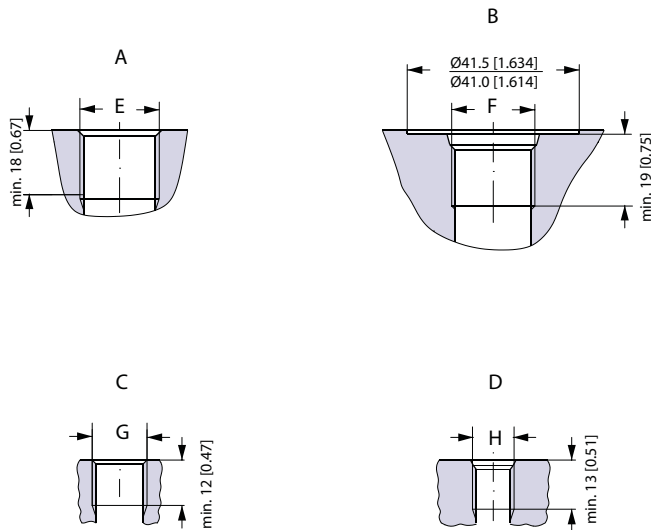
DIN 9611 Form 1 (ISO/R500 without pin hole)

\*\* Deviates from DIN 9611

151-1917.10

OMT

Port thread versions



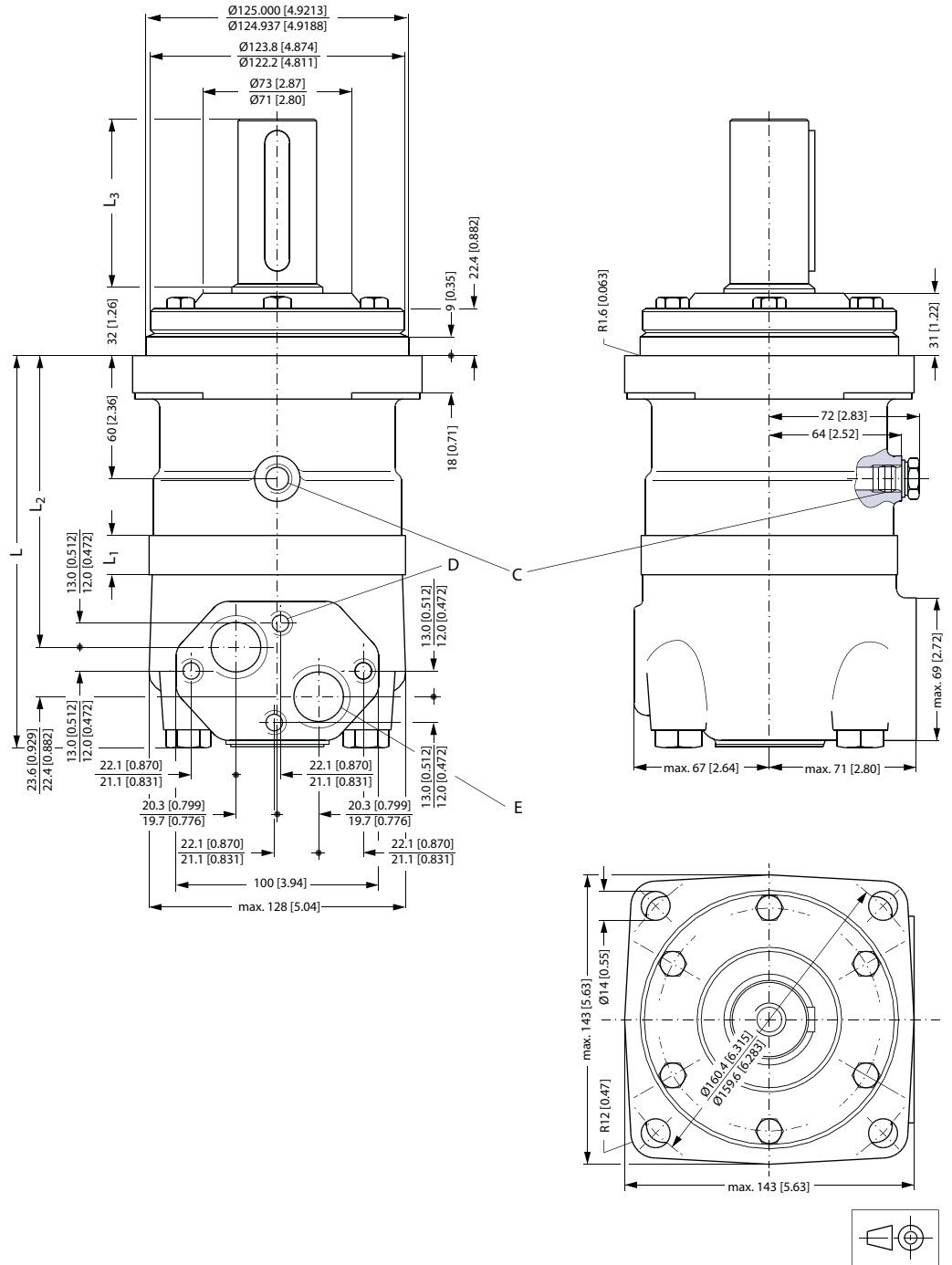
151-1977.11

- |          |   |          |                |
|----------|---|----------|----------------|
| <b>A</b> | G main ports                            | <b>B</b> | UN main ports  |
| <b>E</b> | ISO 228/1 - G3/4<br>O-ring boss port    | <b>F</b> | 1 1/16 - 12 UN |
| <b>C</b> | G drain port                            | <b>D</b> | UNF drain port |
| <b>G</b> | G: ISO 228/1 - G1/4<br>O-ring boss port | <b>H</b> | 9/16 - 18 UNF  |

OMT

Dimensions

Standard flange—European version



**C:** Drain connection  
G 1/4; 12 mm [0.47 in] deep

**D:** M10; 10 mm [0.39 in] deep

**E:** G 3/4; 17 mm [0.67 in] deep

**OMT**

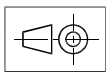
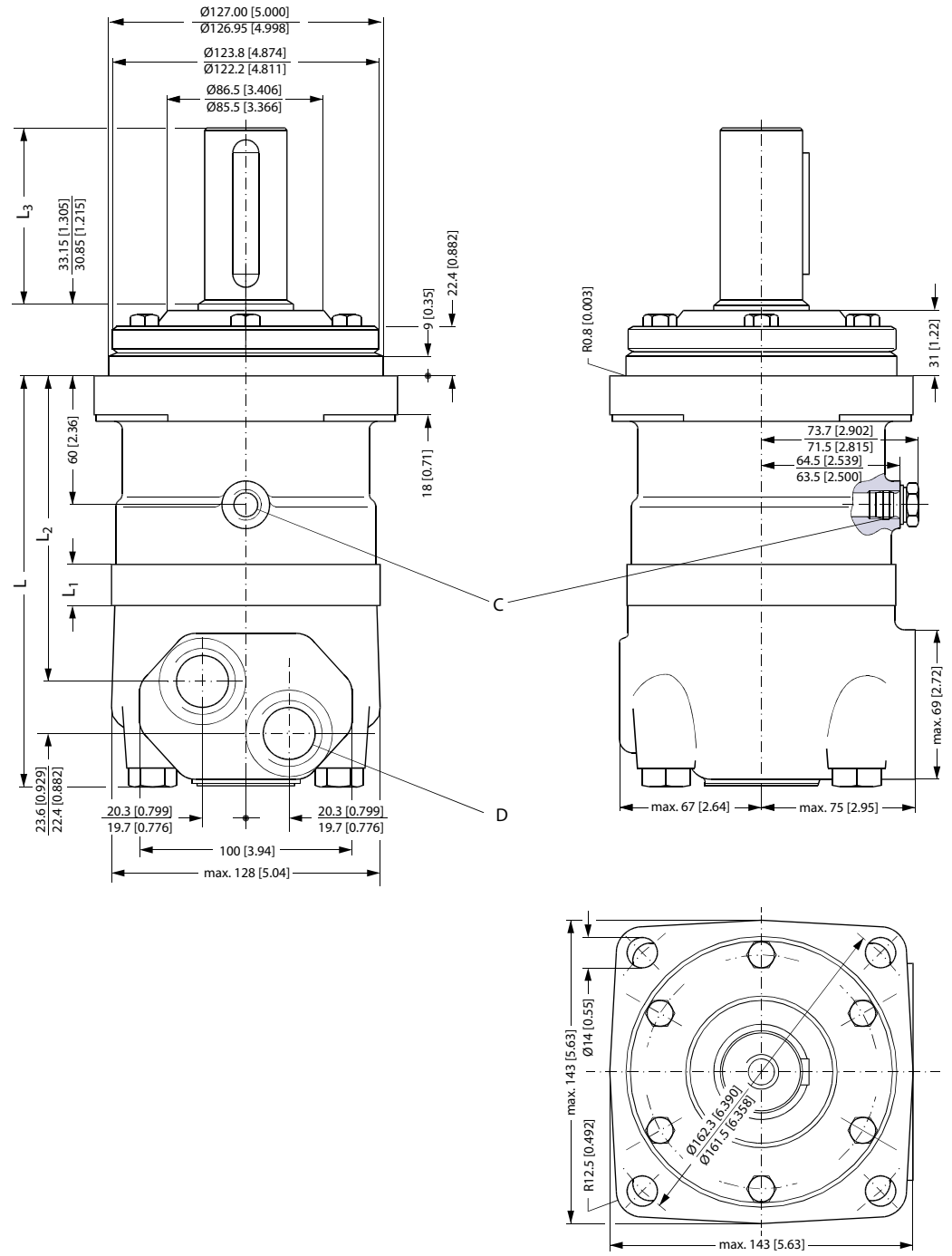
Type	L <sub>max</sub> mm [in]	L <sub>1</sub> * mm [in]	L <sub>2</sub> mm [in]
OMT 160	190 [7.48]	16.5 [0.650]	140 [5.51]
OMT 200	195 [7.68]	21.5 [0.846]	145 [5.71]
OMT 250	201 [7.91]	27.8 [1.094]	151 [5.94]
OMT 315	211 [8.31]	37.0 [1.457]	161 [6.34]
OMT 400	221 [8.70]	47.5 [1.870]	171 [6.73]
OMT 500	235 [9.25]	61.5 [2.421]	185 [7.28]

\* The gearwheel set is 3.5 mm [0.138 in] wider across the rollers than the L1 dimensions

Output shaft		L <sub>3</sub> mm [in]
All shafts except P.t.o. shaft	max.	82 [3.23]
P.t.o. shaft	max.	102 [4.02]

OMT

Standard flange—US version



151-889.11.22

**C:** Drain connection 9/16 - 18 UNF; 13 mm [0.51 in] deep O-ring boss port

**D:** 1 1/16 - 12 UN; 19 mm [0.75 in] deep O-ring boss port

**OMT**

Type	L <sub>max</sub> mm [in]	L <sub>1</sub> * mm [in]	L <sub>2</sub> mm [in]
OMT 160	190 [7.48]	16.5 [0.650]	140 [5.51]
OMT 200	195 [7.68]	21.5 [0.846]	145 [5.71]
OMT 250	201 [7.91]	27.8 [1.094]	151 [5.94]
OMT 315	211 [8.31]	37.0 [1.457]	161 [6.34]
OMT 400	221 [8.70]	47.5 [1.870]	171 [6.73]
OMT 500	235 [9.25]	61.5 [2.421]	185 [7.28]

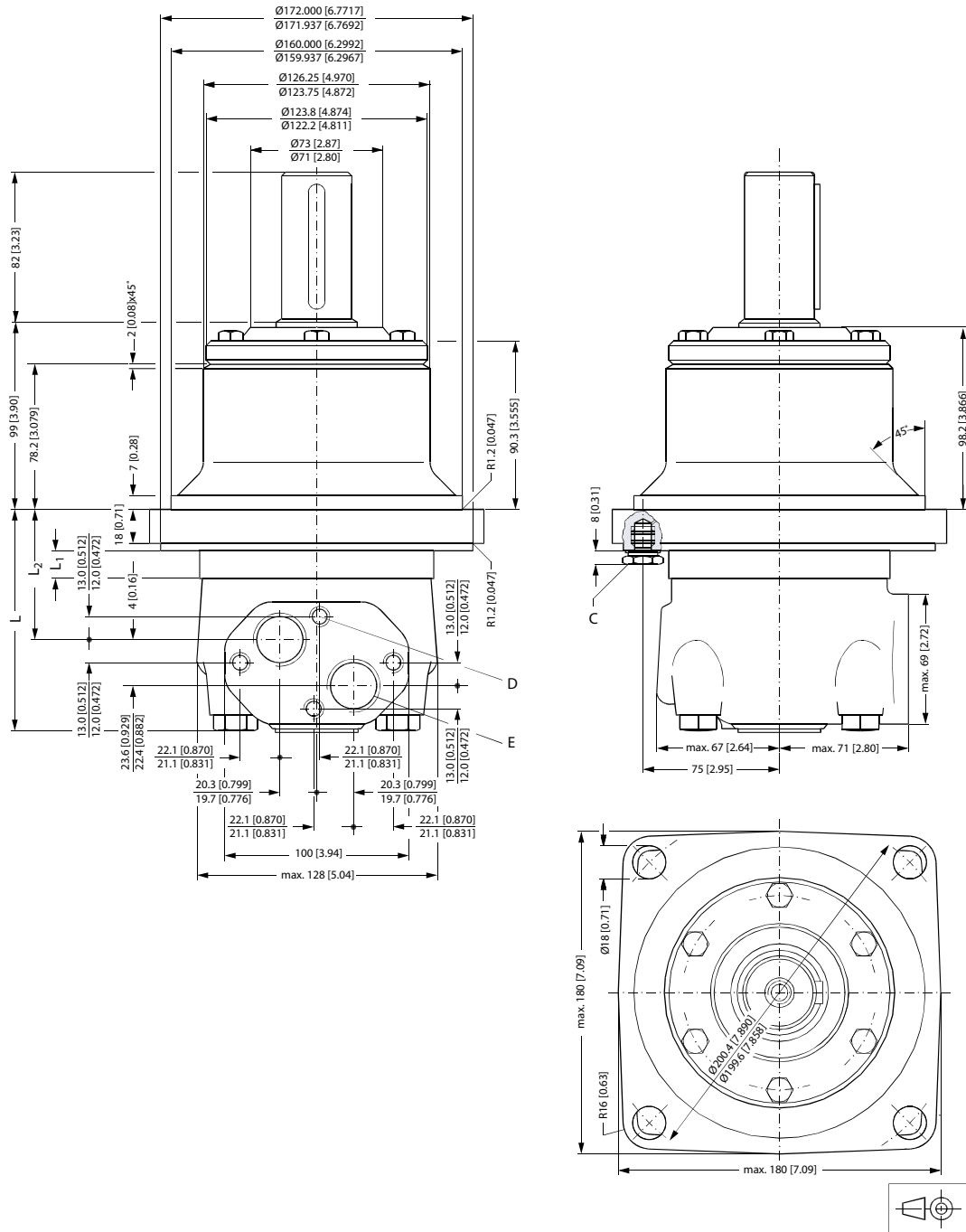
\* The gearwheel set is 3.5 mm [0.138 in] wider across the rollers than the L1 dimensions

Output shaft	L <sub>3</sub> mm [in]
Cyl. 1.5 in Splined 1.5 in	82 [3.23]
Tapered 1.75 in	80.4 [3.17]



OMT

Wheel—European version



151-897.12

**C:** Drain connection  
G 1/4; 12 mm [0.47 in] deep

**D:** M10; 10 mm [0.39 in] deep

**E:** G 3/4; 17 mm [0.67 in] deep

Type	L <sub>max</sub> mm [in]	L <sub>1</sub> * mm [in]	L <sub>2</sub> mm [in]
OMTW 160	123 [4.84]	16.5 [0.650]	73 [2.87]
OMTW 200	128 [5.04]	21.5 [0.846]	78 [3.07]

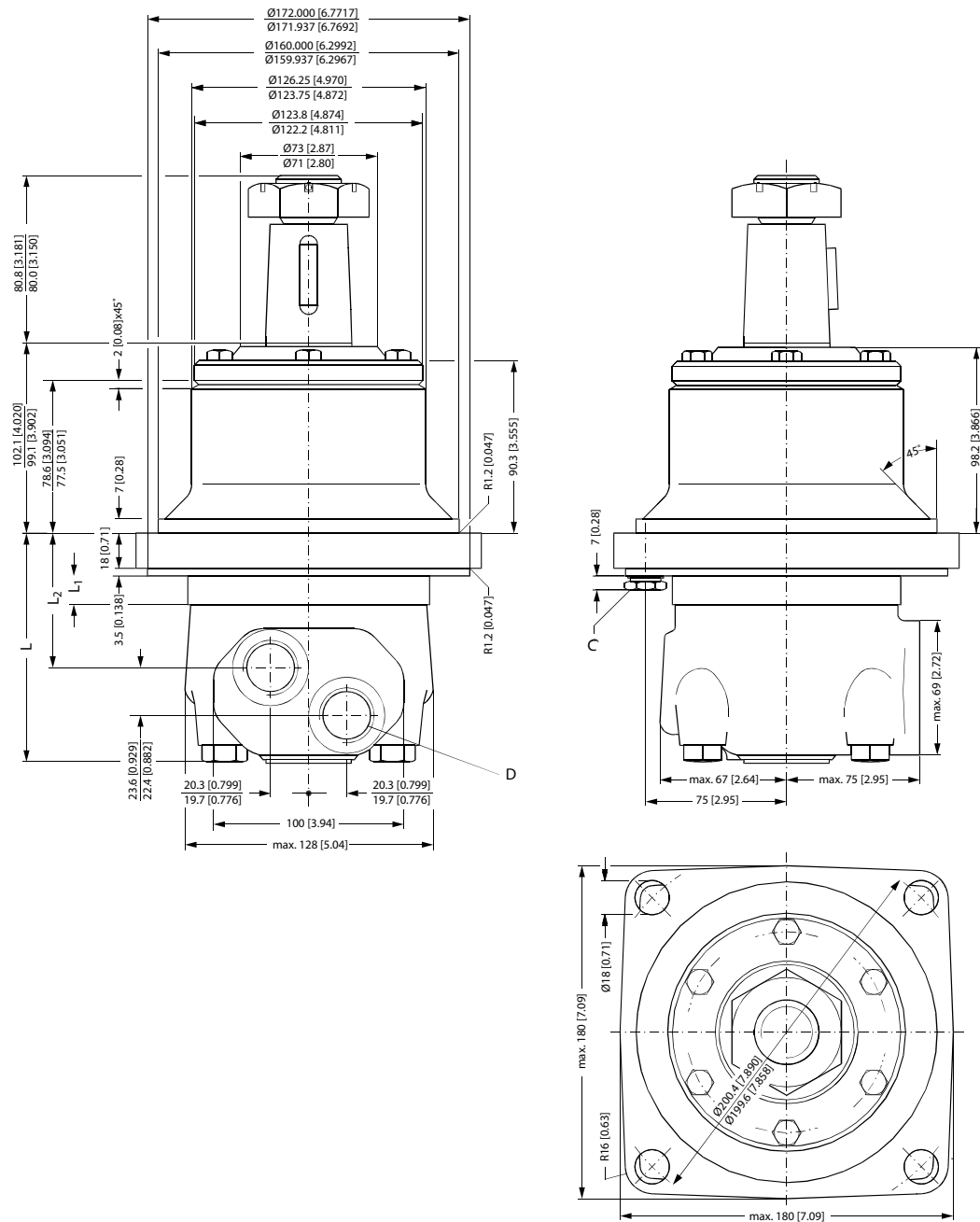
**OMT**

<b>Type</b>	<b>L<sub>max</sub> mm [in]</b>	<b>L<sub>1</sub> *mm [in]</b>	<b>L<sub>2</sub> mm [in]</b>
OMTW 250	134 [5.28]	27.8 [1.094]	84 [3.31]
OMTW 315	144 [5.67]	37.0 [1.457]	94 [3.70]
OMTW 400	154 [6.06]	47.5 [1.870]	104 [4.09]
OMTW 500	168 [6.61]	61.5 [2.421]	118 [4.65]

\* The gearwheel set is 3.5 mm [0.138 in] wider across the rollers than the L1 dimensions

OMT

Wheel—US version



**C:** Drain connection  
 916 - 18 UNF;  
 13 mm [0.51 in] deep  
 O-ring boss port

**D:** 1 1/16 - 12 UN;  
 19 mm [0.75 in] deep  
 O-ring boss port



151-897.11.22

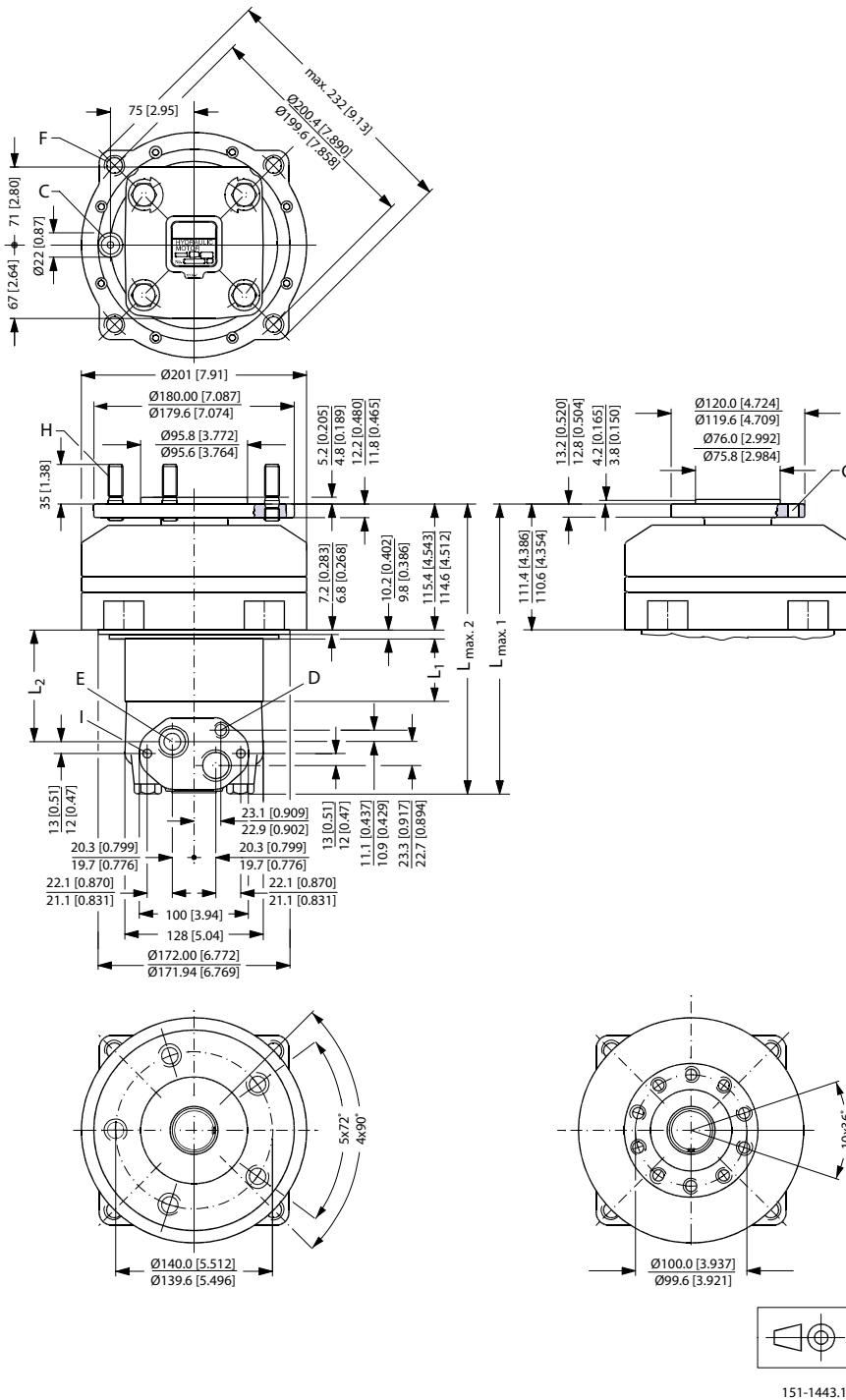
**OMT**

<b>Type</b>	<b>L<sub>max</sub> mm [in]</b>	<b>L<sub>1</sub>* mm [in]</b>	<b>L<sub>2</sub> mm [in]</b>
OMTW 160	123 [4.84]	16.5 [0.650]	73 [2.87]
OMTW 200	128 [5.04]	21.5 [0.846]	78 [3.07]
OMTW 250	134 [5.28]	27.8 [1.094]	84 [3.31]
OMTW 315	144 [5.67]	37.0 [1.457]	94 [3.70]
OMTW 400	154 [6.06]	47.5 [1.870]	104 [4.09]
OMTW 500	168 [6.61]	61.5 [2.421]	118 [4.65]

\*The gearwheel set is 3.5 mm [0.138 in] wider across the rollers than the L1 dimensions

OMT

Brake-wheel—European version



**C:** Brake-release port G 1/4; 12 mm [0.47 in] deep (BS/ISO 228/1)

**D:** Drain connection G 1/4; 12 mm [0.47 in] deep

**E:** G 3/4; 17 mm [0.67 in] deep

**F:** 4 × M12; 27 mm [1.06 in] deep

**G:** 10 × M12

**H:** Wheel bolts 5 × M14 × 1.5

**I:** M10; 10 mm [0.39 in] deep

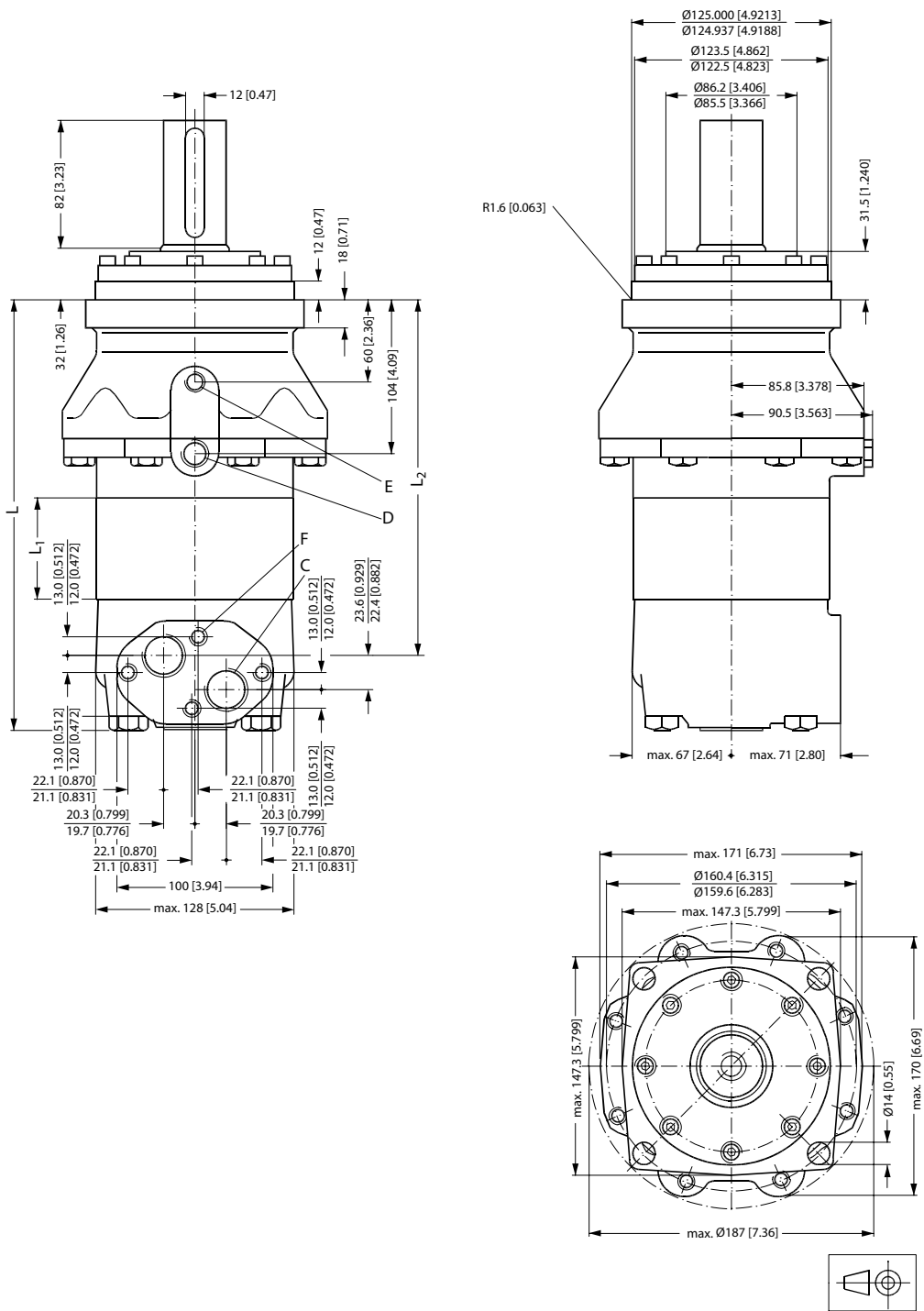
**OMT**

Type	L <sub>max 1</sub> mm [in]	L <sub>max 2</sub> mm [in]	L <sub>1</sub> * mm [in]	L <sub>2</sub> mm [in]
OMT 160 FX	223 [8.78]	227 [8.94]	16.5 [0.650]	62 [2.45]
OMT 200 FX	228 [8.98]	232 [9.13]	21.5 [0.846]	67 [2.65]
OMT 250 FX	234 [9.21]	238 [9.37]	27.8 [1.094]	74 [2.89]
OMT 315 FX	243 [9.57]	247 [9.72]	37.0 [1.457]	83 [3.26]
OMT 400 FX	254 [10.00]	258 [10.16]	47.5 [1.870]	93 [3.67]
OMT 500 FX	268 [10.55]	272 [10.71]	61.5 [2.421]	107 [4.22]

\*The gearwheel set is 3.5 mm [0.138 in] wider across the rollers than the L1 dimensions

OMT

Brake-standard—European version



151-1453.10

**C:** G 3/4; 17 mm [0.67 in] deep (BS/ISO 228/1)

**D:** Drain connection G 3/8; 14 mm [0.55 in] deep

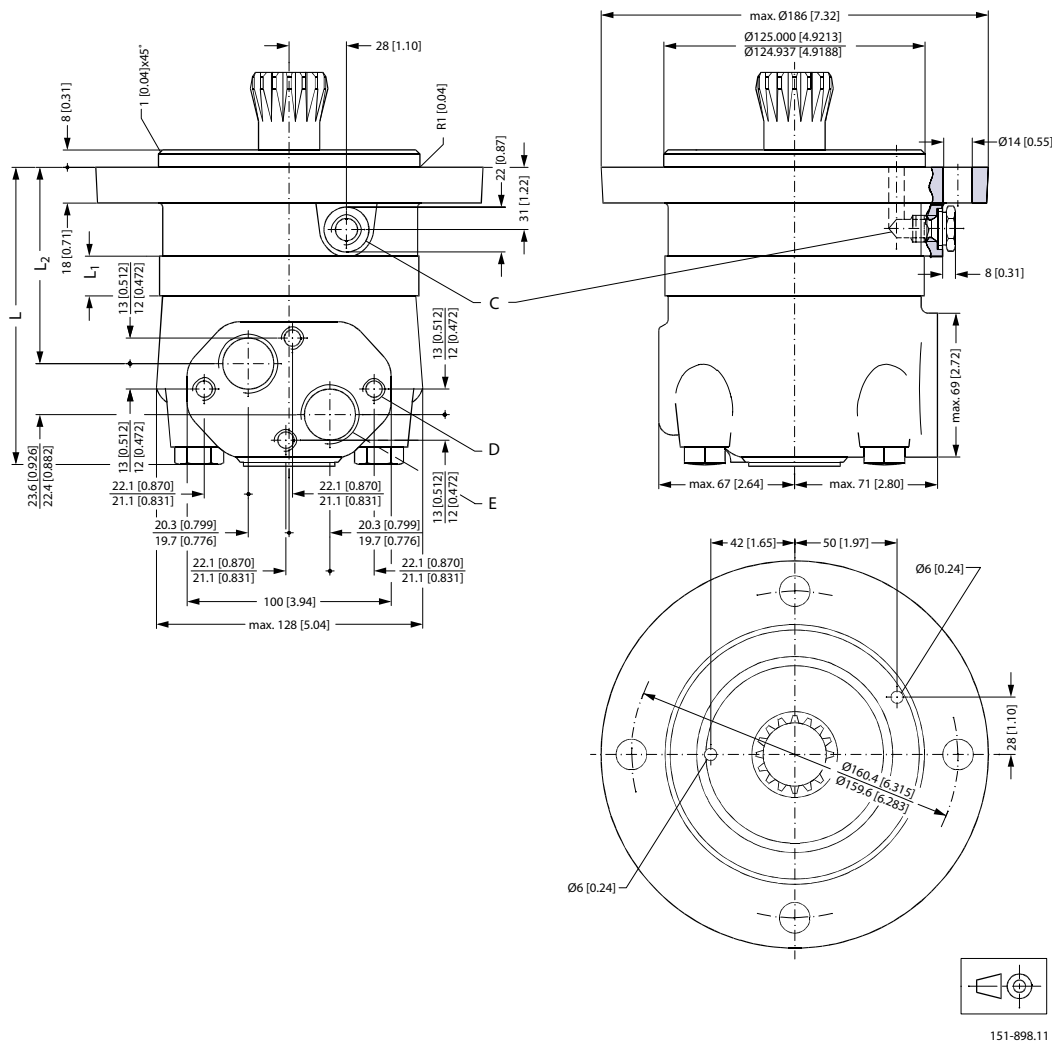
**E:** Brake-release port G 1/4; 12 mm [0.47 in] deep

**F:** M10; 10 mm [0.39 in] deep

**OMT**

Type	L <sub>max</sub> mm [in]	L <sub>1</sub> * mm [in]	L <sub>2</sub> mm [in]
OMT 160 FL/FH	228 [8.98]	16.5 [0.650]	178 [7.01]
OMT 200 FL/FH	233 [9.17]	21.5 [0.846]	183 [7.20]
OMT 250 FL/FH	239 [9.41]	27.8 [1.094]	189 [7.44]
OMT 315 FL/FH	248 [9.76]	37.0 [1.457]	199 [7.83]
OMT 400 FL/FH	259 [10.20]	47.5 [1.870]	209 [8.23]
OMT 500 FL/FH	273 [10.75]	61.5 [2.421]	223 [8.78]

\*The gearwheel set is 3.5 mm [0.138 in] wider across the rollers than the L<sub>1</sub> dimensions

**Short—European version**


**C:** Drain connection G 1/4; 12 mm [0.47 in] deep

**D:** M10; 10 mm [0.39 in] deep **E:** G 3/4; 17 mm [0.67 in] deep

Type	L <sub>max</sub> mm [in]	L <sub>1</sub> * mm [in]	L <sub>2</sub> mm [in]
OMTS 160	146 [5.75]	16.5 [0.650]	96 [3.78]
OMTS 200	151 [5.94]	21.5 [0.846]	101 [3.98]



**OMT**

Type	L <sub>max</sub> mm [in]	L <sub>1</sub> * mm [in]	L <sub>2</sub> mm [in]
OMTS 250	157 [6.18]	27.8 [1.094]	107 [4.21]
OMTS 315	166 [6.54]	37.0 [1.457]	116 [4.57]
OMTS 400	177 [6.97]	47.5 [1.870]	127 [5.00]
OMTS 500	191 [7.52]	61.5 [2.421]	142 [5.59]

\* The gearwheel set is 3.5 mm [0.138 in] wider across the rollers than the L<sub>1</sub> dimensions

**OMTS**
**Installation**

The cardan shaft of the OMTS motor acts as an “output shaft”. Because of the movement of the shaft, no seal can be fitted at the shaft output.

Internal oil leakage from the motor will therefore flow into the attached component.

During start and operation it is important that the spline connection and the bearings in the attached component receive oil and are adequately lubricated. To ensure that the spline connection receives sufficient oil, a conical sealing ring between the shaft of the attached component and the motor intermediate plate is recommended. This method is used in the OMT.

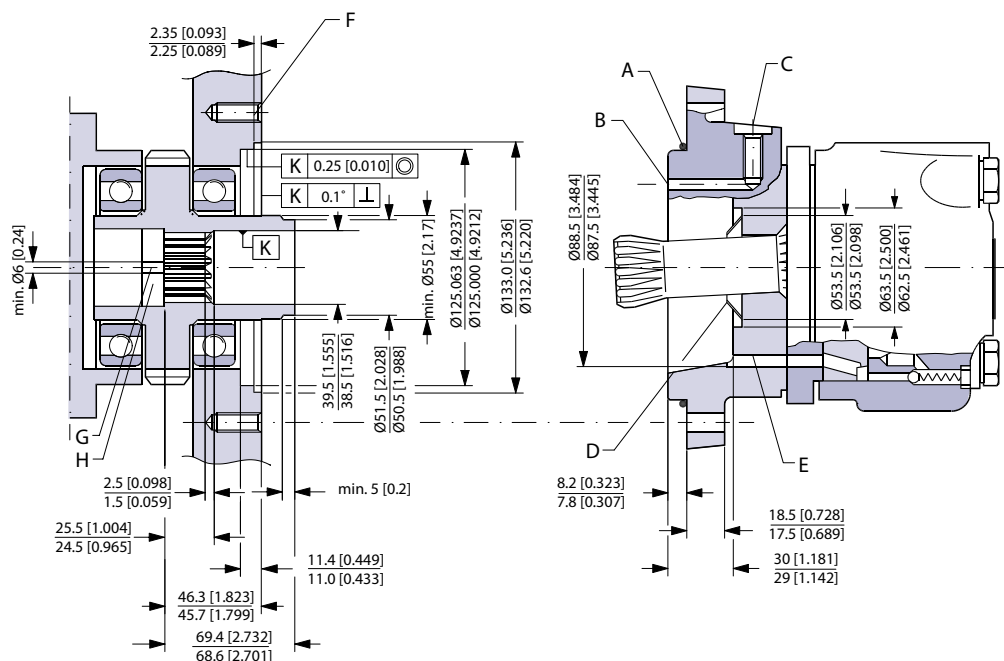
The conical sealing ring (code. no. 633B9022) is supplied with the motor.

To ensure that oil runs to the bearings and other parts of the attached component, the stop plate must have a hole in it (see fig. below).

We recommend an O-ring between motor and attached component. The O-ring (code no. 151B1040) is supplied with the motor. If motor and attached component have been separated, remember to refill before starting up. Fill the oil through the drain connection.

**Attached component dimensions**

*OMTS dimensions of the attached component in millimeter [inches]*



151-452.10

**OMT**

- |          |   |          |                                |
|----------|---|----------|--------------------------------|
| <b>A</b> | O-ring: 125 × 3 mm                              | <b>B</b> | External drain channel         |
| <b>C</b> | Drain connection<br>G 1/4; 12 mm [0.47 in] deep | <b>D</b> | Conical seal ring              |
| <b>E</b> | Internal drain channel                          | <b>F</b> | M12; min. 18 mm [0.71 in] deep |
| <b>G</b> | Oil circulation hole                            | <b>H</b> | Hardened stop plate            |

**Attached component internal splines**

The attached component must have internal splines corresponding to the external splines on the motor cardan shaft (see the following drawing).

**Material:**

Case hardening steel with a tensile strength corresponding at least to 20 MoCr4 (900 N/mm<sup>2</sup>) or SAE 8620.

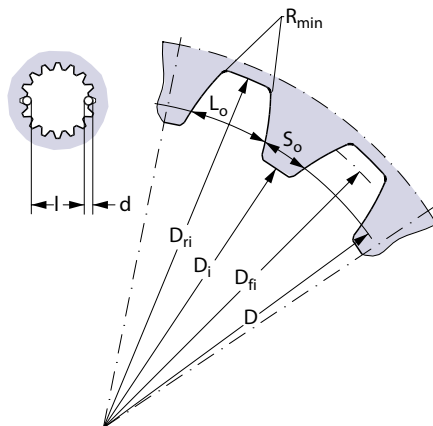
**Hardening specification:**

- On the surface: HV = 750 ± 50
- 0.7 ± 0.2 mm under the surface: HV = 560

*Internal involute spline data; Standard ANS B92.1-1970, class 5 (corrected  $m \cdot X = 1$ ;  $m = 2.1166$ )*

Flat root side fit		mm	in
Number of teeth	z	16	16
Pitch	DP	12/24	12/24
Pressure angle		30°	30°
Pitch dia.	D	33.8656	1.3333
Major dia.	D <sub>ri</sub>	38.4 <sub>0</sub> <sup>+0.4</sup>	1.5118 <sub>0</sub> <sup>+0.0157</sup>
Form dia. (min.)	D <sub>fi</sub>	37.6	1.4803
Minor dia.	D <sub>i</sub>	32.150 <sub>0</sub> <sup>+0.04</sup>	1.2657 <sub>0</sub> <sup>+0.00157</sup>
Space width (circular)	L <sub>o</sub>	4.516 <sup>±0.037</sup>	0.1777 <sup>±0.0014</sup>
Tooth thickness (circular)	S <sub>o</sub>	2.170	0.0854
Fillet radius	R <sub>min.</sub>	0.5	0.02
Max. measurement between pins*	l	26.9 <sub>0</sub> <sup>+0.1</sup>	1.059 <sub>0</sub> <sup>+0.004</sup>
Pin dia.	d	4.834 <sup>±0.001</sup>	0.1903 <sup>±0.00004</sup>

\* Finished dimensions (when hardened).

**OMT**


151-455.10

**Motor or attached component drain connection**

Use the drain line when pressure in the return line exceeds the permissible pressure on the shaft seal of the attached component.

**Connect the drain line either at the:**

- Motor drain connection
- Drain connection of the attached component

If a drain line is fitted to the attached component, it must be possible for oil to flow freely between motor and attached component.

The drain line must be led to the tank in such a way that there is no risk of the motor and attached component being drained of oil when at rest.

The maximum pressure in the drain line is limited by the attached component and its shaft seal.

**OMV**
**Versions**
*OMV versions*

Mounting flange	Shaft	Port size	European version	US version	Drain connection	Check valve	Main type designation
Standard flange	Cyl. 50 mm	G1	X		Yes	Yes	OMV
	Cyl. 2.25 in	1 5/16-12 UN		X	Yes	Yes	OMV
	Splined 2.125 in	G1	X		Yes	Yes	OMV
		1 5/16-12 UN		X	Yes	Yes	OMV
	Tapered 60 mm	G1	X		Yes	Yes	OMV
Tapered 2.25 in	1 5/16-12 UN		X	Yes	Yes	OMV	
SAE-C flange	Cyl. 2.25 in	1 5/16-12 UN		X	Yes	Yes	OMV
	Splined 2.125 in	1 5/16-12 UN		X	Yes	Yes	OMV
Wheel	Cyl. 50 mm	G1	X		Yes	Yes	OMVW
	Tapered 60 mm	G1	X		Yes	Yes	OMVW
	Tapered 2.25 in	1 5/16-12 UN		X	Yes	Yes	OMVW
Short	No output shaft	G1	X		Yes	Yes	OMVS

**Features**

Features available (options):

- Speed sensor
- Motor with tacho connection
- Viton shaft seal
- Painted
- Ultra short

**Code numbers**
*OMV code numbers*

Code Numbers	Displacement [cm <sup>3</sup> ]				
	315	400	500	630	800
<b>151B</b>	3100	3101	3102	3103	3104
<b>151B</b>	2150	2151	2152	2153	2154
<b>151B</b>	3105	3106	3107	3108	3109
<b>151B</b>	2155	2156	2157	2158	2159
<b>151B</b>	3110	3111	3112	3113	3114
<b>151B</b>	2160	2161	2162	2163	2164
<b>151B</b>	2183	2184	2185	2186	2187
<b>151B</b>	2188	2189	2190	2191	2192
<b>151B</b>	3115	3116	3117	3118	3119
<b>151B</b>	3120	3121	3122	3123	3124
<b>151B</b>	2170	2171	2172	2173	2174
<b>151B</b>	3125	3126	3127	3128	3129

**OMV**
**Ordering**

Add the four digit prefix "151B" to the four digit numbers from the chart for complete code number.

Example:

151B3101 for an OMV 400 with standard flange, cyl. 50 mm shaft and port size G 1.

Orders will not be accepted without the four digit prefix.

**Technical data**
**Technical data for OMV, OMVW and OMVS**

Type			OMV OMVW OMVS	OMV OMVW OMVS	OMV OMVW OMVS	OMV OMVW OMVS	OMV OMVW OMVS
Motor size			315	400	500	630	800
Geometric displacement	cm <sup>3</sup> [in <sup>3</sup> ]		314.5 [19.19]	400.9 [24.46]	499.6 [30.49]	629.1 [38.39]	801.8 [48.93]
Max. speed	min <sup>-1</sup> [rpm]	cont.	510	500	400	315	250
		int. <sup>1)</sup>	630	600	480	380	300
Max. torque	Nm [lbf-in]	cont.	920 [8140]	1180 [10440]	1460 [12920]	1660 [14690]	1880 [16640]
		int. <sup>1)</sup>	1110 [9820]	1410 [12480]	1760 [15580]	1940 [17170]	2110 [18680]
Max. output	kW [hp]	cont.	42.5 [57.0]	53.5 [71.7]	53.5 [71.7]	48.0 [64.4]	42.5 [57.0]
		int. <sup>1)</sup>	51.0 [68.4]	64.0 [85.8]	64.0 [85.8]	56.0 [75.1]	48.0 [64.4]
Max. pressure drop	bar [psi]	cont.	200 [2900]	200 [2900]	200 [2900]	180 [2610]	160 [2320]
		int. <sup>1)</sup>	240 [3480]	240 [3480]	240 [3480]	210 [3050]	180 [2610]
		peak <sup>2)</sup>	280 [4060]	280 [4060]	280 [4060]	240 [3480]	210 [3050]
Max. oil flow	l/min [USgal/ min]	cont.	160 [42.3]	200 [52.8]	200 [52.8]	200 [52.8]	200 [52.8]
		int. <sup>1)</sup>	200 [52.8]	240 [63.4]	240 [63.4]	240 [63.4]	240 [63.4]
Max. starting pressure with unloaded shaft	bar [psi]		8 [116]	8 [116]	8 [116]	8 [116]	8 [116]
Min. starting torque	at max. press. drop cont. Nm [lbf-in]		710 [6280]	910 [8050]	1130 [10000]	1330 [11770]	1510 [13360]
	at max. press. drop int. <sup>1)</sup> Nm [lbf-in]		850 [7520]	1090 [9650]	1360 [12040]	1550 [13720]	1700 [15050]

Type			Max. inlet pressure	Max. return pressure with drain line
OMV OMVW OMVS	bar [psi]	cont.	210 [3050]	140 [2030]
	bar [psi]	int. <sup>1)</sup>	250 [3630]	175 [2540]
	bar [psi]	peak <sup>2)</sup>	300 [4350]	210 [3050]

<sup>1)</sup> Intermittent operation: the permissible values may occur for max. 10% of every minute.

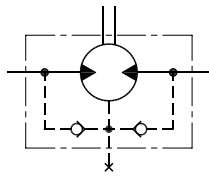
<sup>2)</sup> Peak load: The permissible values may occur for max. 1% of every minute.

For max. permissible combination of flow and pressure, see function diagram for actual motor.

**Maximum permissible shaft seal pressure**
**Motor with check valves and without use of drain connection**

The pressure on the shaft seal never exceeds the pressure in the return line.

OMV

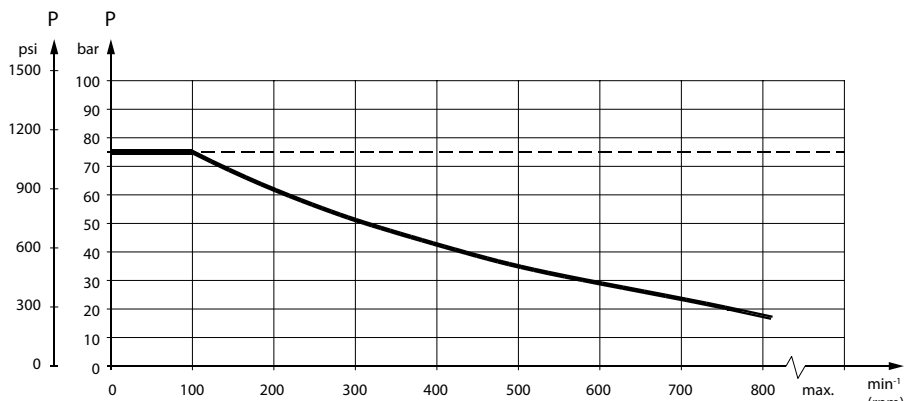


151-320.10

**Maximum return pressure**

The shaft seal pressure equals the pressure on the drain line.

Maximum return pressure without drain line or maximum pressure in the drain line

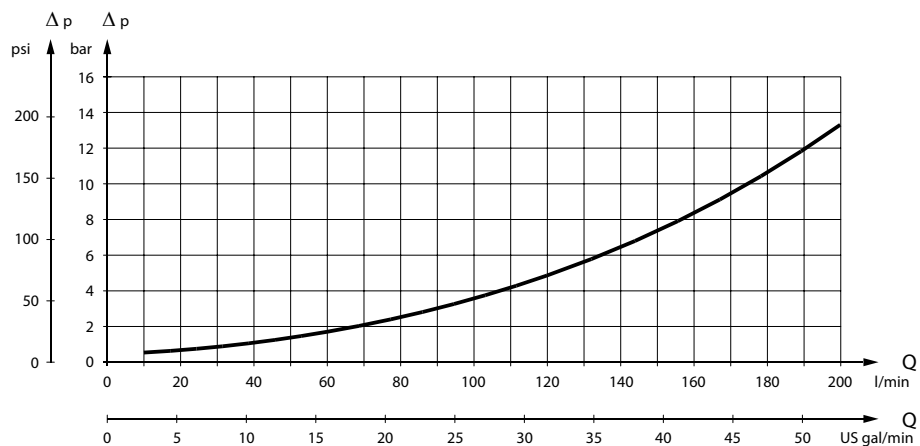


151-1674.10

----- Intermittent operation: the permissible values may occur for max. 10% of every minute.

———— Continuous operation

**Pressure drop in motor**



151-1410.10

The curve applies to an unloaded motor shaft and an oil viscosity of 35 mm<sup>2</sup>/s [165 SUS]

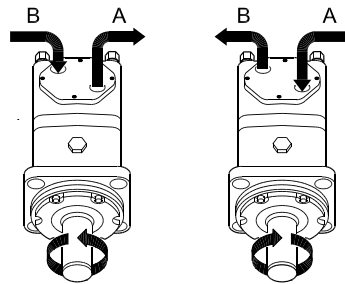
OMV

**Oil flow in drain line**

Maximum oil flow in the drain line at a return pressure less than 5-10 bar [75-150 psi]

Pressure drop bar [psi]	Viscosity mm <sup>2</sup> /s [SUS]	Oil flow in drain line l/min [US gal/min]
140 [2030]	20 [100]	3.0 [0.79]
	35 [165]	2.0 [0.53]
210 [3050]	20 [100]	6.0 [1.59]
	35 [165]	4.0 [1.06]

**Direction of shaft rotation**



151-394.10

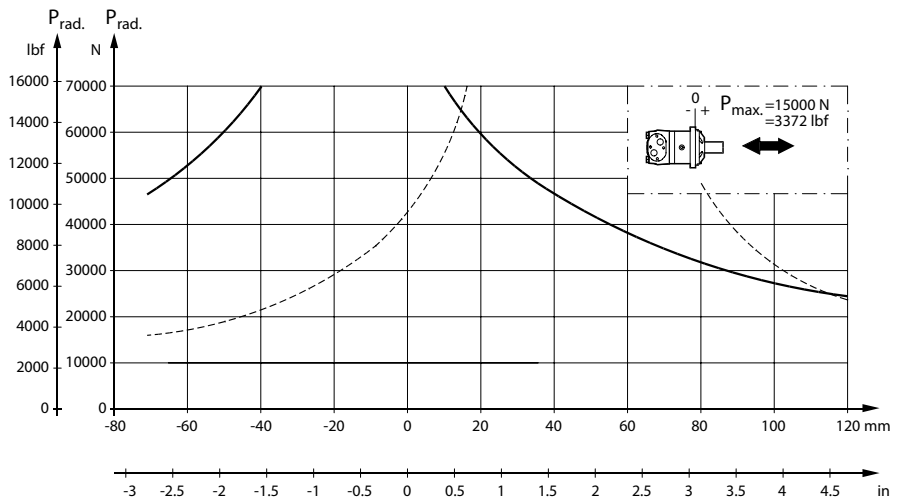
**Permissible shaft loads for OMV**

**Mounting flange:**

Standard

**Shaft:**

All shaft types



151-1973.10

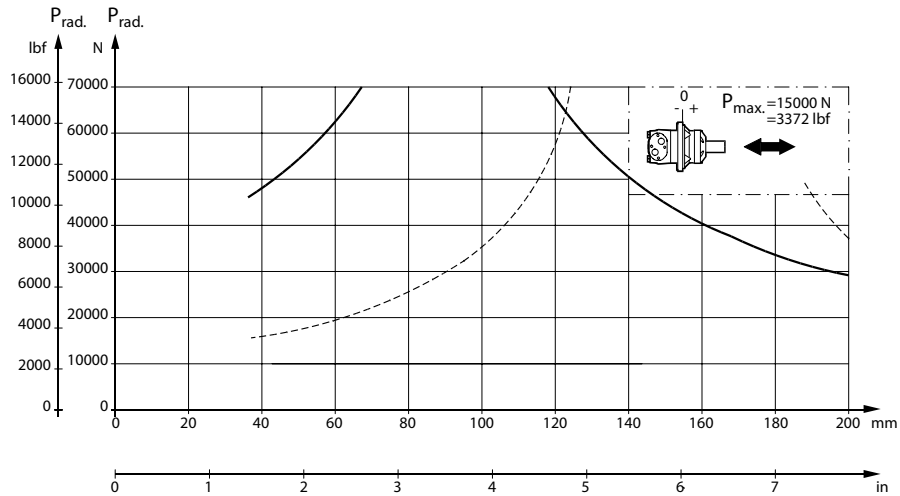
OMV

**Mounting flange:**

Wheel

**Shaft:**

All shaft types



151-1969.10

The output shaft runs in tapered roller bearings that permit high axial and radial forces.

The permissible radial load on the shaft is shown for an axial load of 0 N as a function of the distance from the mounting flange to the point of load application.

The curve is based on B10 bearing life (2000 hours or 12,000,000 shaft revolutions at  $100\text{ min}^{-1}$ ) at rated output torque, when mineral-based hydraulic oil with a sufficient content of anti-wear additives, is used.

For 3,000,000 shaft revolutions or 500 hours – increase these shaft loads with 52%.

The dash curve shows maximum radial shaft load. Any shaft load exceeding the values shown in the curve will involve a risk of breakage.

Bearing life calculations can be made using the explanation and formula provided in the chapter "Bearing dimensioning" in the technical information "General Orbital motors" 520L0232.

**Mounting flange:**

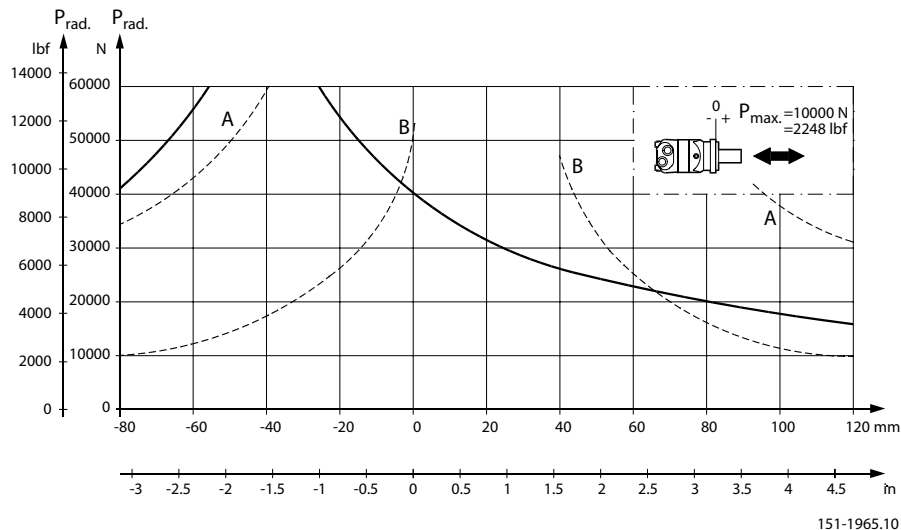
SAE-C

**Shaft:**

All shaft types



OMV



- A** Cyl. 2.25 in shaft
- B** Splined 2.125 in shaft

The output shaft runs in tapered roller bearings that permit high axial and radial forces.

The permissible radial load on the shaft is shown for an axial load of 0 N as a function of the distance from the mounting flange to the point of load application.

The curve is based on B10 bearing life (2000 hours or 12,000,000 shaft revolutions at  $100 \text{ min}^{-1}$ ) at rated output torque, when mineral-based hydraulic oil with a sufficient content of anti-wear additives, is used.

For 3,000,000 shaft revolutions or 500 hours – increase these shaft loads with 52%.

The dash curve shows max. radial shaft load. Any shaft load exceeding the values shown in the curve will involve a risk of breakage.

Bearing life calculations can be made using the explanation and formula provided in the chapter "Bearing dimensioning" in the technical information "General Orbital motors" 520L0232.

Function diagrams

**Continuous range**

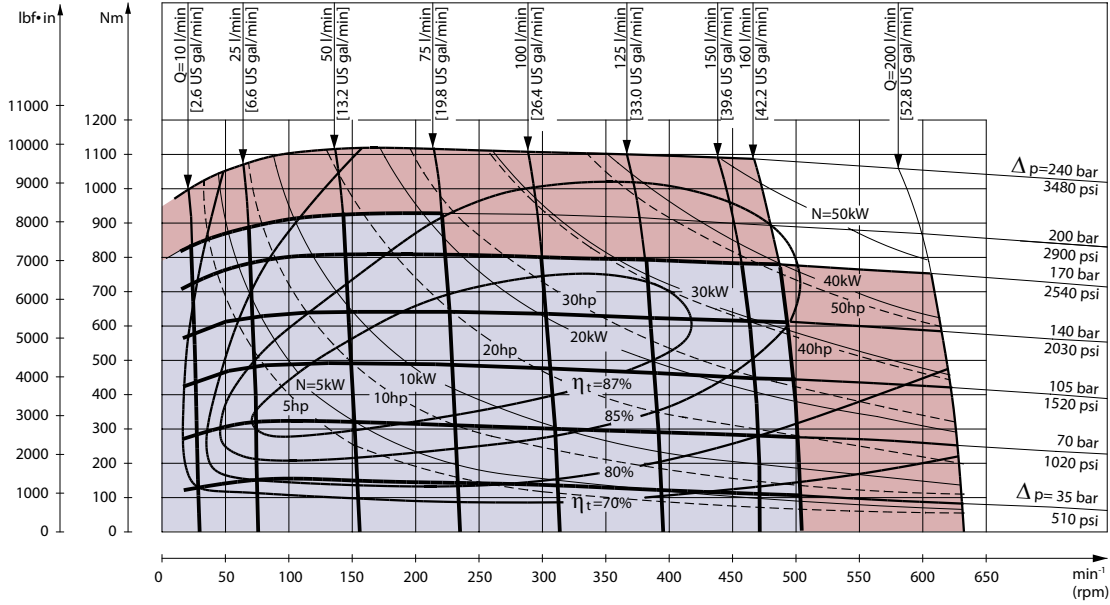


**Intermittent range (maximum 10% operation every minute)**



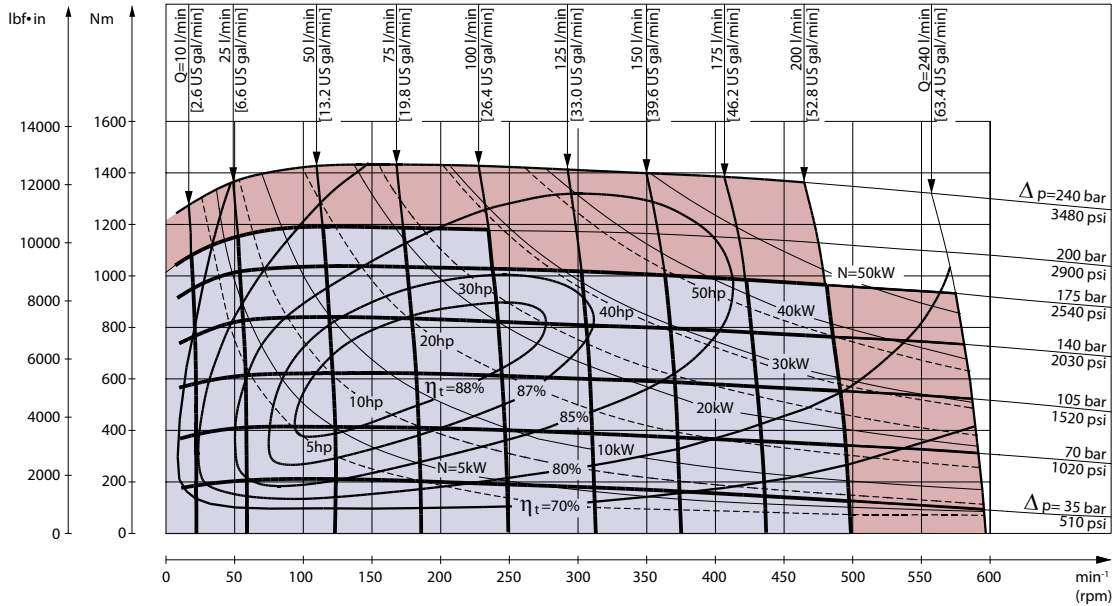
OMV

OMV 315



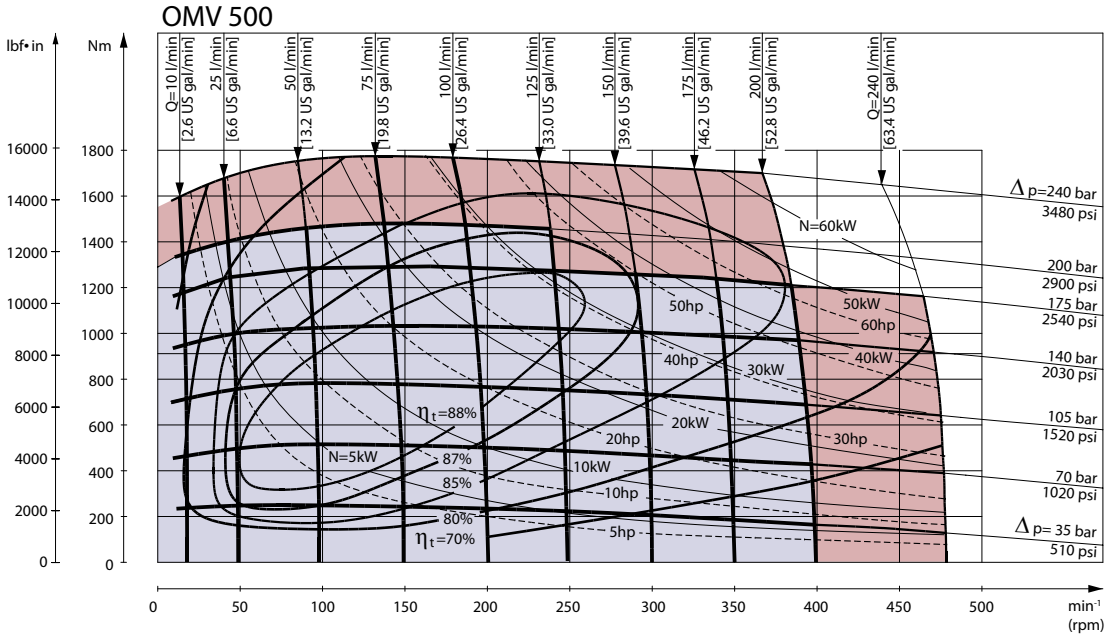
151-870.10

OMV 400

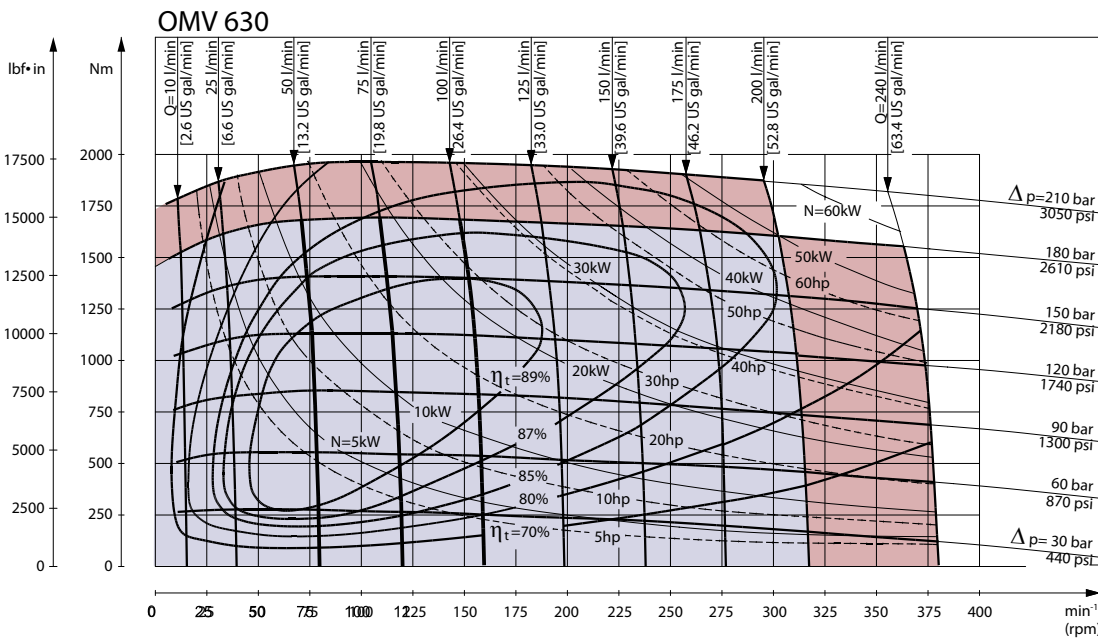


151-871.10

OMV

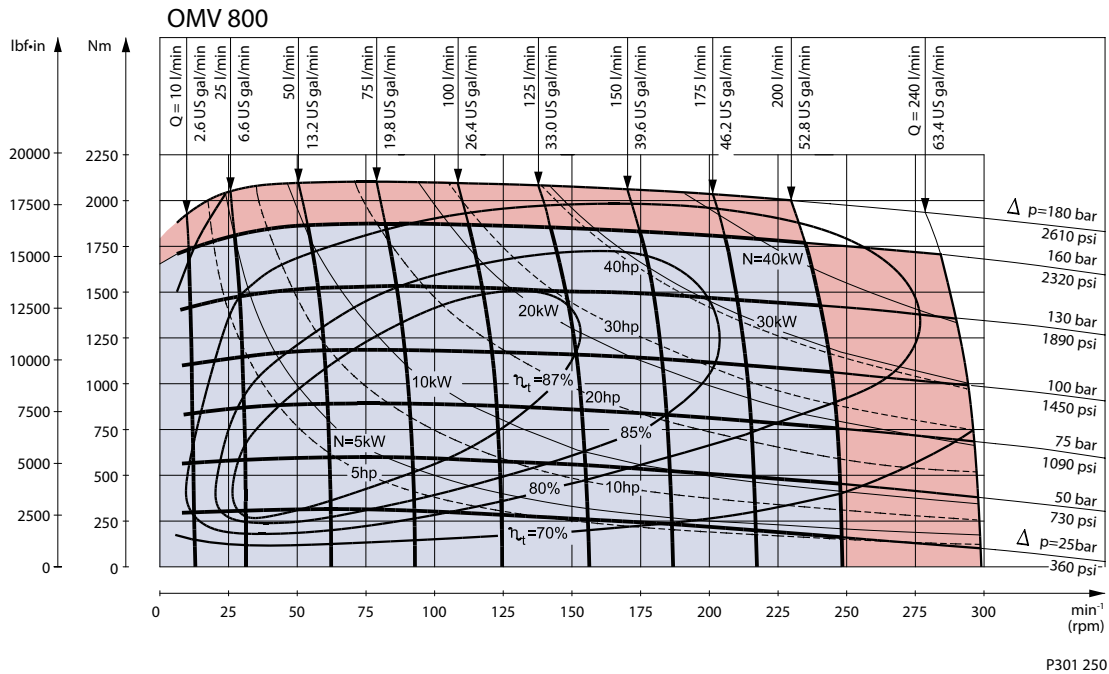


151-872.10



151-879.10

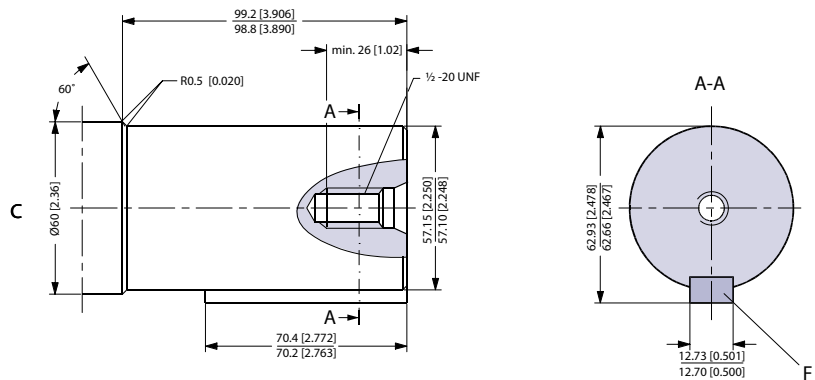
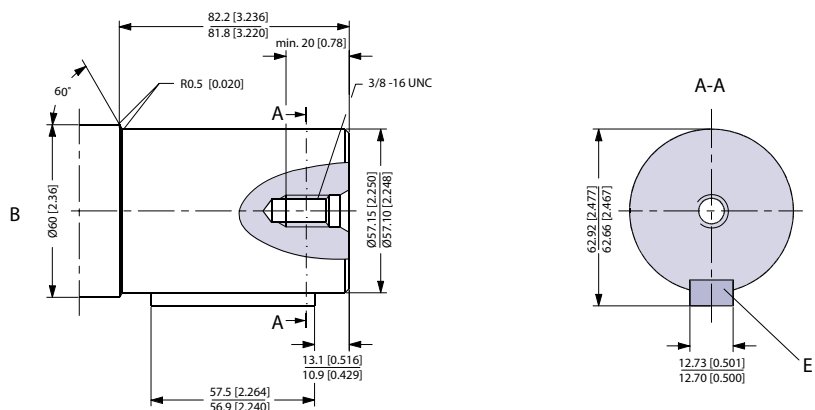
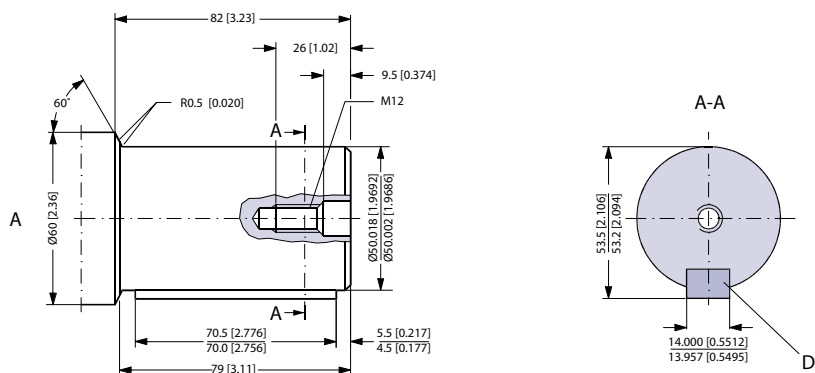
**OMV**



**Function diagram use**

Explanation of function diagram use, basis and conditions, see [Speed, torque and output](#) on page 7.

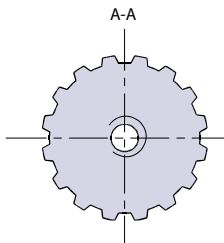
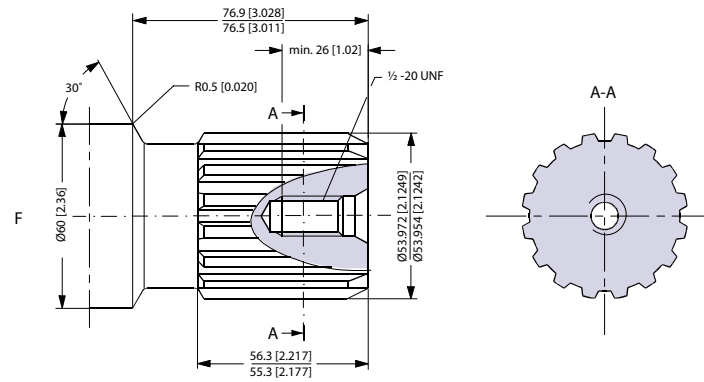
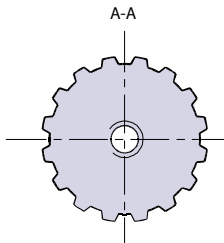
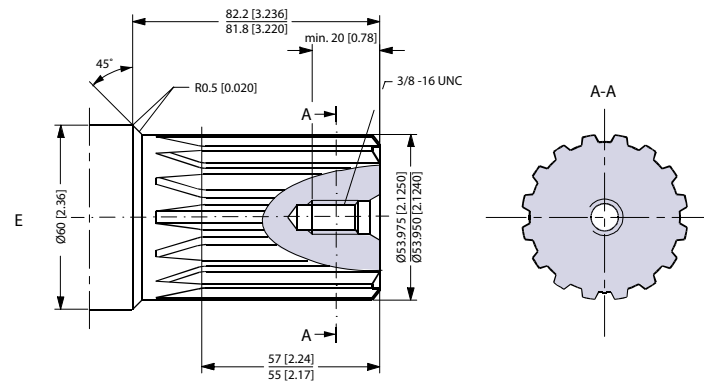
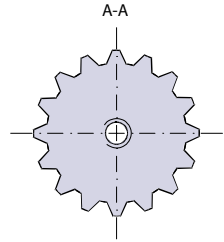
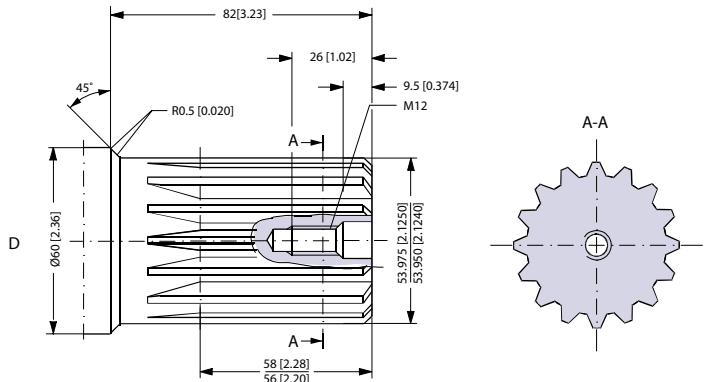
Intermittent pressure drop and oil flow must not occur simultaneously.

**OMV**
**Shaft version**


151-878.12

- |   |   |  |
|---|---|--|
| <p><b>A</b> Cylindrical 50 mm shaft</p> <p><b>D</b> Parallel key<br/>A14 × 9 × 70; DIN 6885<br/>Keyway deviates from standard</p> | <p><b>B</b> Cylindrical 2.25 in shaft for OMV with standard mounting flange</p> <p><b>E</b> Parallel key<br/>1/2 × 1/2 × 2<sup>1</sup>/<sub>4</sub> in; B.S. 46<br/>Keyway deviates from standard</p> | <p><b>C</b> Cylindrical 2.25 in shaft for OMV with mounting flange SAE-C</p> <p><b>F</b> Parallel key<br/>1/2 × 1/2 × 2<sup>1</sup>/<sub>4</sub> in; B.S. 46<br/>Keyway deviates from standard</p> |
|---|---|--|

OMV



151-1918.10

**D** Involute splined shaft ANS B92.1 - 1970 standard  
 Flat root side fit  
 Pitch 8/16; Teeth 16  
 Major dia. 2.125 in  
 Pressure angle 30°

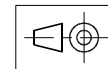
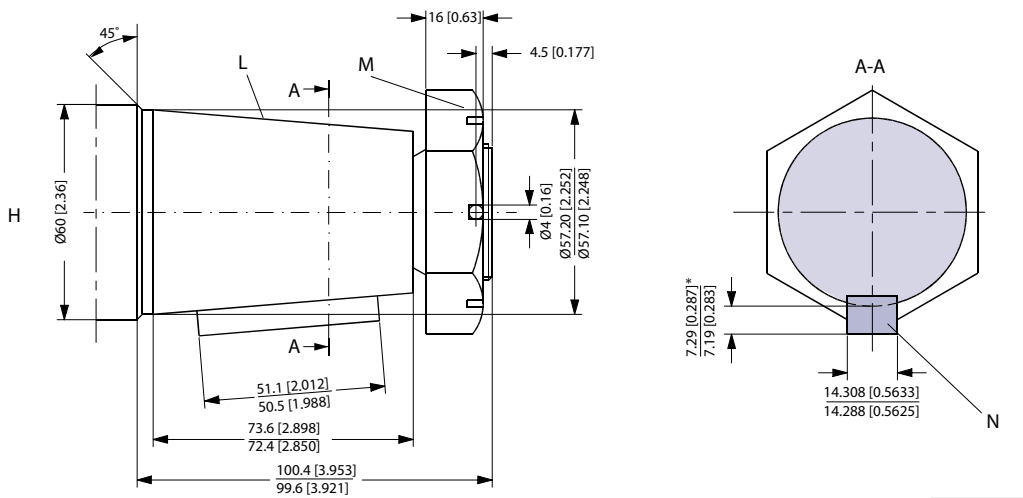
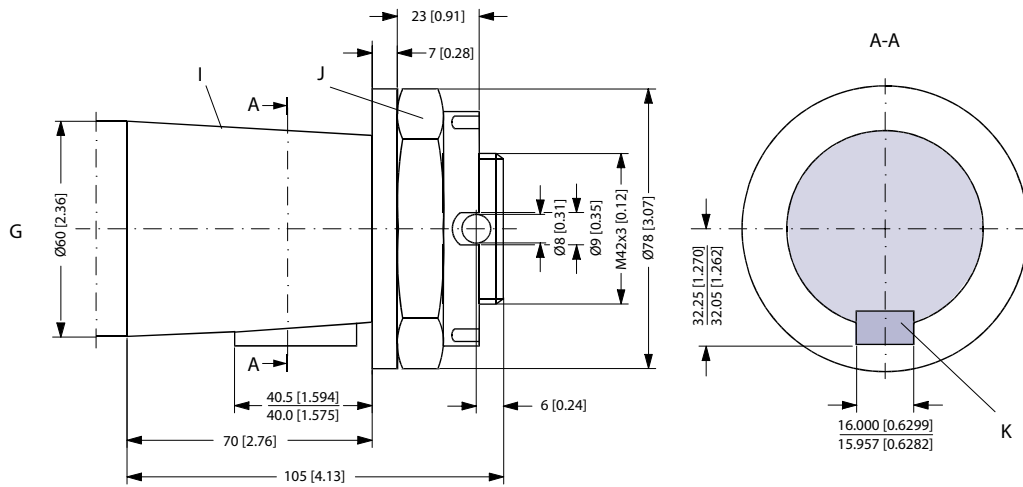
**E US version**  
 Involute splined shaft for OMV with standard mounting flange ANS B92.1 - 1970 standard  
 Flat root side fit  
 Pitch 8/16; Teeth 16  
 Major dia. 2.125 in

**F (US version)**  
 Involute splined shaft for OMV with mounting flange SAE-C ANS B92.1 - 1970 standard  
 Flat root side fit  
 Pitch 8/16; Teeth 16  
 Major dia. 2.125 in

OMV

Pressure angle 30°

Pressure angle 30°



151-1919.10

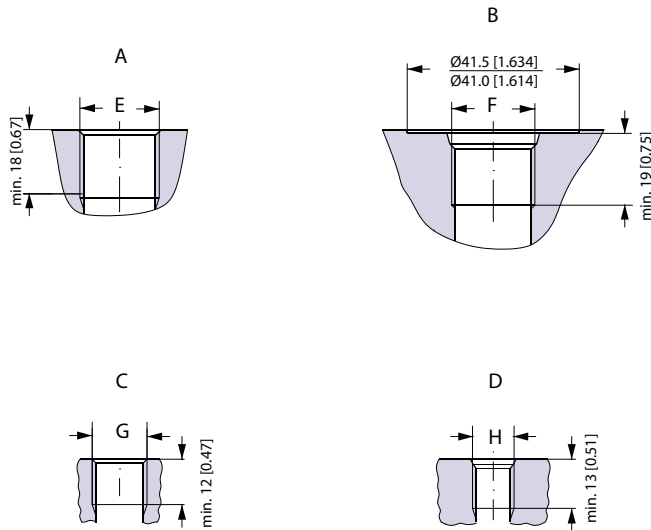
- G** Tapered 60 mm shaft (ISO/R775)
- J** DIN 937  
Across flats: 65 mm  
Tightening torque: 750 ±50 Nm [6640 ±440 lbf-in]
- I** Taper 1:10
- K** Parallel key B16 × 10 × 32  
DIN 6885  
Keyway deviates from standard

- H** Tapered 2.25 in shaft
- L** Cone 1:8  
SAE J501
- M** 11/2 - 18 UNEF  
Across flats: 23/8 in  
Tightening torque: 750 ±50 Nm [6640 ±440 lbf-in]
- N** Parallel key  
9/16 × 9/16 × 2 in  
B.S. 46

OMV

Keyway deviates from standard

Port thread versions



151-1977.11

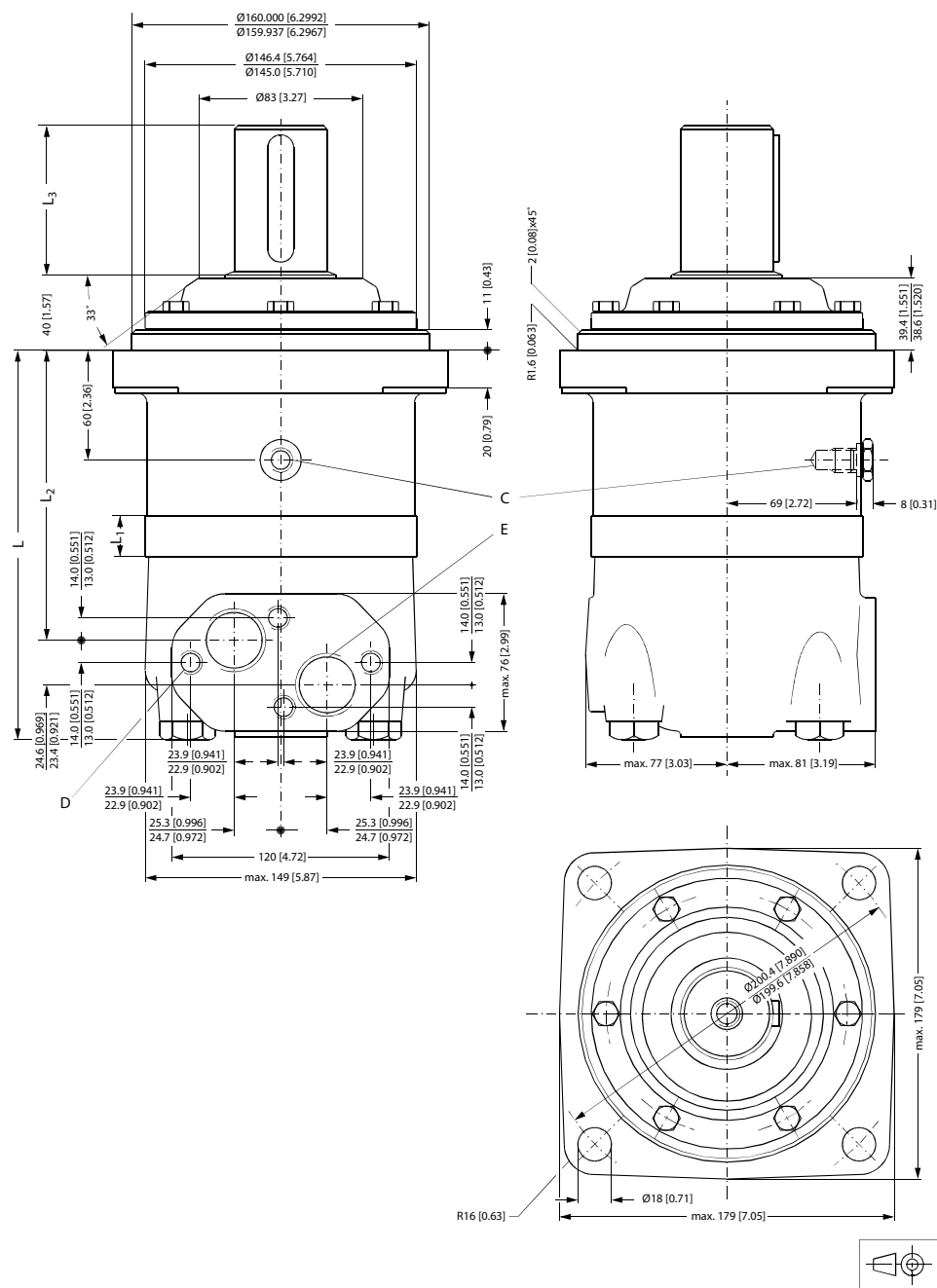
- |          |                                   |          |                |
|----------|-----------------------------------|----------|----------------|
| <b>A</b> | G main ports                      | <b>B</b> | UN main ports  |
| <b>E</b> | ISO 228/1 - G1 O-ring boss port   | <b>F</b> | 1 5/16 - 12 UN |
| <b>C</b> | G drain port                      | <b>D</b> | UNF drain port |
| <b>G</b> | ISO 228/1 - G1/4 O-ring boss port | <b>H</b> | 9/16 - 18 UNF  |



OMV

Dimensions

Standard flange—European version



151-890.11

- C:** Drain connection G 1/4; 12 mm [0.47 in] deep
- D:** M12; 12 mm [0.47 in] deep
- E:** G 1; 18 mm [0.71 in] deep

**OMV**

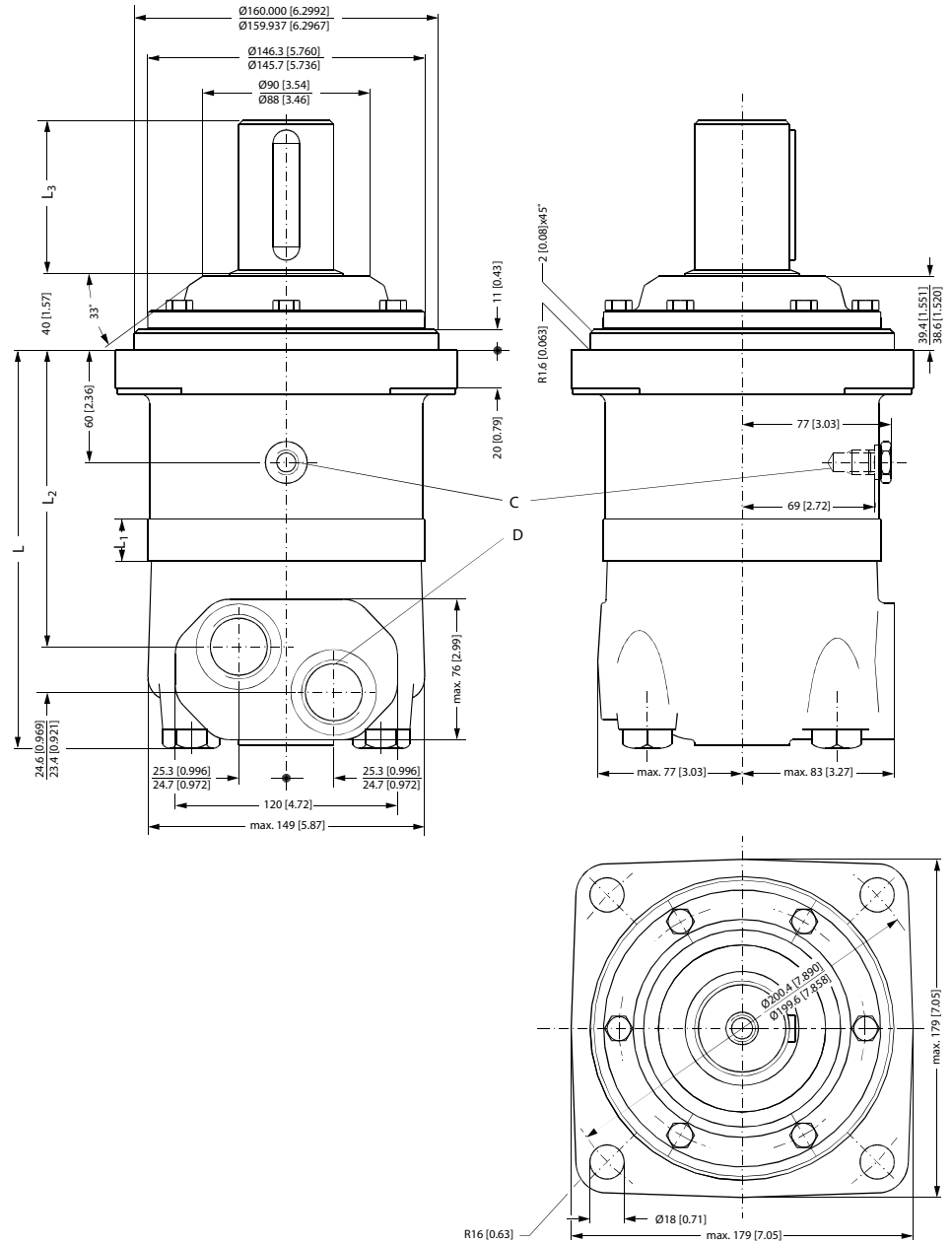
Type	L <sub>max</sub> mm [in]	L <sub>1</sub> * mm [in]	L <sub>2</sub> mm [in]
OMV 315	215 [8.46]	22.0 [0.866]	160 [6.30]
OMV 400	222 [8.74]	29.0 [1.142]	167 [6.57]
OMV 500	230 [9.05]	37.0 [1.457]	175 [6.89]
OMV 630	240 [9.45]	47.5 [1.870]	186 [7.32]
OMV 800	254 [10.00]	61.5 [2.421]	200 [7.87]

\*The gearwheel set is 3.5 mm [0.138 in] wider across the rollers than the L1 dimensions

Output shaft	L <sub>3</sub> mm [in]
Cyl. 50 mm Splined 2.125 in	82 [3.23]
Tapered 60 mm	105 [4.13]

OMV

Standard flange—US version



151-890.11.22

**C:** Drain connection 9/16 - 18 UNF; 13 mm [0.51 in] deep O-ring boss port

**D:** 1 5/16 - 12 UN; 19 mm [0.75 in] deep O-ring boss port

Type	L <sub>max</sub> mm [in]	L <sub>1</sub> *mm [in]	L <sub>2</sub> mm [in]
OMV 315	215 [8.46]	22.0 [0.866]	160 [6.30]
OMV 400	222 [8.74]	29.0 [1.142]	167 [6.57]
OMV 500	230 [9.05]	37.0 [1.457]	175 [6.89]

**OMV**

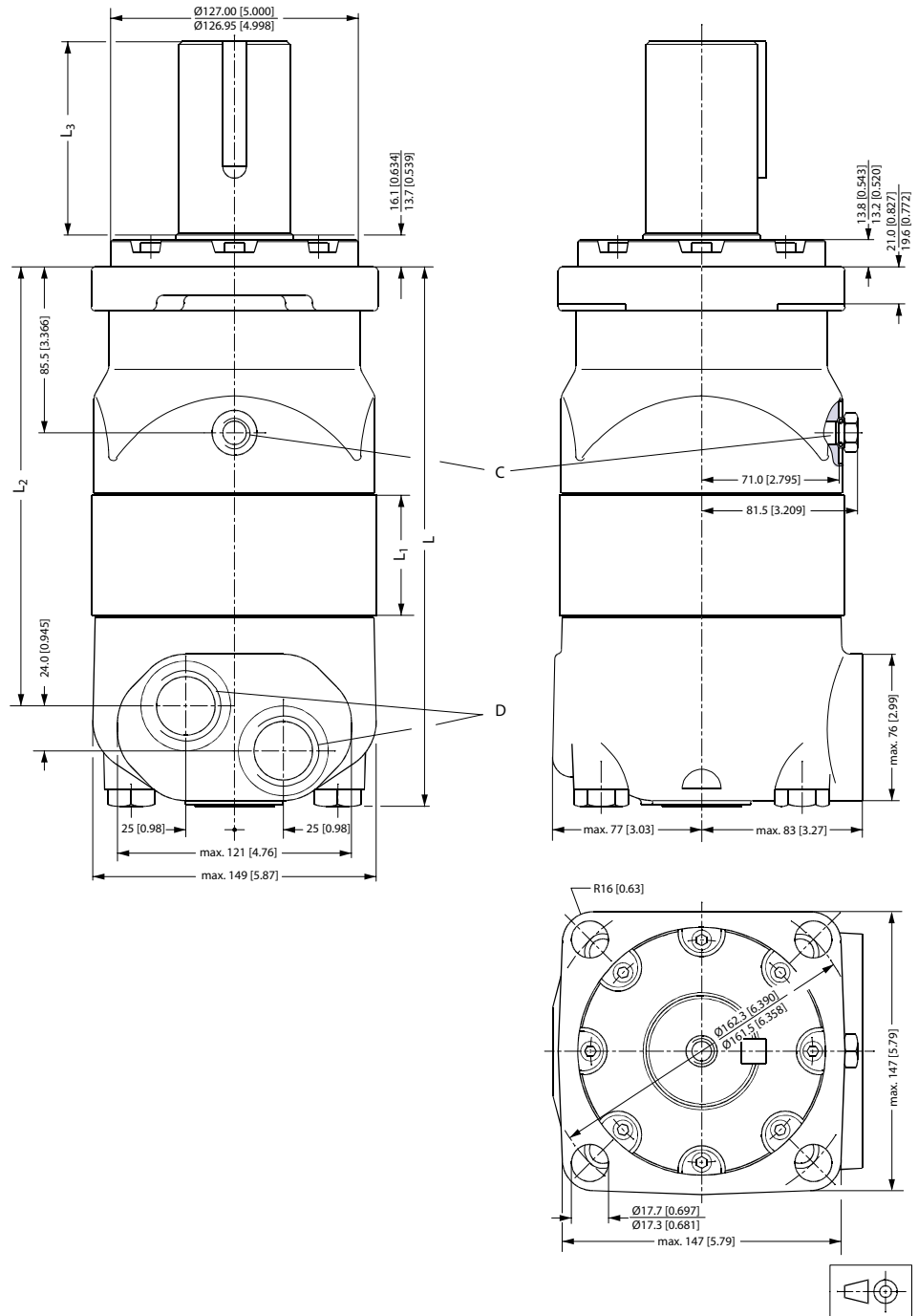
<b>Type</b>	<b>L<sub>max</sub> mm [in]</b>	<b>L<sub>1</sub> *mm [in]</b>	<b>L<sub>2</sub> mm [in]</b>
OMV 630	240 [9.45]	47.5 [1.870]	186 [7.32]
OMV 800	254 [10.00]	61.5 [2.421]	200 [7.87]

\* The gearwheel set is 3.5 mm [0.138 in] wider across the rollers than the L1 dimensions

<b>Output shaft</b>	<b>L<sub>3</sub> mm [in]</b>
Cyl. 2.25 in Splined 2.125 in	82 [3.23]
Tapered 2.25 in	100 [3.94]

OMV

SAE-C flange—US version



151-1485.10

**C:** Drain connection 9/16 - 18 UNF; 13 mm [0.51 in] deep O-ring boss port

**D:** 1 5/16 - 12 UN; 19 mm [0.75 in] deep O-ring boss port

**OMV**

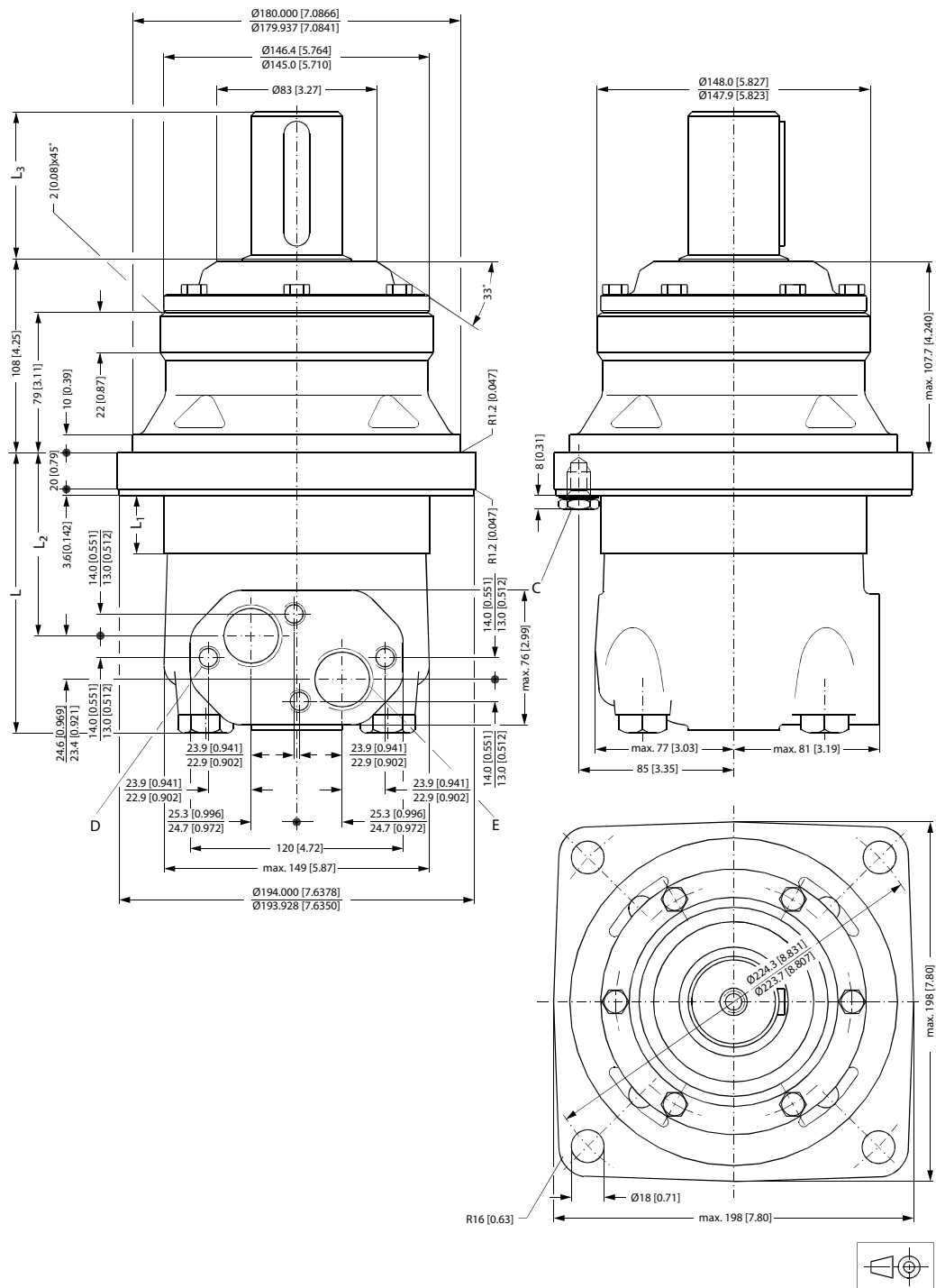
Type	L <sub>max</sub> mm [in]	L <sub>1</sub> *mm [in]	L <sub>2</sub> mm [in]
OMV 315	239 [9.41]	22.0 [0.866]	185 [7.28]
OMV 400	246 [9.69]	29.0 [1.142]	192 [7.56]
OMV 500	254 [10.00]	37.0 [1.457]	200 [7.87]
OMV 630	265 [10.43]	47.5 [1.870]	211 [8.31]
OMV 800	279 [10.98]	61.5 [2.421]	225 [8.86]

\*The gearwheel set is 3.5 mm [0.138 in] wider across the rollers than the L1 dimensions

Output shaft	L <sub>3</sub> mm [in]
Cyl. 2.25 in	99 [3.90]
Splined 2.125 in	76.7 [3.02]

OMV

Wheel—European version



151-899.11

**C:** Drain connection G 1/4; 12 mm [0.47 in] deep

**D:** M12; 12 mm [0.47 in] deep

**E:** G 1; 18 mm [0.71 in] deep

**OMV**

Type	L <sub>max</sub> mm [in]	L <sub>1</sub> *mm [in]	L <sub>2</sub> mm [in]
OMVW 315	146 [5.75]	22.0 [0.866]	92 [3.62]
OMVW 400	153 [6.02]	29.0 [1.142]	99 [3.90]
OMVW 500	161 [6.34]	37.0 [1.457]	107 [4.21]
OMVW 630	172 [6.77]	47.5 [1.870]	118 [4.65]
OMVW 800	185 [7.28]	61.5 [2.421]	132 [5.20]

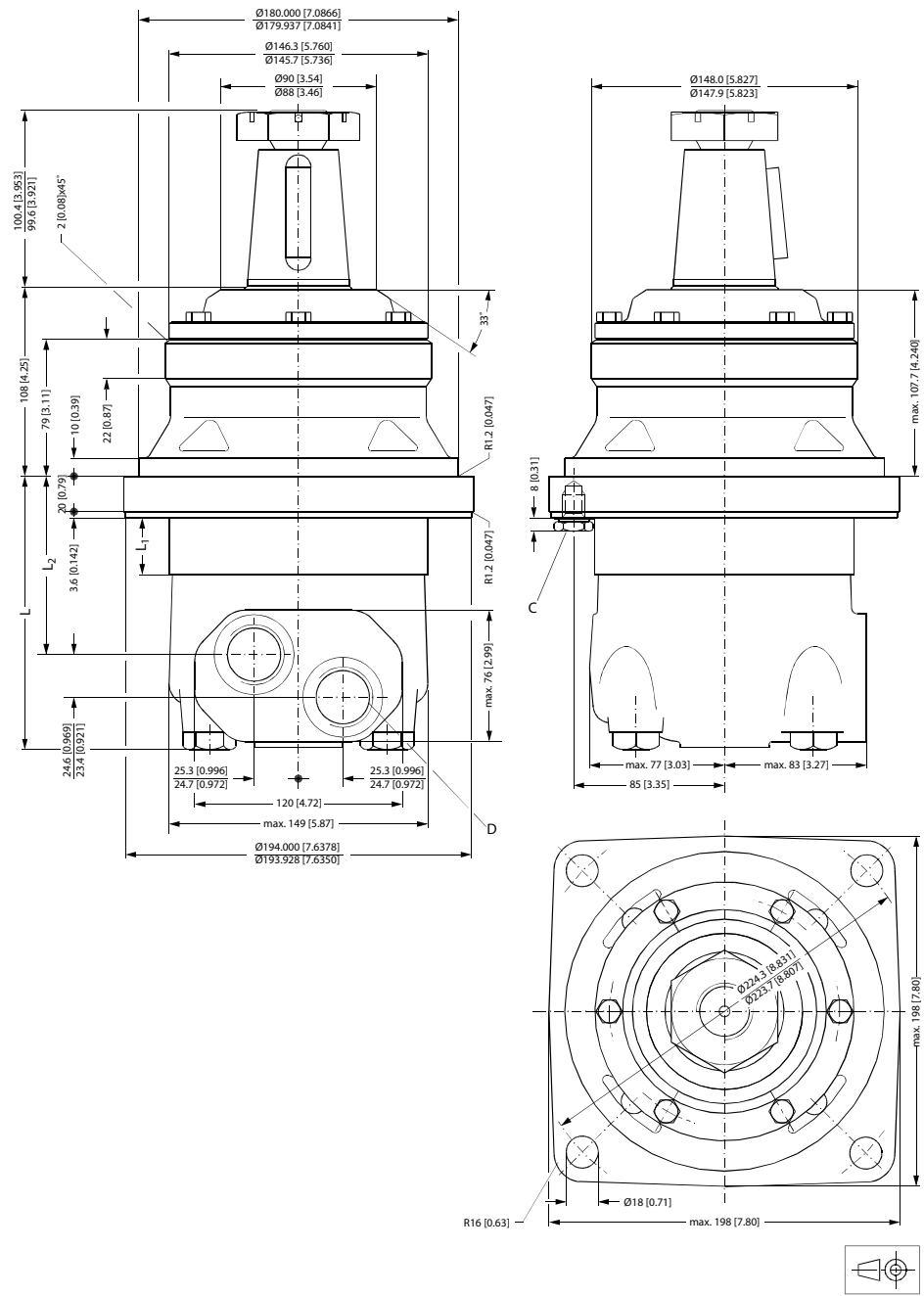
\*The gearwheel set is 3.5 mm [0.138 in] wider across the rollers than the L1 dimensions

Output shaft	L <sub>3</sub> mm [in]
Cyl. 50 mm	82 [3.23]
Tapered 60 mm	105 [4.13]



**OMV**

**Wheel—US version**



151-899.11.22

**C:** Drain connection 9/16 - 18 UNF; 13 mm [0.51 in] deep O-ring boss port

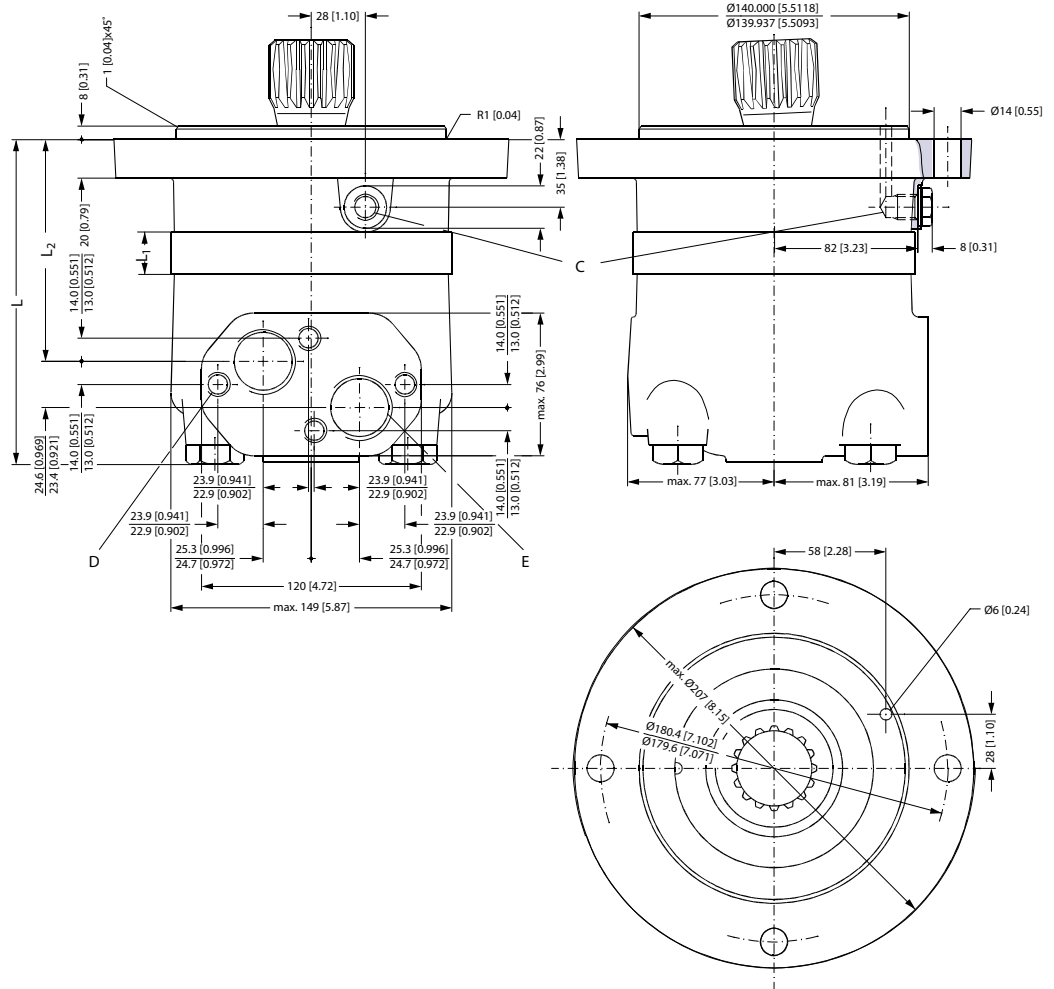
**D:** 1 5/16 - 12 UN; 19 mm [0.75 in] deep O-ring boss port

Type	L <sub>max</sub> mm [in]	L <sub>1</sub> * mm [in]	L <sub>2</sub> mm [in]
OMVW 315	147 [5.79]	22.0 [0.866]	92 [3.62]
OMVW 400	154 [6.06]	29.0 [1.142]	99 [3.90]
OMVW 500	162 [6.38]	37.0 [1.457]	107 [4.21]

**OMV**

Type	L <sub>max</sub> mm [in]	L <sub>1</sub> * mm [in]	L <sub>2</sub> mm [in]
OMVW 630	172 [6.77]	47.5 [1.870]	118 [4.65]
OMVW 800	187 [7.36]	61.5 [2.421]	132 [5.20]

\* The gearwheel set is 3.5 mm [0.138 in] wider across the rollers than the L<sub>1</sub> dimensions

**Short—European version**


151-900.10

**C:** Drain connection G 1/4; 12 mm [0.47 in] deep

**D:** M12; 12 mm [0.47 in] deep

**E:** G 1; 18 mm [0.71 in] deep

Type	L <sub>max</sub> mm [in]	L <sub>1</sub> * mm [in]	L <sub>2</sub> mm [in]
OMVS 315	171 [6.73]	22.0 [0.866]	117 [4.61]
OMVS 400	179 [7.05]	29.0 [1.142]	124 [4.88]
OMVS 500	186 [7.32]	37.0 [1.457]	132 [5.20]

**OMV**

Type	L <sub>max</sub> mm [in]	L <sub>1</sub> * mm [in]	L <sub>2</sub> mm [in]
OMVS 630	197 [7.76]	47.5 [1.870]	143 [5.63]
OMVS 800	211 [8.31]	61.5 [2.421]	157 [6.18]

\* The gearwheel set is 3.5 mm [0.138 in] wider across the rollers than the L<sub>1</sub> dimensions

**OMVS**
**Installation**

The cardan shaft of the OMVS motor acts as an "output shaft". Because of the movement of the shaft, no seal can be fitted at the shaft output.

Internal oil leakage from the motor will therefore flow into the attached component.

During start and operation it is important that the spline connection and the bearings in the attached component receive oil and are adequately lubricated. To ensure that the spline connection receives sufficient oil, a conical sealing ring between the shaft of the attached component and the motor intermediate plate is recommended. This method is used in the OMV.

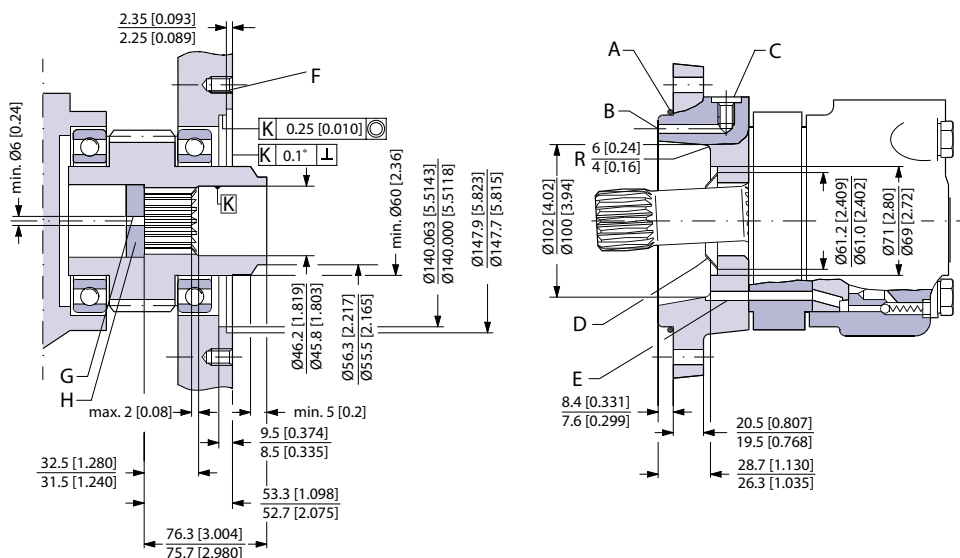
The conical sealing ring (code. no. 633B9021) is supplied with the motor.

To ensure that oil runs to the bearings and other parts of the attached component, the stop plate must have a hole in it (see fig. below).

We recommend an O-ring between motor and attached component. The O-ring (code no. 151B1041) is supplied with the motor. If motor and attached component have been separated, remember to refill before starting up. Fill the oil through the drain connection.

**Attached component dimensions**

OMVS dimensions of the attached component in millimeter [inches]



151-815.10

- A** O-ring: 140 × 3 mm
- B** External drain channel
- C** Drain connection G 1/4; 12 mm [0.47 in] deep
- E** Internal drain channel
- F** M12; minimum 18 mm [0.71 in] deep
- G** Oil circulation hole

**OMV**
**D** Conical seal ring

**H** Hardened stop plate

**Attached component internal splines**

The attached component must have internal splines corresponding to the external splines on the motor cardan shaft (see the following drawing).

**Material:**

Case hardening steel with a tensile strength corresponding at least to 20 MoCr4 (900 N/mm<sup>2</sup>) or SAE 8620.

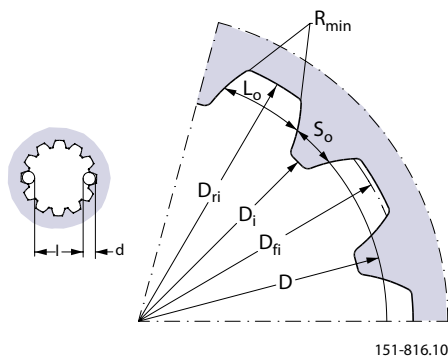
**Hardening specification:**

- On the surface: HV = 750 ± 50
- 0.7 ± 0.2 mm under the surface: HV = 560

*Internal involute spline data; Standard ANS B92.1-1970, class 5 (corrected  $m \cdot X = 1$ ;  $m = 2.54$ )*

Flat root side fit		mm	in
Number of teeth	z	16	16
Pitch	DP	10/20	10/20
Pressure angle		30°	30°
Pitch diameter	D	40.640	1.6
Major diameter	D <sub>fi</sub>	45.2 <sup>+0.4</sup>	1.780 <sup>+0.016</sup>
Form diameter (minimum)	D <sub>fi</sub>	44.6	1.756
Minor diameter	D <sub>i</sub>	38.5 <sup>+0.039</sup>	1.516 <sup>+0.0015</sup>
Space width (circular)	L <sub>o</sub>	5.180 <sup>±0.037</sup>	0.204 <sup>±0.0015</sup>
Tooth thickness (circular)	S <sub>o</sub>	2.835	0.1116
Fillet radius	R <sub>min.</sub>	0.4	0.015
Maximum measurement between pins*	l	32.47 <sup>+0.15</sup>	1.278 <sup>+0.006</sup>
Pin diameter	d	5.6 <sup>±0.001</sup>	0.22 <sup>±0.00004</sup>

\* Finished dimensions (when hardened)



**OMV****Motor or attached component drain connection**

Use the drain line when pressure in the return line exceeds the permissible pressure on the shaft seal of the attached component.

**Connect the drain line either at the:**

- Motor drain connection
- Drain connection of the attached component

If a drain line is fitted to the attached component, it must be possible for oil to flow freely between motor and attached component.

The drain line must be led to the tank in such a way that there is no risk of the motor and attached component being drained of oil when at rest.

The maximum pressure in the drain line is limited by the attached component and its shaft seal.

**Weight of motors**
**Code number and weight**
*Code number and weight of motors*

Code no	Weight	
	kg	[lb]
151B2050	20.0	44.1
151B2051	20.5	45.2
151B2052	21.0	46.3
151B2053	22.0	48.5
151B2054	23.0	50.7
151B2055	24.0	52.9
151B2056	20.0	44.1
151B2057	20.5	45.2
151B2058	21.0	46.3
151B2059	22.0	48.5
151B2060	23.0	50.7
151B2061	24.0	52.9
151B2062	20.0	44.1
151B2063	20.5	45.2
151B2064	21.0	46.3
151B2065	22.0	48.5
151B2066	23.0	50.7
151B2067	24.0	52.9
151B2080	22.0	48.5
151B2081	22.5	49.6
151B2082	23.0	50.7
151B2083	24.0	52.9
151B2084	25.0	55.1
151B2085	26.0	57.3
151B2150	31.8	70.1
151B2151	32.6	71.9
151B2152	33.5	73.9
151B2153	34.9	76.9
151B2154	36.5	80.5
151B2155	31.8	70.1
151B2156	32.6	71.9
151B2157	33.5	73.9
151B2158	34.9	76.9
151B2159	36.5	80.5
151B2160	31.8	70.1
151B2161	32.6	71.9
151B2162	33.5	73.9
151B2163	34.9	76.9

**Weight of motors**
*Code number and weight of motors (continued)*

Code no	Weight	
	kg	[lb]
151B2164	36.5	80.5
151B2170	32.4	71.4
151B2171	33.2	73.2
151B2172	34.1	75.2
151B2173	35.5	78.3
151B2174	37.1	81.8
151B2183	30.0	66.2
151B2184	30.8	67.9
151B2185	31.7	69.9
151B2186	33.1	73.0
151B2187	34.7	76.5
151B2188	30.0	66.2
151B2189	30.8	67.9
151B2190	31.7	69.9
151B2191	33.1	73.0
151B2192	34.7	76.5
151B3000	20.0	44.1
151B3001	20.5	45.2
151B3002	21.0	46.3
151B3003	22.0	48.5
151B3004	23.0	50.7
151B3005	24.0	52.9
151B3006	20.0	44.1
151B3007	20.5	45.2
151B3008	21.0	46.3
151B3009	22.0	48.5
151B3010	23.0	50.7
151B3011	24.0	52.9
151B3012	20.0	44.1
151B3013	20.5	45.2
151B3014	21.0	46.3
151B3015	22.0	48.5
151B3016	23.0	50.7
151B3017	24.0	52.9
151B3018	20.0	44.1
151B3019	20.5	45.2
151B3020	21.0	46.3
151B3021	22.0	48.5
151B3022	23.0	50.7
151B3023	24.0	52.9

**Weight of motors**
*Code number and weight of motors (continued)*

Code no	Weight	
	kg	[lb]
151B3024	22.0	48.5
151B3025	22.5	49.6
151B3026	23.0	50.7
151B3027	24.0	52.9
151B3028	25.0	55.1
151B3029	26.0	57.3
151B3030	22.0	48.5
151B3031	22.5	49.6
151B3032	23.0	50.7
151B3033	24.0	52.9
151B3034	25.0	55.1
151B3035	26.0	57.3
151B3036	15.0	33.1
151B3037	15.5	34.2
151B3038	16.0	35.3
151B3039	17.0	37.5
151B3040	18.0	39.7
151B3041	19.0	41.9
151B3100	31.8	70.1
151B3101	32.6	71.9
151B3102	33.5	73.9
151B3103	34.9	76.9
151B3104	36.5	80.5
151B3105	31.8	70.1
151B3106	32.6	71.9
151B3107	33.5	73.9
151B3108	34.9	76.9
151B3109	36.5	80.5
151B3110	31.8	70.1
151B3111	32.6	71.9
151B3112	33.5	73.9
151B3113	34.9	76.9
151B3114	36.5	80.5
151B3115	32.4	71.4
151B3116	33.2	73.2
151B3117	34.1	75.2
151B3118	35.5	78.3
151B3119	37.1	81.8
151B3120	32.4	71.4
151B3121	33.2	73.2



**Weight of motors**
*Code number and weight of motors (continued)*

Code no	Weight	
	kg	[lb]
151B3122	34.1	75.2
151B3123	35.5	78.3
151B3124	37.1	81.8
151B3125	22.7	50.1
151B3126	23.5	51.8
151B3127	24.4	53.8
151B3128	25.6	56.4
151B3129	27.7	61.1
151B3200	31.0	68.3
151B3201	31.5	69.4
151B3202	32.0	70.5
151B3203	33.0	72.8
151B3204	34.0	75.0
151B3205	35.0	77.2
151B3207	31.0	68.3
151B3208	31.5	69.4
151B3209	32.0	70.5
151B3210	33.0	72.8
151B3211	34.0	75.0
151B3212	35.0	77.2
151B4000	24.5	54.0
151B4001	25.0	55.1
151B4002	25.5	56.2
151B4003	26.5	58.4
151B4004	27.5	60.6
151B4005	28.5	62.8
151B4007	24.5	54.0
151B4008	25.0	55.1
151B4009	25.5	56.2
151B4010	26.5	58.4
151B4011	27.5	60.6
151B4012	28.5	62.8
151B4021	24.5	54.0
151B4022	25.0	55.1
151B4023	25.5	56.2
151B4024	26.5	58.4
151B4025	27.5	60.6
151B4026	28.5	62.8
151B4028	24.5	54.0
151B4029	25.0	55.1

**Weight of motors**
*Code number and weight of motors (continued)*

Code no	Weight	
	kg	[lb]
151B4030	25.5	56.2
151B4031	26.5	58.4
151B4032	27.5	60.6
151B4033	28.5	62.8
151F0500	9.8	21.6
151F0501	10.0	22.1
151F0502	10.3	22.7
151F0503	10.7	23.6
151F0504	11.1	24.5
151F0505	11.6	25.6
151F0506	12.3	27.1
151F0507	9.8	21.6
151F0508	10.0	22.1
151F0509	10.3	22.7
151F0510	10.7	23.6
151F0511	11.1	24.5
151F0512	11.6	25.6
151F0513	12.3	27.1
151F0514	9.8	21.6
151F0515	10.0	22.1
151F0516	10.3	22.7
151F0517	10.7	23.6
151F0518	11.1	24.5
151F0519	11.6	25.6
151F0520	12.3	27.1
151F0521	10.3	22.7
151F0522	10.5	23.1
151F0523	10.8	23.8
151F0524	11.2	24.7
151F0525	11.6	25.6
151F0526	12.1	26.7
151F0527	12.8	28.2
151F0528	10.3	22.7
151F0529	10.5	23.1
151F0530	10.8	23.8
151F0531	11.2	24.7
151F0532	11.6	25.6
151F0533	12.1	26.7
151F0534	12.8	28.2
151F0535	7.8	17.2

**Weight of motors**
*Code number and weight of motors (continued)*

Code no	Weight	
	kg	[lb]
151F0536	8.0	17.6
151F0537	8.3	18.3
151F0538	8.7	19.2
151F0539	9.1	20.1
151F0540	9.6	21.2
151F0541	10.3	22.7
151F0542	10.2	22.5
151F0543	10.4	22.9
151F0544	10.7	23.6
151F0545	11.1	24.5
151F0546	11.5	25.4
151F0547	12.0	26.5
151F0548	12.7	28.0
151F0560	9.8	21.6
151F0561	10.0	22.1
151F0562	10.3	22.7
151F0563	10.7	23.6
151F0564	11.1	24.5
151F0565	11.6	25.6
151F0566	12.3	27.1
151F0605	13.1	28.9
151F0608	11.1	24.5
151F0609	13.6	30.0
151F0610	13.6	30.0
151F2200	9.8	21.6
151F2201	10.0	22.1
151F2202	10.3	22.7
151F2203	10.7	23.6
151F2204	11.1	24.5
151F2205	11.6	25.6
151F2206	12.3	27.1
151F2207	9.8	21.6
151F2208	10.0	22.1
151F2209	10.3	22.7
151F2210	10.7	23.6
151F2211	11.1	24.5
151F2212	11.6	25.6
151F2213	12.3	27.1
151F2214	9.8	21.6
151F2215	10.0	22.1

**Weight of motors**
*Code number and weight of motors (continued)*

Code no	Weight	
	kg	[lb]
151F2216	10.3	22.7
151F2217	10.7	23.6
151F2218	11.1	24.5
151F2219	11.6	25.6
151F2220	12.3	27.1
151F2235	10.3	22.7
151F2236	10.5	23.1
151F2237	10.8	23.8
151F2238	11.2	24.7
151F2239	11.6	25.6
151F2240	12.1	26.7
151F2241	12.8	28.2
151F2242	10.3	22.7
151F2243	10.5	23.1
151F2244	10.8	23.8
151F2245	11.2	24.7
151F2246	11.6	25.6
151F2247	12.1	26.7
151F2248	12.8	28.2
151F2261	13.1	28.9
151F2262	13.1	28.9
151F2263	13.6	30.0
151F2264	13.1	28.9
151F2265	13.6	30.0
151F2300	9.8	21.6
151F2301	10.0	22.1
151F2302	10.3	22.7
151F2303	10.7	23.6
151F2304	11.1	24.5
151F2305	11.6	25.6
151F2306	12.3	27.1
151F2307	13.1	28.9
151F2308	9.8	21.6
151F2309	10.0	22.1
151F2310	10.3	22.7
151F2311	10.7	23.6
151F2312	11.1	24.5
151F2313	11.6	25.6
151F2314	12.3	27.1
151F2315	13.1	28.9

**Weight of motors**
*Code number and weight of motors (continued)*

Code no	Weight	
	kg	[lb]
151F2316	9.8	21.6
151F2317	10.0	22.1
151F2318	10.3	22.7
151F2319	10.7	23.6
151F2320	11.1	24.5
151F2321	11.6	25.6
151F2322	12.3	27.1
151F2323	13.1	28.9
151F2324	9.8	21.6
151F2325	10.0	22.1
151F2326	10.3	22.7
151F2327	10.7	23.6
151F2328	11.1	24.5
151F2329	11.6	25.6
151F2330	12.3	27.1
151F2331	13.1	28.9
151F2332	9.8	21.6
151F2333	10.0	22.1
151F2334	10.3	22.7
151F2335	10.7	23.6
151F2336	11.1	24.5
151F2337	11.6	25.6
151F2338	12.3	27.1
151F2339	13.1	28.9
151F2345	14.0	30.9
151F2346	14.0	30.9
151F2347	14.0	30.9
151F2348	14.0	30.9
151F2349	14.0	30.9
151F2350	9.8	21.6
151F2351	10.0	22.1
151F2352	10.3	22.7
151F2353	10.7	23.6
151F2354	11.1	24.5
151F2355	11.6	25.6
151F2356	12.3	27.1
151F2357	13.1	28.9
151F2358	14.0	30.9
151F2359	9.8	21.6
151F2360	10.0	22.1

**Weight of motors**
*Code number and weight of motors (continued)*

Code no	Weight	
	kg	[lb]
151F2361	10.3	22.7
151F2362	10.7	23.6
151F2363	11.1	24.5
151F2364	11.6	25.6
151F2365	12.3	27.1
151F2366	13.1	28.9
151F2367	14.0	30.9
151F2368	9.8	21.6
151F2369	10.0	22.1
151F2370	10.3	22.7
151F2371	10.7	23.6
151F2372	11.1	24.5
151F2373	11.6	25.6
151F2374	12.3	27.1
151F2375	13.1	28.9
151F2376	14.0	30.9
151F2395	9.8	21.6
151F2396	10.0	22.1
151F2397	10.3	22.7
151F2398	10.7	23.6
151F2399	11.1	24.5
151F2400	11.6	25.6
151F2401	12.3	27.1
151F2402	13.1	28.9
151F2403	14.0	30.9
151F2413	9.8	21.6
151F2414	10.0	22.1
151F2415	10.3	22.7
151F2416	10.7	23.6
151F2417	11.1	24.5





**Products we offer:**

- Bent Axis Motors
- Closed Circuit Axial Piston Pumps and Motors
- Displays
- Electrohydraulic Power Steering
- Electrohydraulics
- Hydraulic Power Steering
- Integrated Systems
- Joysticks and Control Handles
- Microcontrollers and Software
- Open Circuit Axial Piston Pumps
- Orbital Motors
- PLUS+1® GUIDE
- Proportional Valves
- Sensors
- Steering
- Transit Mixer Drives

**Danfoss Power Solutions** is a global manufacturer and supplier of high-quality hydraulic and electronic components. We specialize in providing state-of-the-art technology and solutions that excel in the harsh operating conditions of the mobile off-highway market. Building on our extensive applications expertise, we work closely with our customers to ensure exceptional performance for a broad range of off-highway vehicles.

We help OEMs around the world speed up system development, reduce costs and bring vehicles to market faster.

Danfoss – Your Strongest Partner in Mobile Hydraulics.

**Go to [www.powersolutions.danfoss.com](http://www.powersolutions.danfoss.com) for further product information.**

Wherever off-highway vehicles are at work, so is Danfoss. We offer expert worldwide support for our customers, ensuring the best possible solutions for outstanding performance. And with an extensive network of Global Service Partners, we also provide comprehensive global service for all of our components.

Please contact the Danfoss Power Solution representative nearest you.

**Comatrol**

[www.comatrol.com](http://www.comatrol.com)

**Schwarzmueller-Inverter**

[www.schwarzmueller-inverter.com](http://www.schwarzmueller-inverter.com)

**Turolla**

[www.turollaocg.com](http://www.turollaocg.com)

**Hydro-Gear**

[www.hydro-gear.com](http://www.hydro-gear.com)

**Daikin-Sauer-Danfoss**

[www.daikin-sauer-danfoss.com](http://www.daikin-sauer-danfoss.com)

Local address:

**Danfoss Power Solutions (US) Company**  
2800 East 13th Street  
Ames, IA 50010, USA  
Phone: +1 515 239 6000

**Danfoss Power Solutions GmbH & Co. OHG**  
Krokamp 35  
D-24539 Neumünster, Germany  
Phone: +49 4321 871 0

**Danfoss Power Solutions ApS**  
Nordborgvej 81  
DK-6430 Nordborg, Denmark  
Phone: +45 7488 2222

**Danfoss Power Solutions Trading (Shanghai) Co., Ltd.**  
Building #22, No. 1000 Jin Hai Rd  
Jin Qiao, Pudong New District  
Shanghai, China 201206  
Phone: +86 21 3418 5200

Danfoss can accept no responsibility for possible errors in catalogues, brochures and other printed material. Danfoss reserves the right to alter its products without notice. This also applies to products already on order provided that such alterations can be made without changes being necessary in specifications already agreed. All trademarks in this material are property of the respective companies. Danfoss and the Danfoss logotype are trademarks of Danfoss A/S. All rights reserved.