



Technical Information
Orbital Motor
OMSU Series 3



Revision history*Table of revisions*

Date	Changed	Rev
July 2014	Changed to Danfoss layout	BA
February 2013	Drawing dimension updated	AB
September 2012	First edition	AA

Contents**A wide range of Orbital Motors**

Characteristic, features and application areas of Orbital Motors.....	4
Characteristic features of Danfoss Orbital Motors.....	4
Technical features of Danfoss Orbital Motor.....	4
Survey of literature with technical data on Danfoss Orbital Motors.....	5

Code numbers

OMSU Series 3 code numbers.....	6
---------------------------------	---

Dimensions

OMSU dimensions.....	8
----------------------	---

Connection dimensions, attached component**Internal spline data for the component to be attached**

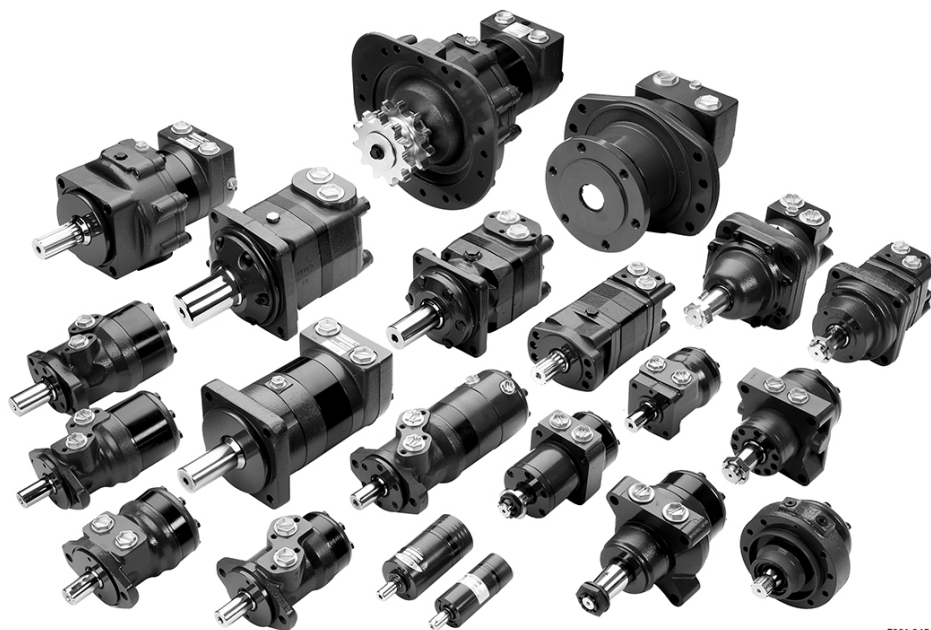
Material:	10
Hardening specification:	10

General data

Drain connection on OMSU or attached component	11
Installing OMSU.....	11
Mounting.....	11
Direction of rotation.....	12
Maximum tightening torque	12
Checking OMSU.....	12
Exploded view OMSU.....	13
OMSU spare parts list	14

A wide range of Orbital Motors

Characteristic, features and application areas of Orbital Motors



Danfoss is a world leader within production of low speed orbital motors with high torque. We can offer more than 3,000 different orbital motors, categorised in types, variants and sizes (including different shaft versions).

The motors vary in size (rated displacement) from 8 cm³ [0.50 in³] to 800 cm³ [48.9 in³] per revolution.

Speeds range up to approximate 2,500 min⁻¹ (rpm) for the smallest type and up to approximate 600 min⁻¹ (rpm) for the largest type.

Maximum operating torques vary from 13 N·m [115 lbf·in] to 2700 N·m [24.000 lbf·in] (peak) and maximum outputs are from 2.0 kW [2.7 hp] to 70 kW [95 hp].

Characteristic features of Danfoss Orbital Motors

- Smooth running over the entire speed range
- Constant operating torque over a wide speed range
- High starting torque
- High return pressure without the use of drain line (High pressure shaft seal)
- High efficiency
- Long life under extreme operating conditions
- Robust and compact design
- High radial and axial bearing capacity
- For applications in both open and closed loop hydraulic systems
- Suitable for a wide variety of hydraulics fluids

Technical features of Danfoss Orbital Motor

The programme is characterised by technical features appealing to a large number of applications and a part of the programme is characterised by motors that can be adapted to a given application. Adaptions comprise the following variants among others:

A wide range of Orbital Motors

- Motors with corrosion resistant parts
- Wheel motors with recessed mounting flange
- OMP, OMR- motors with needle bearing
- OMR motor in low leakage version
- OMR motors in a super low leakage version
- Short motors without bearings
- Ultra short motors
- Motors with integrated positive holding brake
- Motors with integrated negative holding brake
- Motors with integrated flushing valve
- Motors with speed sensor
- Motors with tacho connection
- All motors are available with black finish paint

Survey of literature with technical data on Danfoss Orbital Motors

Detailed data on all Danfoss Orbital Motors can be found in our motor catalogue, which is divided into more individual subcatalogues:

- General information on Danfoss Orbital Motors: function, use, selection of orbital motor, hydraulic systems, etc.
- Technical data on small motors: OML and OMM
- Technical data on medium sized motors: OMP, OMR, OMH
- Technical data on medium sized motors: DH and DS
- Technical data on medium sized motors: OMEW
- Technical data on medium sized motors: VMP
- Technical data on medium sized motors: VMR
- Technical data on large motors: OMS, OMT and OMV
- Technical data on large motors: TMT
- Technical data on large motors: TMV

A general survey brochure on Danfoss Orbital Motors gives a quick motor reference based on power, torque, speed and capabilities.

Technical Information OMSU Series 3 Orbital Motor
Code numbers
OMSU Series 3 code numbers
Ultra-short motor

Without output shaft	OMSU 80	OMSU 100	OMSU 125	OMSU 160	OMSU 200	OMSU 250	OMSU 315	OMSU 400
	151F0578	151F0579	151F0580	151F0581	151F0582	151F0583	(*)	(*)

(*) Please contact the Danfoss sales Organization for the code numbers of these motors.

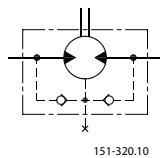
Technical data

Motor size			OMSU 80	OMSU 100	OMSU 125	OMSU 160	OMSU 200	OMSU 250	OMSU 315	OMSU 400
Geometrical displacement	cm ³		80.5	100	125.7	159.7	200	250	314.9	393
Max. speed	min ⁻¹	cont.	810	750	600	470	375	300	240	190
		int. ⁽¹⁾	1000	900	720	560	450	360	285	230
Max. torque	daNm	cont.	20	25	32	36	46	50	63	67
		int. ⁽¹⁾	24	30	38	48	60	63	79	79
		peak ⁽²⁾	26	32	40	51	65	72	90	98
Max. output	kW	cont.	16	17.5	17.5	16	14	12.5	11.5	10.5
		int. ⁽¹⁾	19	21	21	21	17.5	15	13.5	12.5
Max. pressure drop	bar	cont.	175	175	175	160	160	140	140	120
		int. ⁽¹⁾	210	210	210	210	210	175	175	140
		peak ⁽²⁾	225	225	225	225	225	200	200	175
Max. oil flow	l/min	cont.	65	75	75	75	75	75	75	75
		int. ⁽¹⁾	80	90	90	90	90	90	90	90
Max. starting pressure with unloaded shaft	bar		12	10	10	8	8	8	8	8
Min. starting torque	daNm	at max pressure cont.	15.5	19.5	24.5	28.5	35.5	39	49	53
		At max. pressure int. ⁽¹⁾	19	23.5	30	37.5	47	49	61	61
Min. speed ⁽³⁾	min ⁻¹		10	10	8	8	6	6	5	5
Max. Inlet pressure	bar	cont.	210	210	210	210	210	210	210	210
		Int. ⁽¹⁾	250	250	250	250	250	250	250	250
		peak ⁽²⁾	300	300	300	300	300	300	300	300
Max. return pressure with drain line	bar	cont.	140	140	140	140	140	140	140	140
		Int. ⁽¹⁾	175	175	175	175	175	175	175	175
		peak ⁽²⁾	210	210	210	210	210	210	210	210

⁽¹⁾ Intermittent operation: permissible values may occur for max. 10% of every minute.

⁽²⁾ Peak load: permissible values may occur for max. 1% of every minute.

⁽³⁾ At speeds lower than those given, the motor cannot be expected to run evenly.

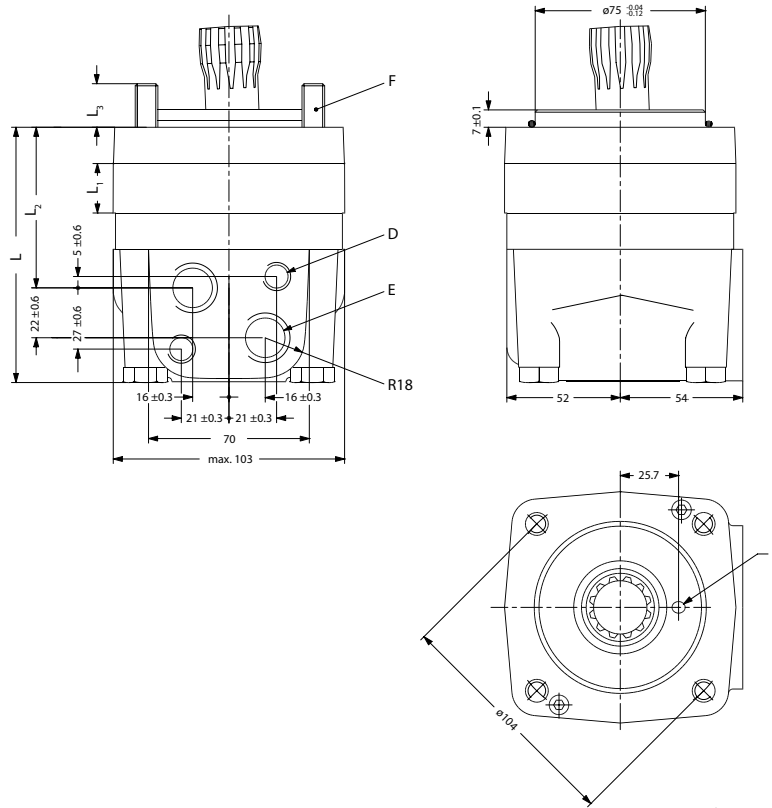
Code numbers

OMSU motors have built-in check valves.

⁽⁴⁾ If no drain line is fitted, the built-in check valves ensure that the case pressure is equal to the pressure in the return line. The max. case pressure for OMSU is dictated by the technical data of the component to be attached.

Dimensions

OMSU dimensions



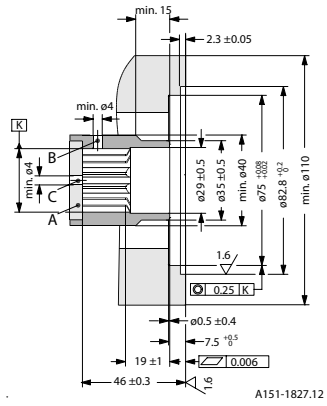
A151-1826.11

- C:** Drain hole $\phi 5 +0.2 -0.1$
- D:** M10; 11 mm deep
- E:** G 1/2; 15 mm deep

	L_{max}	L_1	L_2	L_3
OMSU 80	105	14.0	63	22.0
OMSU 100	109	17.4	67	18.6
OMSU 125	113	21.8	71	14.2
OMSU 160	119	27.8	77	18.2
OMSU 200	126	34.8	84	21.2
OMSU 250	135	43.5	93	22.5

Technical Information OMSU Series 3 Orbital Motor

Connection dimensions, attached component



- A:** Hardened stop plate
- B or C:** oil circulation holes

Internal spline data for the component to be attached

The attached component must have internal splines corresponding to the external splines on the motor cardan shaft (see drawing below).

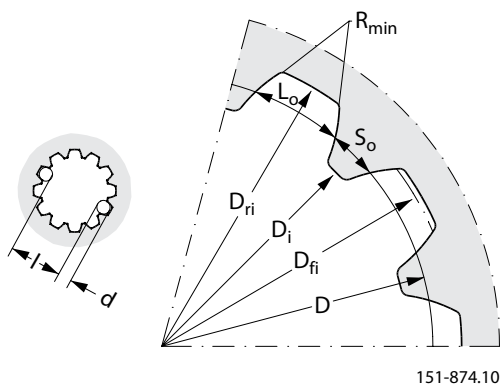
Material:

Case hardening steel with a tensile strength corresponding at least to 20 MoCr4 (900 N/mm²).

See also SAE 8620 for further information on steel material.

Hardening specification:

- On the surface: HV = 750 ±50
- 7 ±2 mm under the surface: HV = 560



*Finished dimensions (when hardened)

Internal involute spline data
 Standard ANS B92. 1-1970, class 5
 (corrected $m \cdot x = 0.8$; $m = 2.1166$)

Fillet root side fit		mm [in]
Number of teeth	z	12
Pitch	DP	12/24
Pressure angle	D	30°
Pitch dia.		25.4 [1.0]
Major dia.	D_{ri}	$28.0^{0}_{-0.1}$ [$1.10^{0}_{-0.1}$]
Form dia. (min.)	D_{fi}	27.6 [1.09]
Minor dia	D_i	$23.0^{0.033}_{0}$ [$0.9055^{+.0013}_{0}$]
Space width (circular)	L_o	4.308 ± 0.020 [0.1696 ± 0.0008]
Tooth thickness (circular)	S_o	2.341 [0.09217]
Fillet radius	$R_{min.}$	0.2 [0.008]
Max. measurement between pins*	l	$17.62^{+0.15}_{0}$ [$0.700^{0}_{-0.06}$]
Pin dia	d	4.835 ± 0.001 [0.1903 ± 0.00004]

General data

Drain connection on OMSU or attached component

The case pressure is released to the motor return pressure by the motor drain hole (ø 5 mm) and the incorporated check valves.

A drain line ought to be used when pressure in the return line can exceed the permissible pressure on the shaft seal of the attached component.

The drain line can only be connected to the drain connection of the attached component, i.e. the OMSU motor has no external drain connection.

The drain line on the attached component allows oil to flow freely between component and the motor.

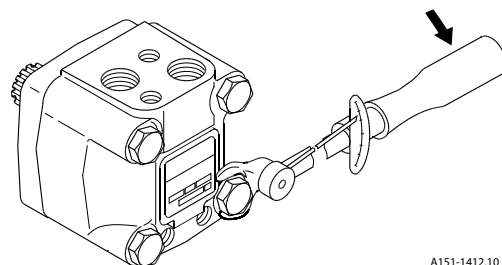
The drain line must be led to the tank in such a way that there is no risk of the motor and attached component being drained of oil during operational stop.

The maximum pressure in the drain line is limited by the attached component and its shaft seal.

Installing OMSU

To ensure that the splines connection of the cardan shaft receive sufficient oil, we recommended a conical sealing between shaft of the attached component and the motor intermediate plate as well as an oil circulation the attached component (see page 3). The conical sealing ring (code no. 633B9023) is supplied with the motor. We further recommend O-ring seal between motor and the counter part. The O-ring (code no. 633B1396) is supplied with the motor.

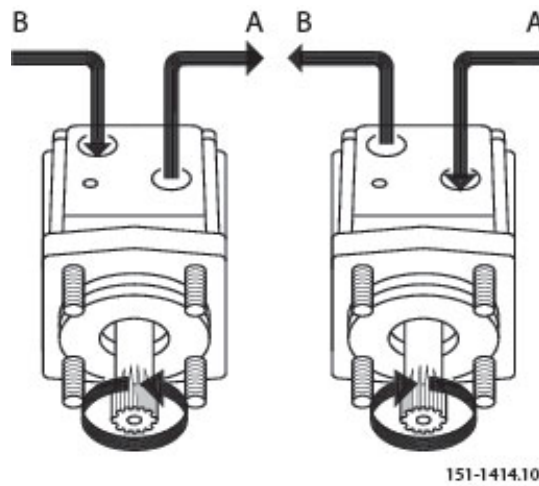
Mounting



Max. tightening torque	
75 ⁺⁵ ₀ Nm	[660 ⁺⁵⁰ ₀ lbf•in]

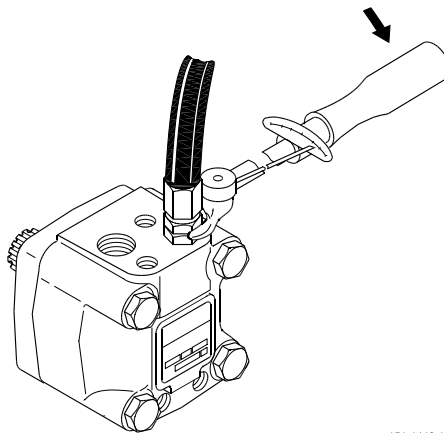
General data

Direction of rotation



Maximum tightening torque

Maximum tightening torque	
Screwed connection	G 1/2 [7/8-14 UNF]
with steel washer	130 N•m [1150 lbf•in]
with aluminium washer	70 N•m [620 lbf•in]
with cutting edge	130 N•m [1150 lbf•in]
with O-ring Boss port	70 N•m [620 lbf•in]



Checking OMSU

In order to make sure that the OMSU counterpart is correct, the drainflow should be measured on the first of each new application. Any subsequent modification of the counterpart should imply new checking. When the motor is fitted onto the counterpart with the correct tightening torque, the drain flow is measured at $Q = 30 \text{ l/min}$ and an oil viscosity of $35 \text{ mm}^2/\text{s}$ at differential pressure:

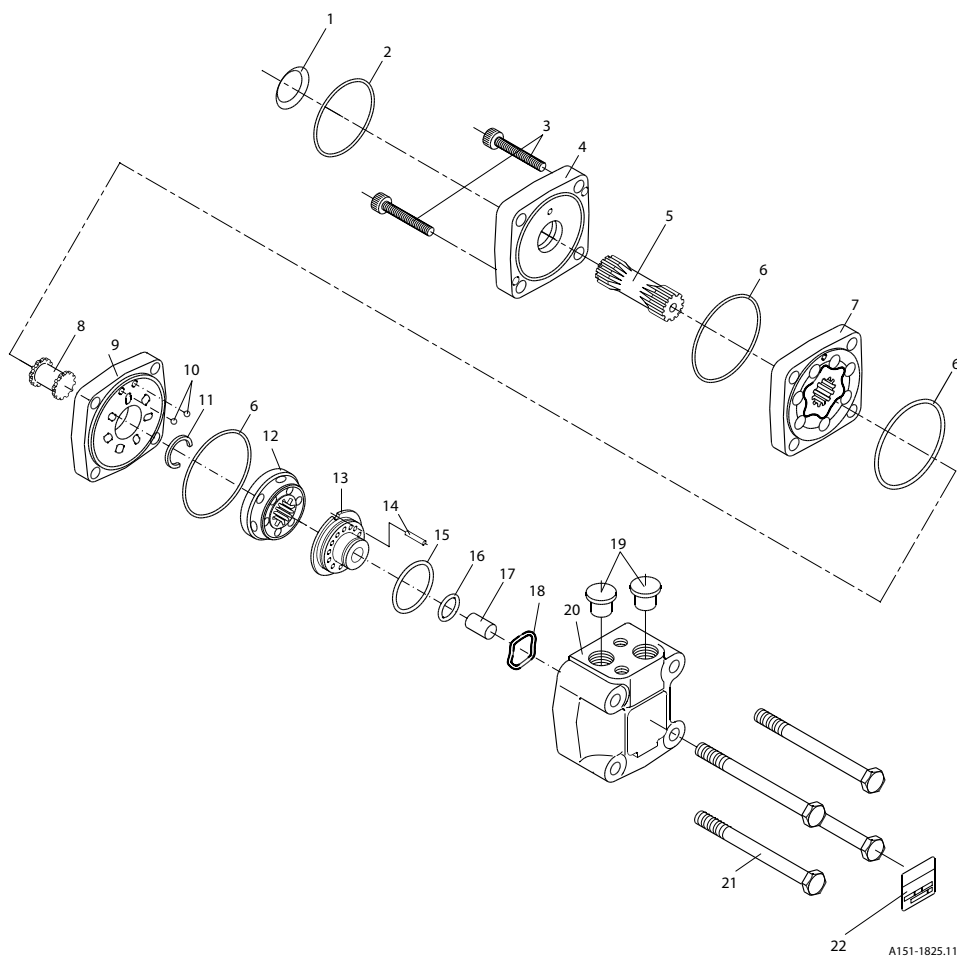
Technical Information **OMSU Series 3 Orbital Motor**

General data

Motor	Differential pressure
OMSU 80 - 160	140 bar
OMSU 200	110 bar
OMSU 250	90 bar
OMSU 315	70 bar
OMSU 400	55 bar

After minimum 5 min. of operation the drainflow shall be minimum 0.03 l/min and maximum 1.00 l/min at maximum pressure of bar 6 in the drain line during testing.

Exploded view OMSU



Tightening torque

Item 21:	75 - 80 Nm [660 - 705 lbf·in]
----------	-------------------------------

General data
OMSU spare parts list
OMSU spare parts list

Item	Spare parts		Code number	Number per motor
1	Seal ring		633B9023	1
2	O-ring	74 x 3 mm NBR ISO 1629	633B1396	1
3	Screw M5			
	OMSU 80	L = 45 mm	681X1512	2
	OMSU 100	L = 50 mm	681X1702	2
	OMSU 125	L = 55 mm	681X9282	2
	OMSU 160	L = 60 mm	681X1703	2
	OMSU 200	L = 70 mm	681X0354	2
	OMSU 250	L = 80 mm	681X0568	2
4	Intermediate plate		151F1717	1
5	Cardan shaft			
	OMSU 80	l = 70 mm	11075495	1
	OMSU 100	l = 73 mm	11077519	1
	OMSU 125	l = 78 mm	11077838	1
	OMSU 160	l = 84 mm	11075528	1
	OMSU 200	l = 91 mm	11077921	1
	OMSU 250	l = 99.5 mm	11077919	1
6	O-ring	82.5 x 2 mm NBR ISO R 1629	633B1431	3
7	Gearwheel set			
	OMSU 80	w = 14 mm	151F1091	1
	OMSU 100	w = 17 mm	151F1092	1
	OMSU 125	w = 22 mm	151F1093	1
	OMSU 160	w = 28 mm	151F1094	1
	OMSU 200	w = 35 mm	151F1095	1
	OMSU 250	w = 44 mm	151F1096	1
8	Valve drive		11030924	1
9	Channel plate		151F1822	1
10	Check valve ball	ø 3/16 in	689X1005	2
11	Stop ring (only OMSU 200, 250, 315 and 400)		151F1542	1
12	Disc valve		151F1022	1
13	Balance plate		151F1738	1
14	Guide pin	ø 4 mm l = 20 mm DIN 1481	682L9105	1
15	O-ring 45 x 2 mm			
	NBR, ISO R 1629		633B1429	1
	FPM, ISO R 1629		633B1455	1
16	O-ring 24 x 2 mm			
	NBR, ISO R 1629		633B1428	1
	FPM, ISO R 1629		633B1453	1
17	Spacer		151F1449	1
18	Spring washer		684X0097	1

General data
OMSU spare parts list (continued)

Item	Spare parts	Code number	Number per motor	
19	Seal plug G 1/2	633X0074	2	
20	Valve housing	151F1803	1	
21	Screw M10			
	OMSU 80, 100, 125	l = 120 mm	681X1349	4
	OMSU 160	l = 130 mm	681X1350	4
	OMSU 200	l = 140 mm	681X1352	4
	OMSU 250	l = 150 mm	681X1353	4
22	Name plate			
A	Set of seals items 1, 6, 15, 16	151F0103		
B	Set of seals items 1, 2	151F1020		
NBR: (Buna N, Perbunan); FPM (Viton)				



Products we offer:

- Bent Axis Motors
- Closed Circuit Axial Piston Pumps and Motors
- Displays
- Electrohydraulic Power Steering
- Electrohydraulics
- Hydraulic Power Steering
- Integrated Systems
- Joysticks and Control Handles
- Microcontrollers and Software
- Open Circuit Axial Piston Pumps
- Orbital Motors
- PLUS+1® GUIDE
- Proportional Valves
- Sensors
- Steering
- Transit Mixer Drives

Danfoss Power Solutions is a global manufacturer and supplier of high-quality hydraulic and electronic components. We specialize in providing state-of-the-art technology and solutions that excel in the harsh operating conditions of the mobile off-highway market. Building on our extensive applications expertise, we work closely with our customers to ensure exceptional performance for a broad range of off-highway vehicles.

We help OEMs around the world speed up system development, reduce costs and bring vehicles to market faster.

Danfoss – Your Strongest Partner in Mobile Hydraulics.

Go to www.powersolutions.danfoss.com for further product information.

Wherever off-highway vehicles are at work, so is Danfoss.

We offer expert worldwide support for our customers, ensuring the best possible solutions for outstanding performance. And with an extensive network of Global Service Partners, we also provide comprehensive global service for all of our components.

Please contact the Danfoss Power Solution representative nearest you.

Comatrol

www.comatrol.com

Schwarzmueller-Inverter

www.schwarzmueller-inverter.com

Turolla

www.turollaocg.com

Valmova

www.valmova.com

Hydro-Gear

www.hydro-gear.com

Daikin-Sauer-Danfoss

www.daikin-sauer-danfoss.com

Local address:

Danfoss Power Solutions US Company

2800 East 13th Street
Ames, IA 50010, USA
Phone: +1 515 239 6000

Danfoss Power Solutions GmbH & Co. OHG

Krokamp 35
D-24539 Neumünster, Germany
Phone: +49 4321 871 0

Danfoss Power Solutions ApS

Nordborgvej 81
DK-6430 Nordborg, Denmark
Phone: +45 7488 2222

Danfoss Power Solutions (Shanghai) Co., Ltd.

Building #22, No. 1000 Jin Hai Rd
Jin Qiao, Pudong New District
Shanghai, China 201206
Phone: +86 21 3418 5200

Danfoss can accept no responsibility for possible errors in catalogues, brochures and other printed material. Danfoss reserves the right to alter its products without notice. This also applies to products already on order provided that such alterations can be made without changes being necessary in specifications already agreed.. All trademarks in this material are property of the respective companies. Danfoss and the Danfoss logotype are trademarks of Danfoss A/S. All rights reserved.