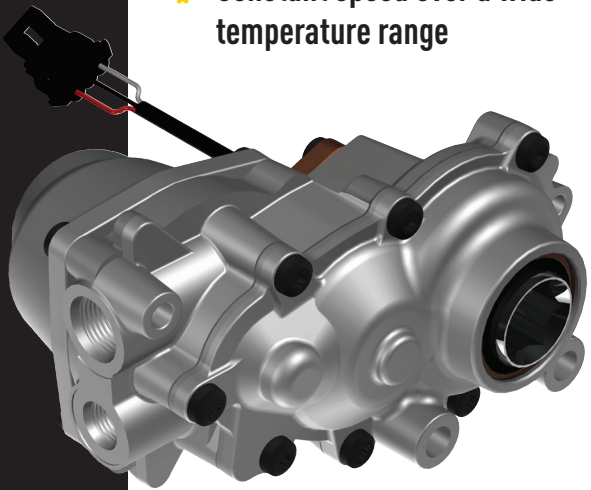


# AGM6 MOTOR

## OPTIMAL TRANSFER OF POWER

- ⚙️ A compact fixed-displacement axial piston motor.
- ⚙️ Uni-directional or Bi-directional configuration
- ⚙️ Low-speed operation—down to 1-2 rpm
- ⚙️ Speed sensor output allows for precise RPM control
- ⚙️ Constant speed over a wide temperature range



**HYDRO-GEAR®**  
**COMMERCIAL**

**DESIGNED & ASSEMBLED IN THE USA**

# COMPACT AXIAL PISTON MOTOR

## SPECIFICATIONS

<b>Geometric Displacement</b>	<b>2.0 in<sup>3</sup> [32 cc/rev]</b>
<b>Pressure Rating</b>	
Continuous	950 psi [65 bar]
Intermittent	1450 psi [100 bar]
Peak	1800 psi [124 bar]
<b>Output Speed</b>	
Continuous	120 rpm
Peak	360 rpm
<b>Torque</b>	
Continuous	15 ft-lb
Peak	26 ft-lb
<b>Case Pressure</b>	
Continuous	200 psi [14 bar]
Peak	300 psi [21 bar]
<b>Weight</b>	4.5 lbs [2 kg]
<b>Output Shaft</b>	7/8 in. Hex
<b>Speed Sensor Options</b>	Deutsch or Delphi

*Specifications subject to change without notice*



AGM6-09/2016-V1

**FOR MORE INFORMATION VISIT:  
WWW.HYDRO-GEAR.COM**

