

# HC2W miniBOOSTER



**HC2W versions:** 11 different intensification factors

**P<sub>IN</sub>:** Inlet pressure 20-207 bar

**P<sub>H</sub>:** 800 bar maximum (outlet pressure)

**P<sub>RETURN</sub>:** As low as possible (return pressure to tank)

**P<sub>OUTLET</sub>:**  $P_H = (P_{IN} - P_{RETURN}) \cdot i$  (intensification)

**Mounting:** Inline tube

**Accessories:** Pilot- operated dump valve available

**A model** = no dump valve

**B model** = with dump valve

**G model** = direct proportionally controlled

## Description

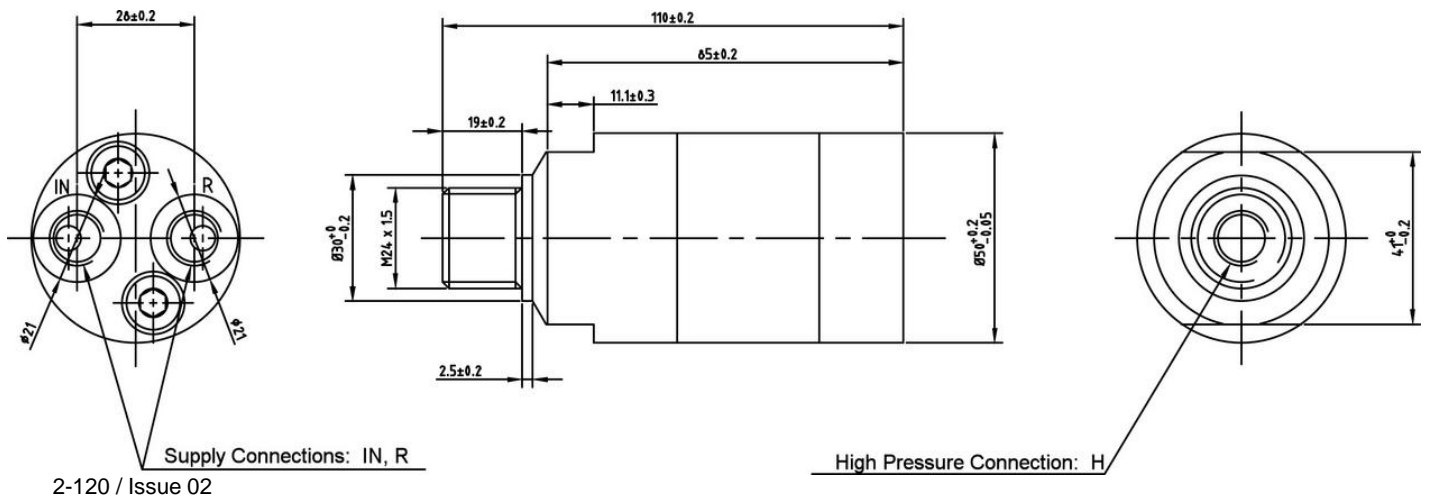
The HC2W is a compact stainless steel unit weighing only 1.0 kg. It is ideal for use in a variety of applications where building and maintaining high pressure is required.

The HC2W raises supplied pressure to a higher outlet pressure and automatically compensates for consumption to maintain the high pressure. Adjustment of the outlet pressure is carried out by varying the supplied pressure.

## Flow rates

| Intensification factor<br><i>i</i> | Max. outlet flow<br>l/ min | Max. inlet flow<br>l/ min |
|------------------------------------|----------------------------|---------------------------|
| 1.2                                | 1.2                        | 8.0                       |
| 1.5                                | 1.0                        | 8.0                       |
| 2.0                                | 0.8                        | 8.0                       |
| 2.8                                | 0.6                        | 8.0                       |
| 3.2                                | 2.5                        | 15.0                      |
| 4.0                                | 2.0                        | 14.0                      |
| 5.0                                | 1.6                        | 14.0                      |
| 6.6                                | 1.3                        | 13.0                      |
| 9.0                                | 0.9                        | 13.0                      |
| 13.0                               | 0.6                        | 12.0                      |
| 20.0                               | 0.3                        | 12.0                      |

## Dimensions



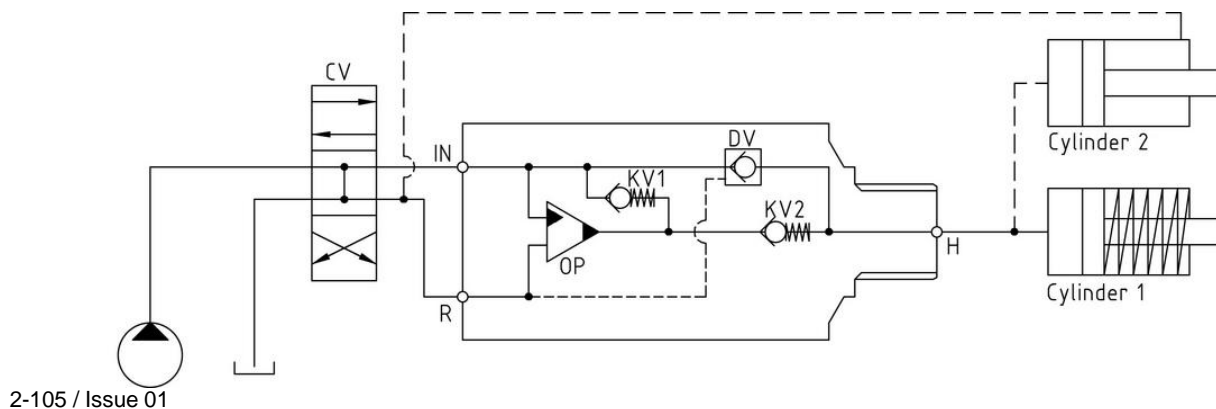
2-120 / Issue 02

## Functions

The basic operation is illustrated in the function diagram. Media is fed through the directional valve CV to the IN port, flowing freely through the check valves KV1, KV2 and DV to the high- pressure side H. In this condition maximum flow through the booster is achieved giving a fast-forward function.

When pump pressure is reached on the high- pressure side H, valves KV1, KV2 and DV will close. The end pressure will be achieved by the oscillating pump unit OP. The unit will automatically stall when end pressure on high- pressure side H is reached. If a pressure drop on the high- pressure side exists due to consumption or leakage, the OP valve will automatically operate to maintain the end pressure.

## Function diagram



## Connection types

| Connection | IN / R    | H         |
|------------|-----------|-----------|
| 1          | 1/4" BSPP | 1/4" BSPP |

## Max. tightening torque BSPP

|                             | IN / R     | H          |
|-----------------------------|------------|------------|
|                             | 1/4" BSPP  | 1/4" BSPP  |
| with stainless steel washer | 4.0 da/ Nm | 4.0 da/ Nm |

## Fluids and materials

Please see: General specifications

## Ordering an HC2W

Ordering example of an HC2W with  $i = 4.0$ , DV incorporated and BSPP connections:

HC2W - 4.0 - B - 1 for media  $< 5 \text{ cSt (mm}^2/\text{s)}$  tested in water

HC2W - 4.0 - B - 1S for media  $> 5 \text{ cSt (mm}^2/\text{s)}$  tested in hydraulic oil

| Model | Intensification, $i$                     | Dump valve   | Connections            |
|-------|--|--|------------------------|
| HC2W  | your selection...<br>see flow rate table | your selection...<br>A = (no) /A model<br>B = (yes) /B model<br>G = (proportional)/G model | your selection...<br>1 |