

HC9D2W miniBOOSTER



HC9D2W versions: 5 different intensification factors

P_{IN}: 20 – 207 bar (inlet pressure)

P_H: 1380 bar maximum (outlet pressure)

P_{RETURN}: As low as possible (return pressure to tank)

P_{OUTLET}: $P_H = (P_{IN} - P_{RETURN}) \times i$ (intensification)

The intensification factor i is related to the inlet pressure of media 2, the values in the table are measured at 1 bar on media 2

Drain connections: Max. 10 bar

Mounting: Inline tube

A model = no dump valve

Description

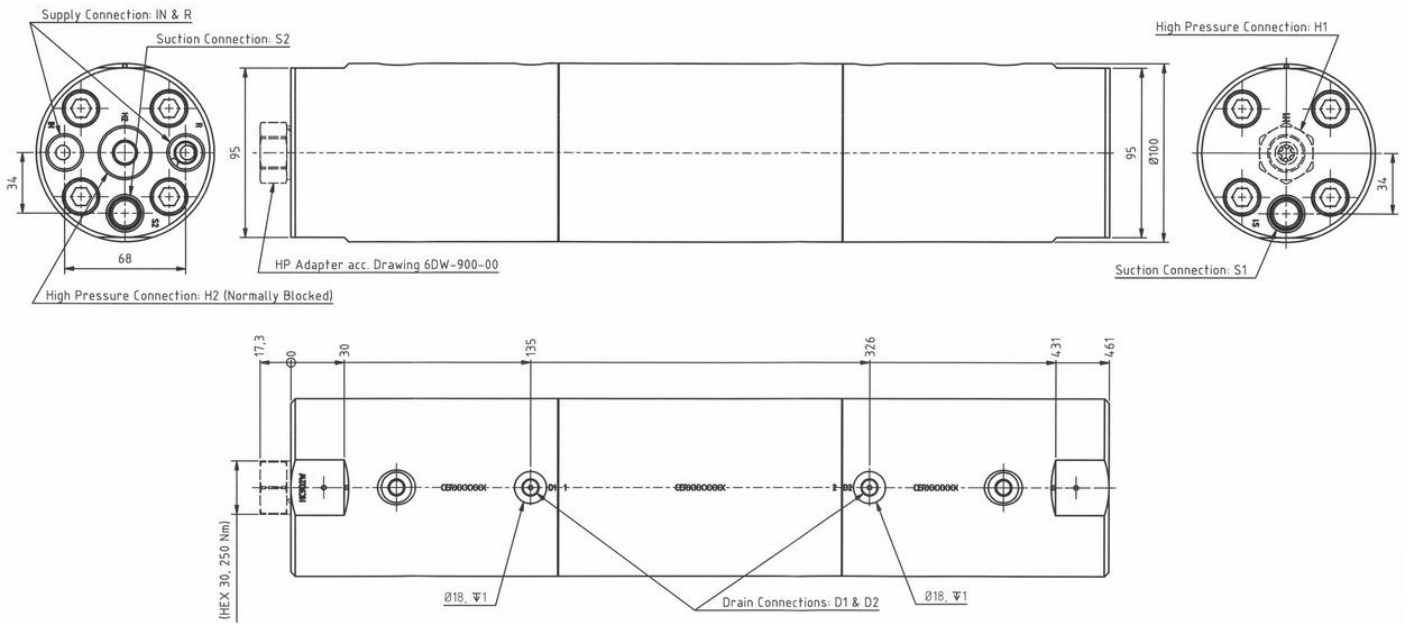
The HC9D2W is a stainless steel dual media unit which is capable of delivering up to 5.6 l/ min flow on the high pressure end. Like other miniBOOSTER models, the HC9D2W raises supplied pressure to a higher outlet pressure and automatically compensates for consumption of oil to maintain the high pressure.

Adjustment of the outlet pressure is carried out by varying the supplied pressure. Relative to its flow capability, the HC9D2W is a compact unit weighing 25 kg.

Flow rates

Intensification factor i	Max. outlet flow l/ min	Max. inlet flow l/ min
5.2	5.6	30.0
7.1	4.1	30.0
10.1	3.0	30.0
12.2	2.4	30.0
15.0	2.0	30.0

Dimensions



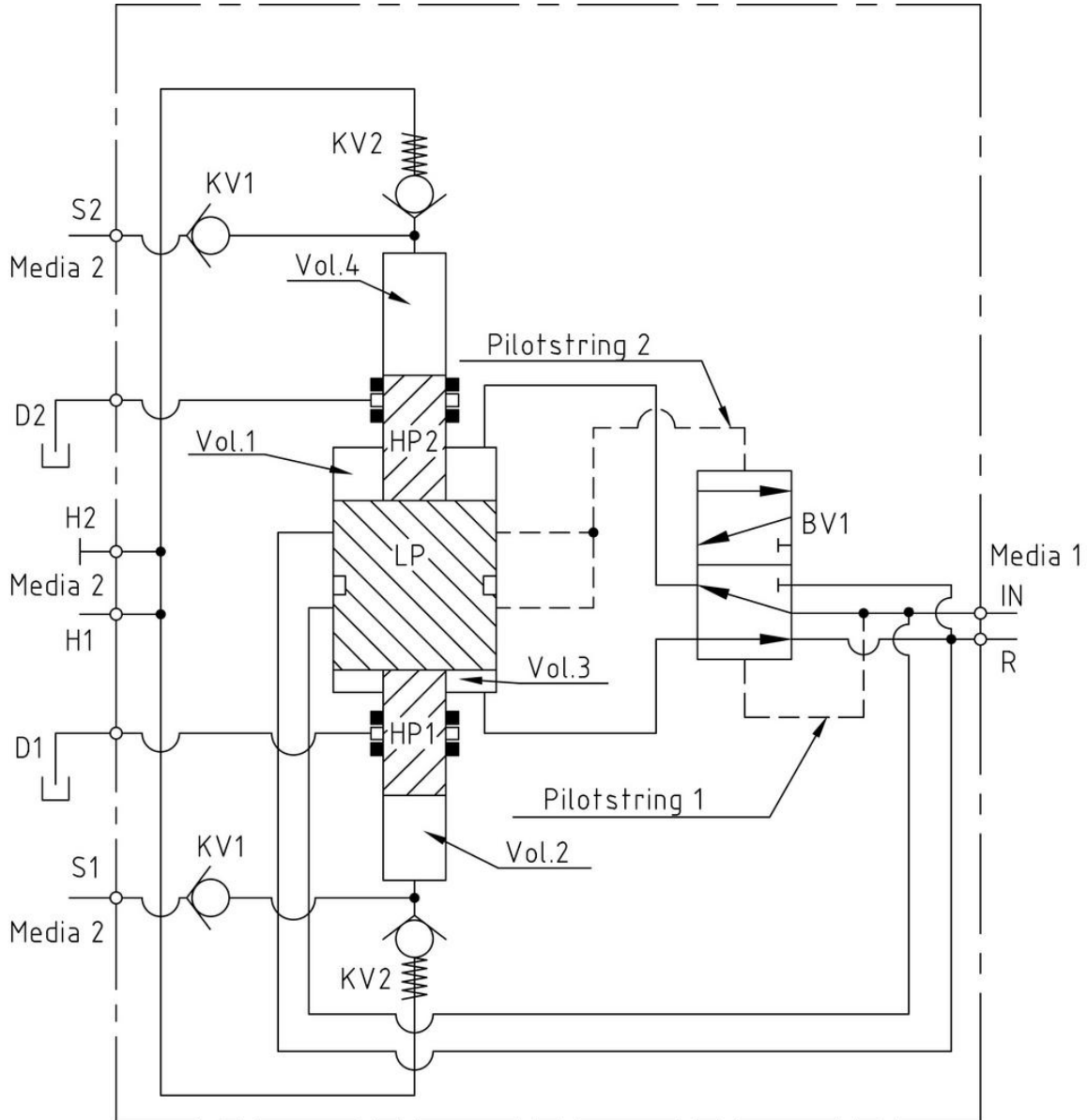
9D2W-120-05

Functions

The basic operation is illustrated in the function diagram. Media 1 is fed through the IN port flowing freely through the bistable valve BV1 driving the LP pistons. From the suction inlet IN Media 2 is drawn through the check valves 2 x KV1, and pumped through the 2 x KV2 to the high-pressure side H. In this condition maximum flow through the booster is achieved giving a fast-forward function.

The unit will automatically stall when end pressure on high-pressure side H is reached. If a pressure drop on the high-pressure side exists due to consumption or leakage, the HP1 and HP2 units will automatically operate to maintain the end pressure.

Function diagram



0-122-04

Connection types

Connection	IN / R	H1 & H2	S1 & S2	D1 & D2
1	1/2" BSPP	M30 x 1.5	1/2" BSPP	1/8" BSPP

Max. tightening torque BSPP

	IN / R	H1 & H2	S1 & S2	D1 & D2
	1/2" BSPP	M30 x 1.5	1/2" BSPP	1/8" BSPP
with steel washer	13.0 da/ Nm	2.5 da/ Nm	13.0 da/ Nm	2.0 da/ Nm
with aluminium washer	7.0 da/ Nm	–	–	2.0 da/ Nm
with cutting edge	13.0 da/ Nm	–	13.0 da/ Nm	2.0 da/ Nm

High pressure adapters

Ordering Code	Male connection 1	Female connection 2	Max. pressure	Tightening torque
6DW-816	M30 x 1.5	1/2" BSPP	800 bar	250 Nm
6DW-817	M30 x 1.5	13/16" - 16 UNF	1380 bar	250 Nm
6DW-819	M30 x 1.5	3/4" - 16 UNF	2070 bar	250 Nm
6DW-820	M30 x 1.5	1/4" NPT	1380 bar	250 Nm



Download PDF file: **6DW-900-02 HP Adapter possibilities**

Fluids

Media 1: Recognized hydraulic fluids, glycol solutions (Min > 5%)

Media 2: Hydraulic fluids, glycol, water, sea water

Please note! For other media, such as methanol, please contact miniBOOSTER

Materials

- Body & internal components: Stainless steel 316 W.1.4404 - Material certificate 3.1 on request
- Dynamic seals, see table

Dynamic seals

Code	Media 1 & 2	Outlet pressure
HH	H- PUR / H- PUR	Max 800 bar HP
HP	H- PUR / PEEK	Max 1380 bar HP
EE	EPDM / EPDM	Max 500 bar HP
EP	EPDM / PEEK	Max 1380 bar HP
PP	PEEK / PEEK	Max 1380 bar HP

Ordering an HC9D2W

Ordering example of an HC9D2W with $i = 7.1$, with BSPP connections and H- PUR seals: HC9D2W - 7.1 - A - 1HH

Model	Intensification, i	Dump valve	Connections	Dynamic seals
HC9D2W	your selection...	your selection...	your selection...	your selection...
	see flow rate table	A = (no) / A model	1	see seal table